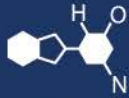


IF YOU...



MIX IT. FILL IT. PACK IT. SHIP IT.

WE HAVE A **PRODUCT** FOR YOU

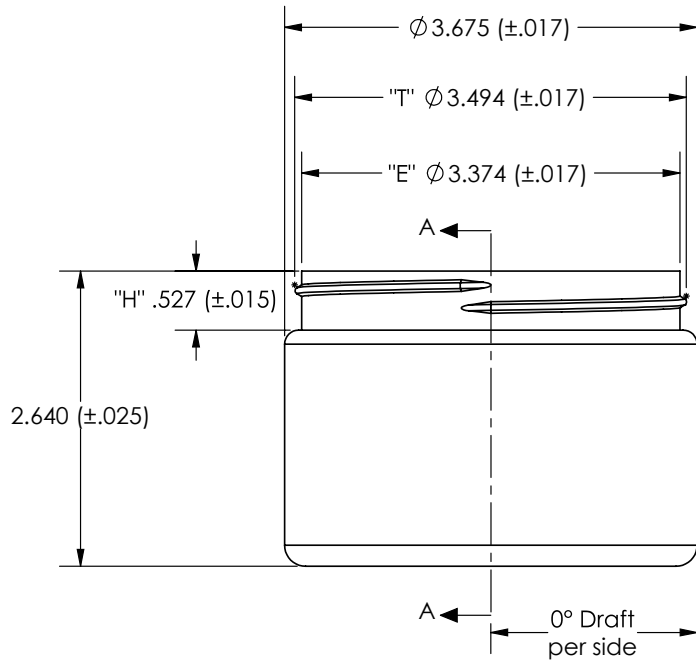
Part #: 67WW13



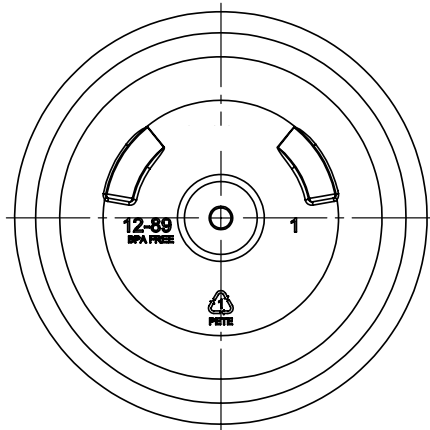
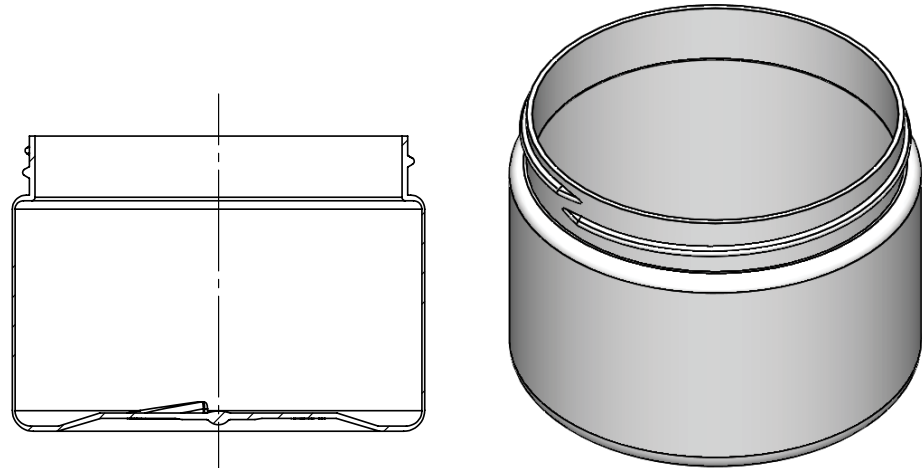
The
CARYCOMPANY
Est. 1895

1195 W. Fullerton Ave. | Addison, IL 60101 | T: 630.629.6600 | F: 630.629.3690 |

PROPRIETARY AND CONFIDENTIAL:
 THE INFORMATION CONTAINED IN THIS DRAWING IS THE SOLE PROPERTY OF THE CARY COMPANY.
 ANY REPRODUCTION IN PART OR AS A WHOLE WITHOUT THE WRITTEN PERMISSION OF THE CARY COMPANY IS PROHIBITED.



SECTION A-A



DRAWING NAME: PART DWG - 67WW13		REV: A	
PART NAME: 12 Oz 89mm 89-400 White PET Straight Sided Jar		PART #: 67WW13	
2019		BY: B.C.	DATE: 12/17/2019
The CARY COMPANY		CHECKED: P.M.	3/3/2020
Est. 1895		APPROVED: S.J.	3/3/2020
TOLERANCES (UNLESS SPECIFIED)		DIMENSIONS ARE IN INCHES	
THREAD PITCH: 5 T.P.I.		.00 = ±.015	
# OF THREAD TURNS: 1 FULL TURNS		.000 = ±.010	
DRAFT ANGLE: 0° Degree		ANGULAR TOLERANCE ± 1/2 DEGREE	
PROJECTED COSMETIC FILL: 338 (±11) mL 11.4 (±.4) OZ		THIRD ANGLE PROJECTION	
GATE LOCATION: EXTERIOR - CENTER		PART WEIGHT: 31.5 (±2) Grams	
PROJECTED OVERFLOW: 410 (±11) mL 13.9 (±.4) OZ		SHEET SCALE: FULL	
MATERIAL: PETE		SHEET SIZE: A	