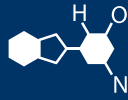


IF YOU...



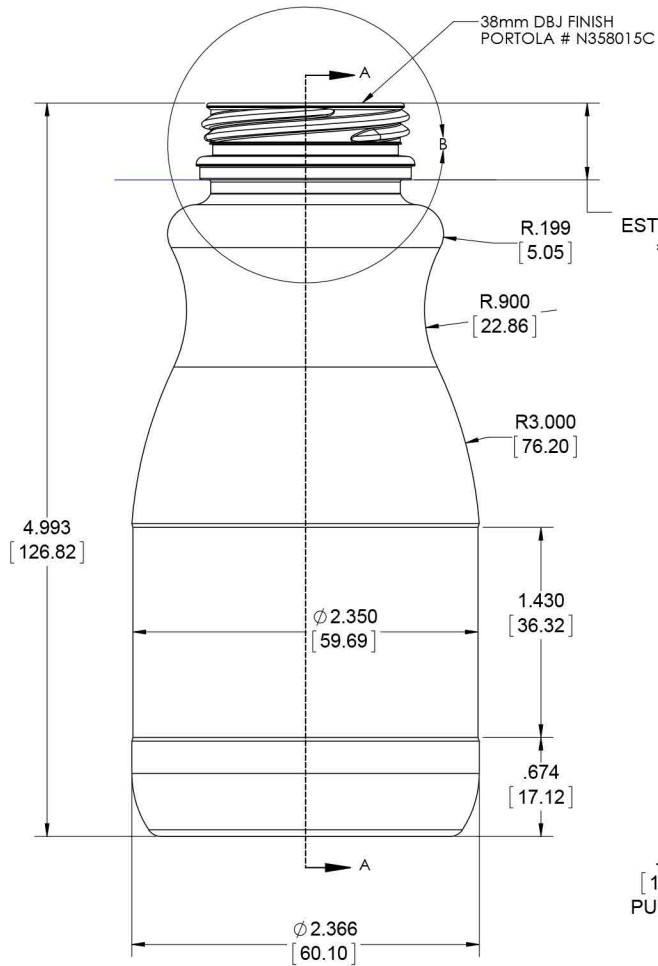
MIX IT. FILL IT. PACK IT. SHIP IT.

WE HAVE A **PRODUCT** FOR YOU

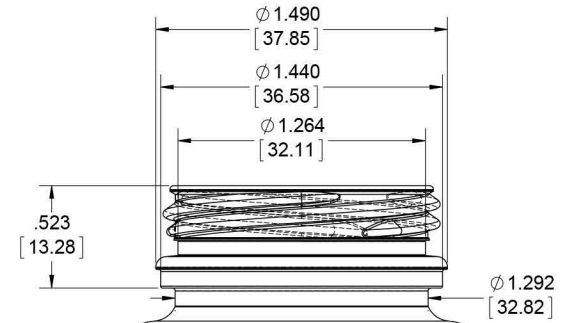
Part # 68W08D

8 oz. Clear PET Plastic Tamper Evident Round
Bottle, 38mm 358DBJ

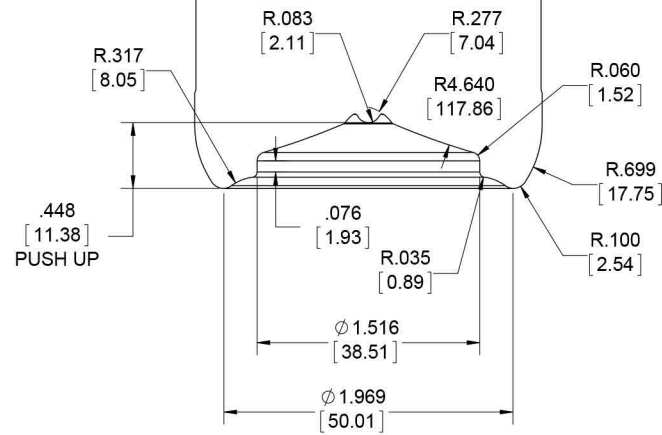




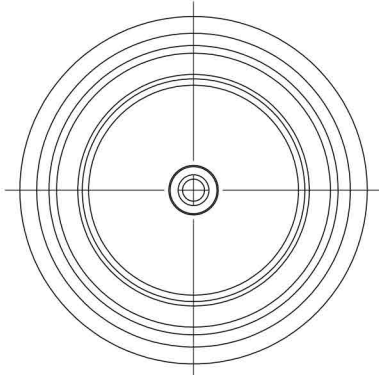
.523
[13.28]
EST. FILL POINT
=8.062oz



DETAIL B
SCALE 2 : 1



SECTION A-A
SCALE 1.5 : 1



The
CARYCOMPANY
Est. 1895

FILLPOINT VOLUME= 8.062oz		MATERIAL	PET
OVERFLOW VOLUME = 8.373oz		FINISH	38mm DBJ N358015C
PROPOSED PREFORM - 18.75g			
REF. 3 D MODEL FILE	1311-12-BD-C-00		
DRAWN	NAME	DATE	TITLE: 8oz Dairy 38mm DBJ
CHECKED	K.BARNES	1/26/12	
ENG APPR.			
MFG APPR.			
Q.A.			
COMMENTS:		SIZE	DWG. NO.
		C	1311-12-BD-C-00
		SCALE	REV
		1:1	