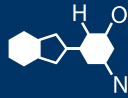


IF YOU...



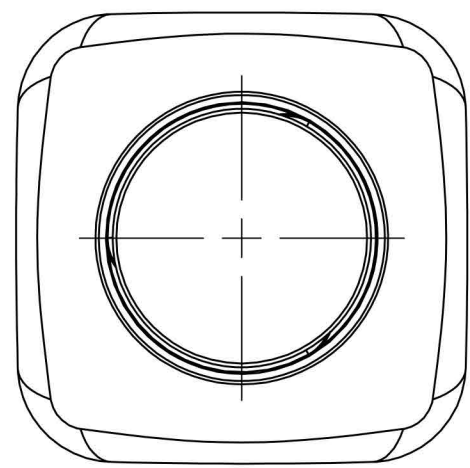
MIX IT. FILL IT. PACK IT. SHIP IT.

WE HAVE A **PRODUCT** FOR YOU

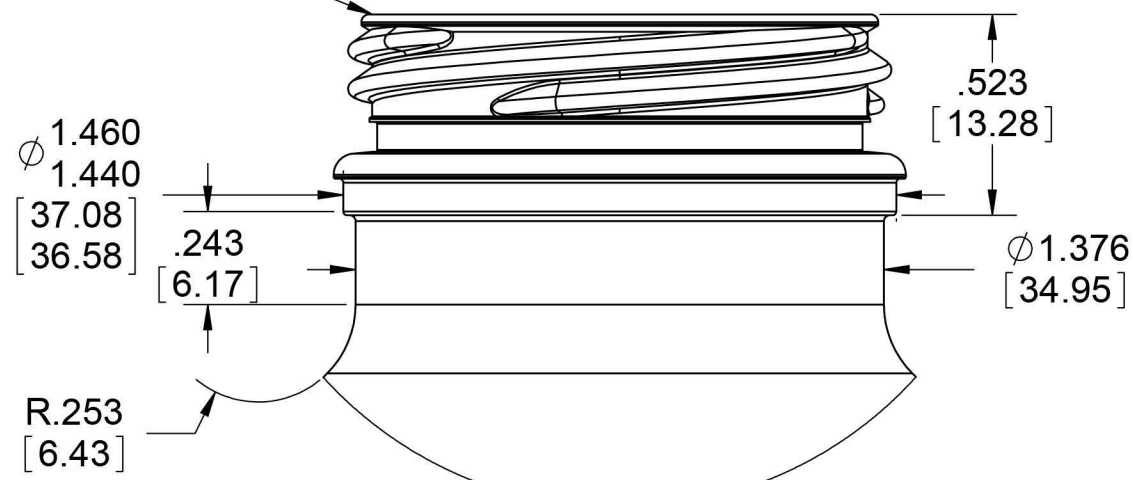
Part # 68W08S

8 oz. Clear PET Plastic Tamper Evident Square
Bottle, 38mm 358DBJ



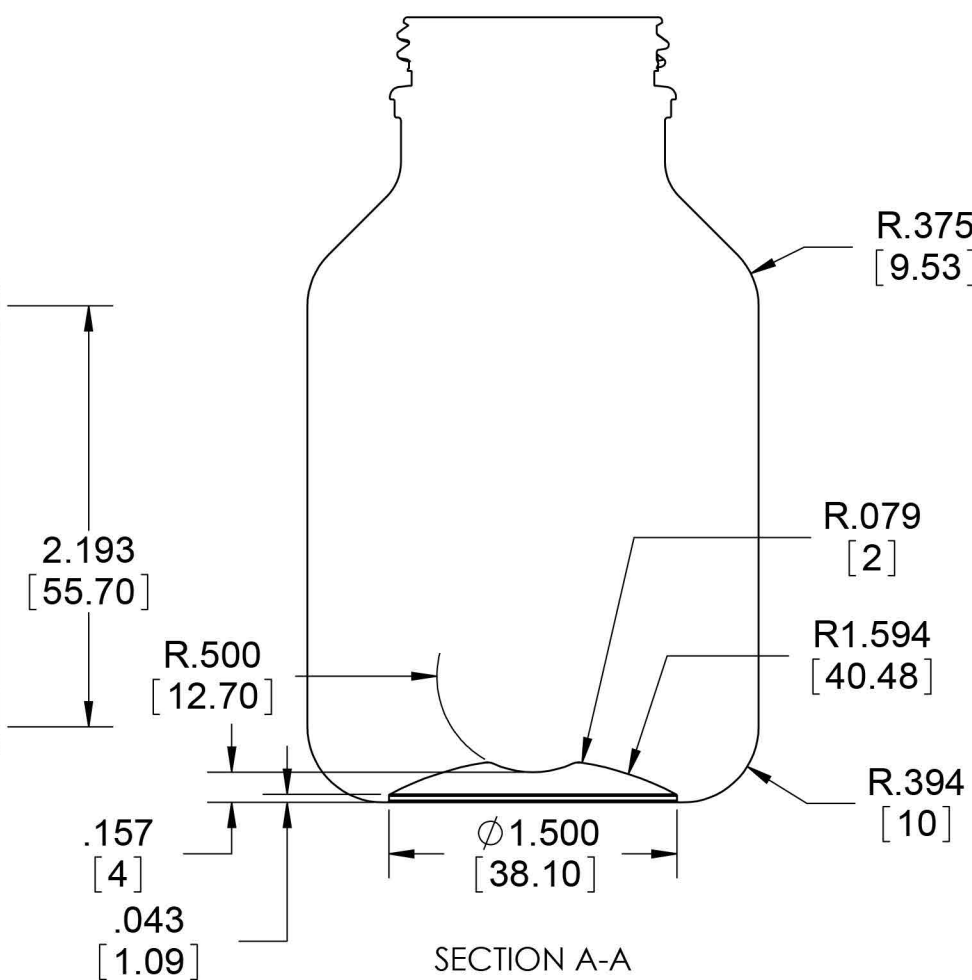
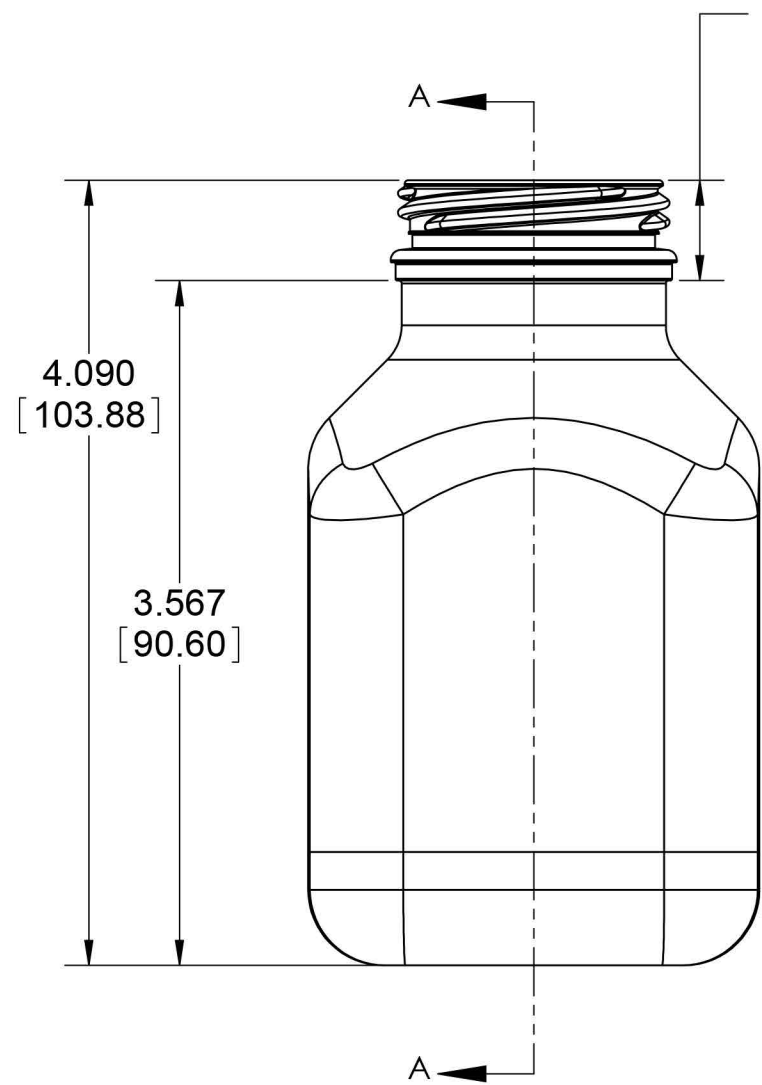


38MM-DBJ
REF. PORTOLA
N358015C



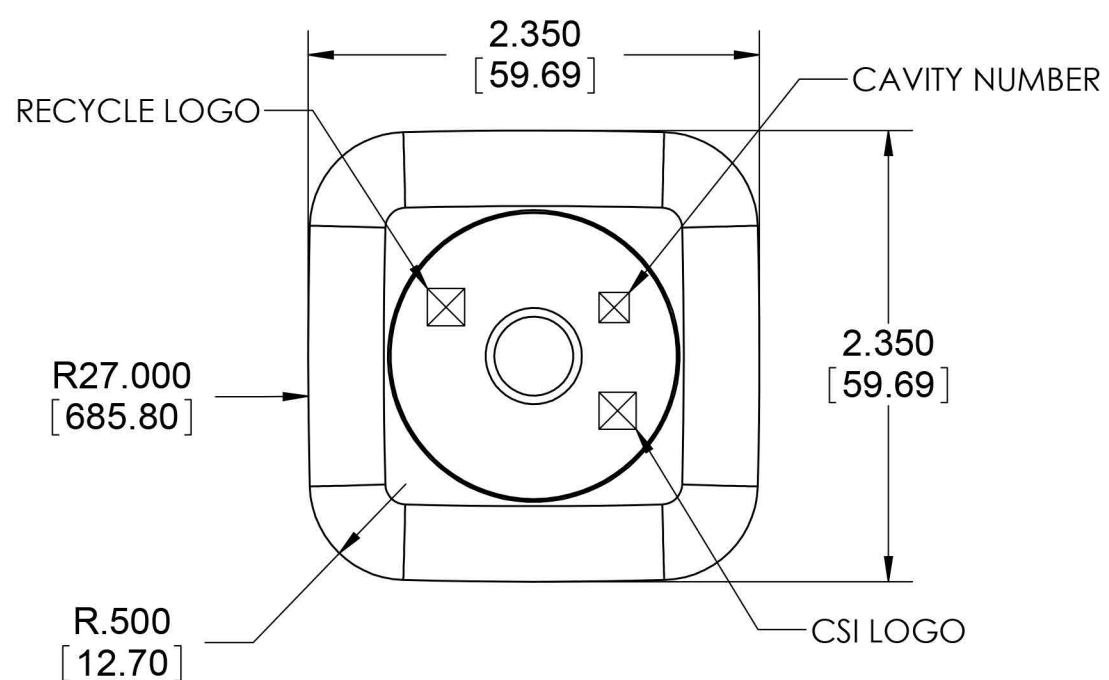
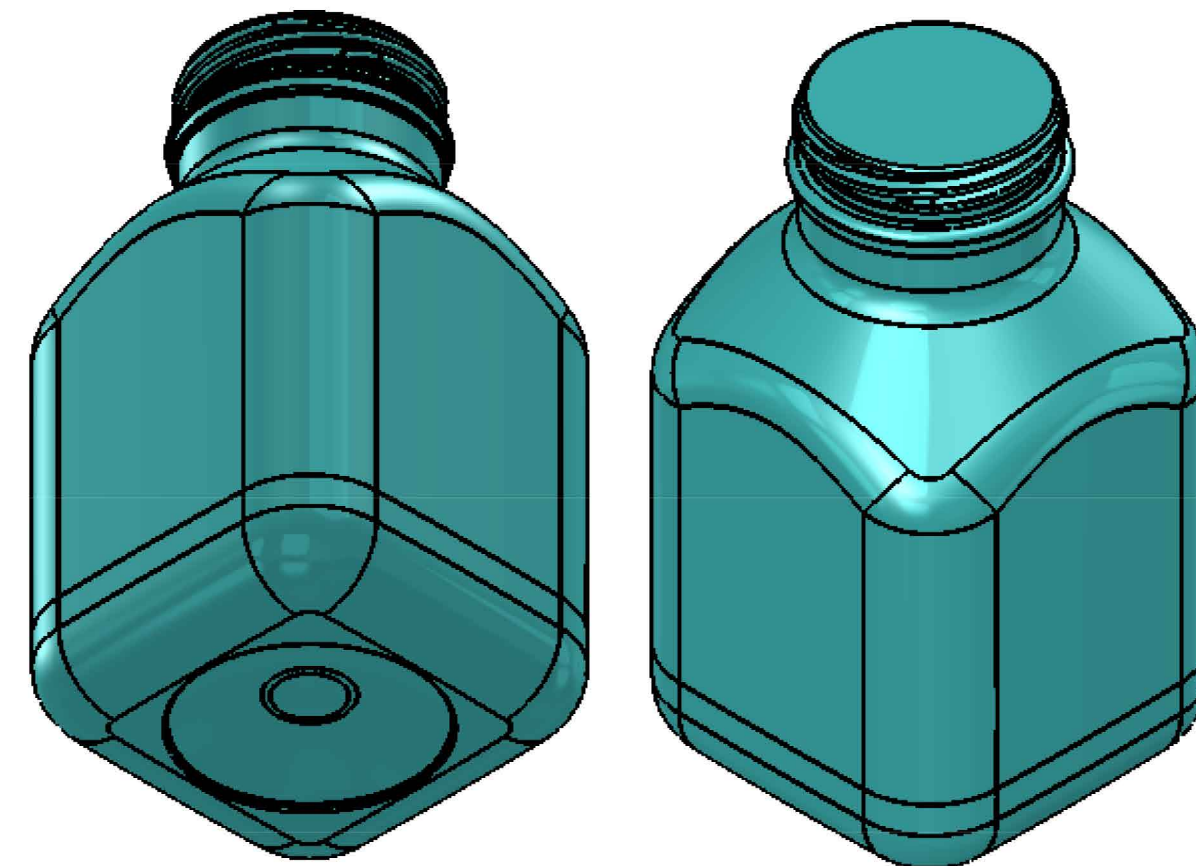
DETAIL B
SCALE 2:1

523 [13.28]
TARGET FILL POINT
8 FL.OZ. WATER



TOP OF 5-MM
VOLUME SHIM

.197 [5]



G:\Design\PR10\PR10-220 16-ounce Crompton Square B\released for manufacture 3-29-10\

The
CARY COMPANY
Est. 1895

FILLPOINT VOLUME= 246.0-ML / 8.3FL.OZ.		MATERIAL	PET
OVERFLOW VOLUME = 255.2-ML / 8.6-FL.OZ.		FINISH	
PROPOSED PREFORM 18.75-GRAM DBJ			
REF. 3 D MODEL FILE	0903-10-BD-M-06	0985-10-00	8oz
DRAWN	D.CONNOR	9/27/2010	TITLE: 8-OUNCE SQ. VERSION "B"
CHECKED			
ENG APPR.			
MFG APPR.			
Q.A.			
COMMENTS:		SIZE	DWG. NO.
PROJECT # PR10-220		C	REV
SCALE: 1:1		SHEET 1 OF 1	