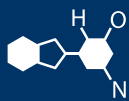


# IF YOU...



MIX IT. FILL IT. PACK IT. SHIP IT.

# WE HAVE A **PRODUCT** FOR YOU

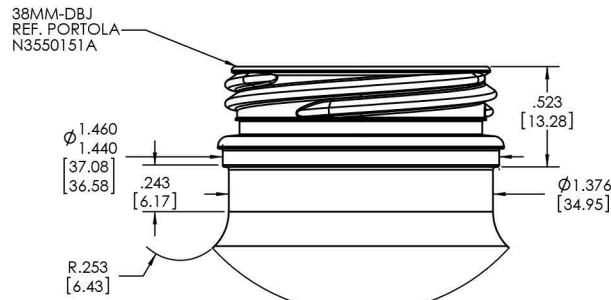
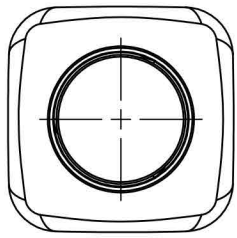
Part # 68W10S

---

10 oz. Clear PET Plastic Tamper Evident  
Square Bottle, 38mm 358DBJ

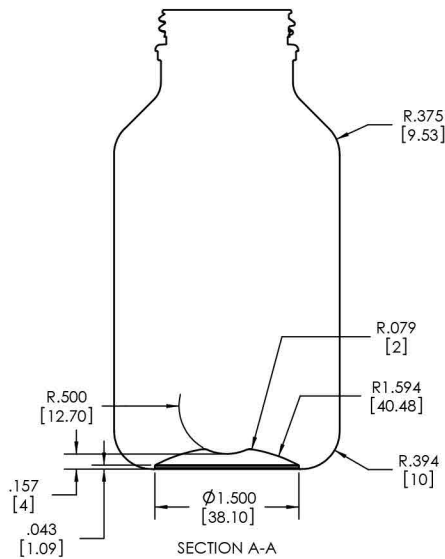
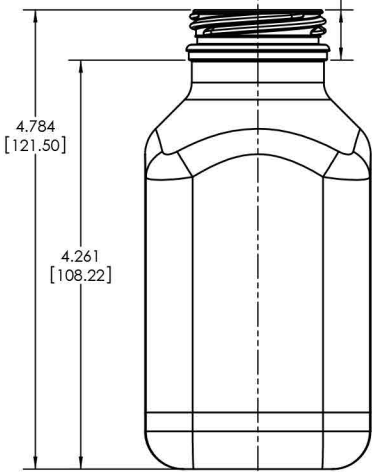
---





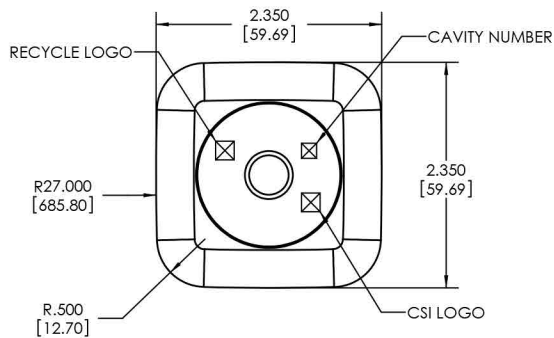
DETAIL B  
SCALE 2 : 1

.523 [13.28]  
TARGET FILL POINT  
16-FL.OZ. WATER



SECTION A-A

TOP OF 5-MM  
VOLUME SHIM



**CUSTOMER APPROVAL**

SIGNED \_\_\_\_\_ DATE \_\_\_\_\_

**PRELIMINARY PRINT**  
THIS CONCEPT DRAWING IS SUBJECT  
TO CHANGE

- NOTES:  
1. DIMENSIONS AND WEIGHT ARE SUBJECT TO CHANGE WITH FINAL VOLUMETRIC CALCULATIONS.  
2. FINAL VOLUME TOLERANCE TO BE DEFINED BY MFG. DATA.

FILLPOINT VOLUME= 305.8-ML / 10.3-FL.OZ.		MATERIAL	PET
OVERFLOW VOLUME = 315.0-ML / 10.7-FL.OZ.		FINISH	alternative
PROPOSED PREFORM 18.75-GRAM DBJ		PORTOLA DBJ	
REF. 3 D MODEL FILE 0903-10-BD-M-06 0986-10-00 10oz		N3580154	
DRAWN	D.CONNOR	NAME	DATE
CHECKED			9/20/2010
ENG APPR.		TITLE:	
MFG APPR.		10-OUNCE SQUARE BOTTLE	
DO NOT SCALE DRAWING		DESIGN CONCEPT VERSION B	
COMMENTS:		SIZE	DWG. NO.
		C	0986-10-BD-C-00
PROJECT # PR10-220		SCALE: 1:1	REV
			SHEET 1 OF 1