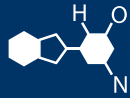


IF YOU...



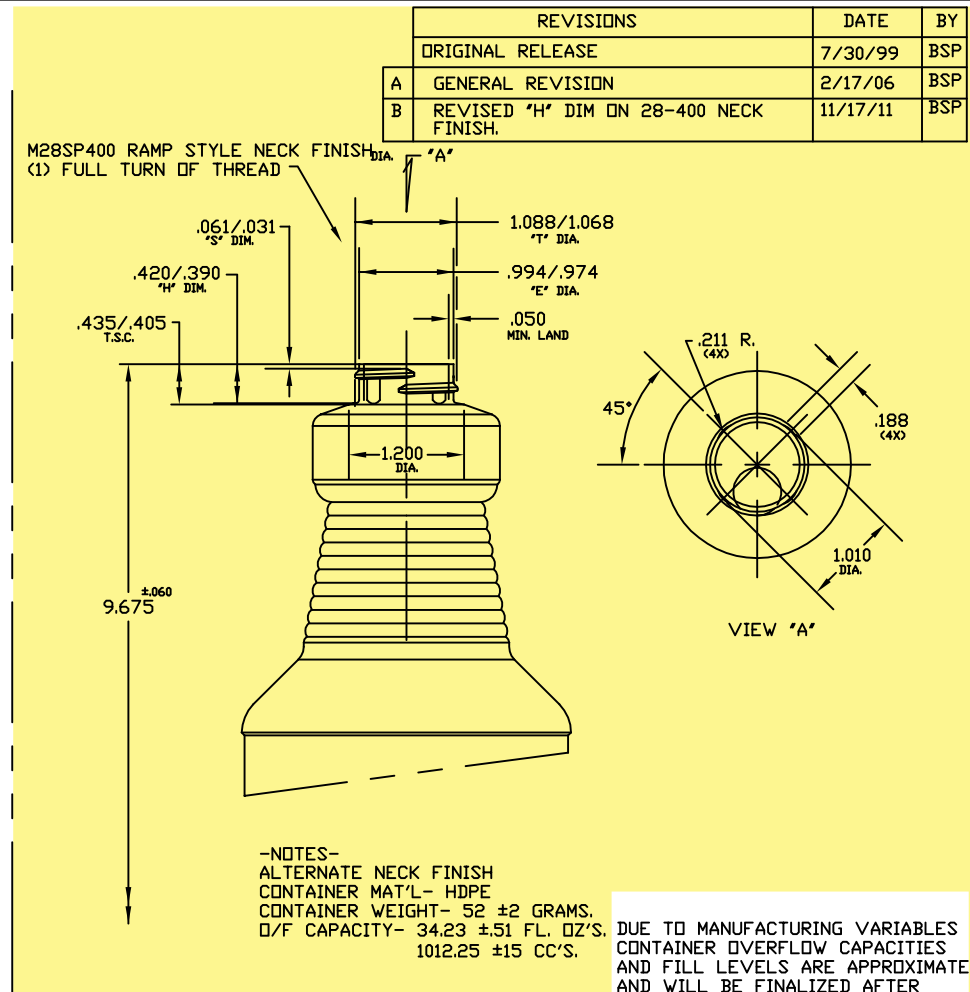
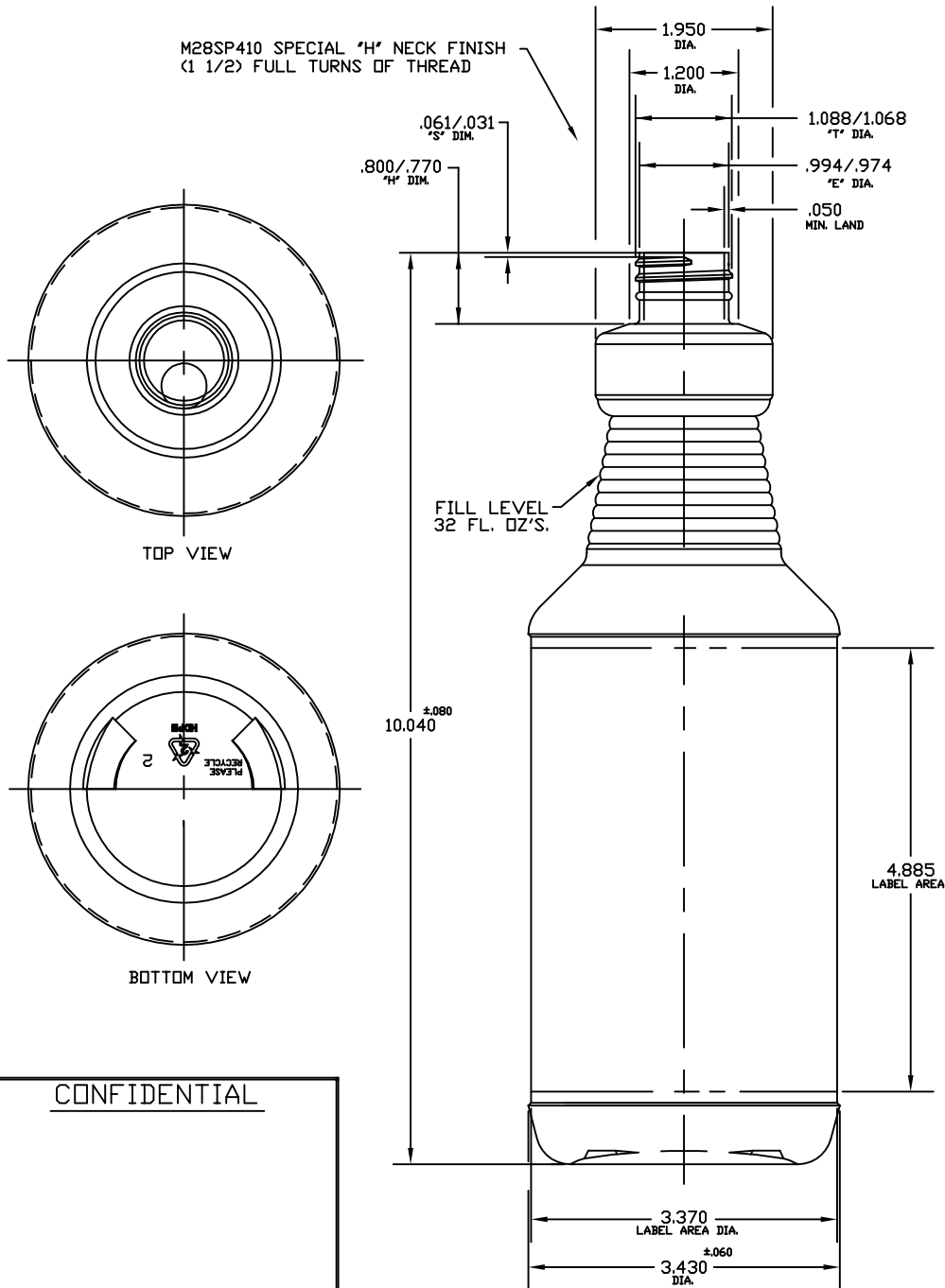
MIX IT. FILL IT. PACK IT. SHIP IT.

WE HAVE A **PRODUCT** FOR YOU

Part # 68W123

32 oz. White HDPE Plastic Carafe Bottle, 28mm
28-400





REVISIONS		DATE	BY
	ORIGINAL RELEASE	7/30/99	BSP
A	GENERAL REVISION	2/17/06	BSP
B	REVISED "H" DIM ON 28-400 NECK FINISH.	11/17/11	BSP

-NOTES-
CONTAINER MAT'L- HDPE
CONTAINER WEIGHT- 52 ±2 GRAMS.
O/F CAPACITY- 34.35 ±.51 FL. OZ'S.
1016.00 ±15 CC'S.

FINAL PRINT APPROVAL	
BY- _____	DATE- _____
_____	_____
_____	_____

CONFIDENTIAL

TITLE PART 32 FL. OZ. HDPE #102 RINGED CARAFE		JOB #	
SCALE 1:1/NOTED		DRW BSP	DATE 11/17/11
MPL SEE NOTES		CHK	APPROV. DATE
REFERENCE DWG #	DWG # PBC-281S	REVISION	B