

IF YOU...



MIX IT. FILL IT. PACK IT. SHIP IT.

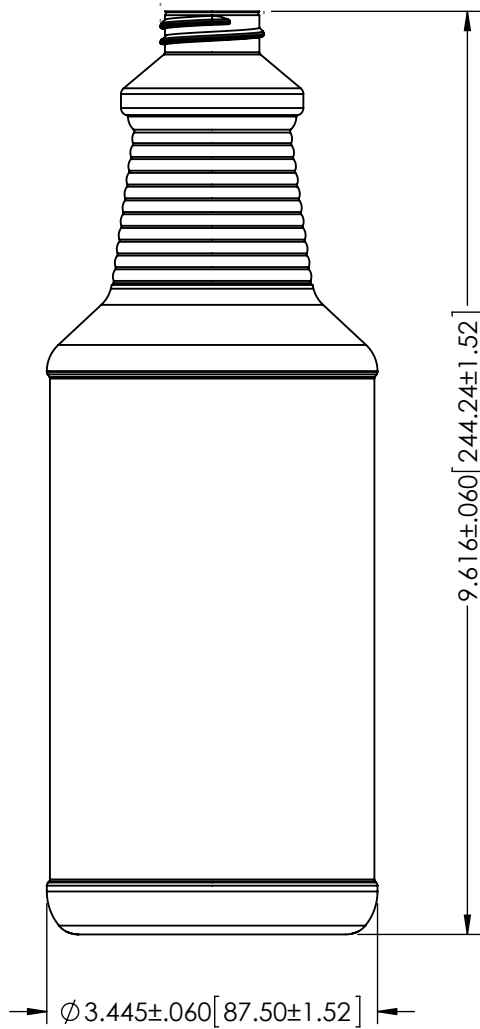
WE HAVE A **PRODUCT** FOR YOU

Part #: 68W129

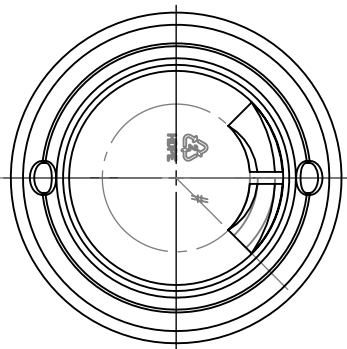


The
CARYCOMPANY
Est. 1895

1195 W. Fullerton Ave. | Addison, IL 60101 | T: 630.629.6800 | F: 630.629.3690 |



SCALE 1:2



The **CARY COMPANY**
Est. 1895

White 32oz HDPE DECANTIER

NECK FINISHES AVAILABLE	OVERFLOW HEIGHT	OVERFLOW CAPACITY	BOTTLE WEIGHT	PCS WEIGHT	PALLET COUNT T/L	PALLET COUNT LTL	T/L QTY
M28-400 SPEC.	9.616"	999ml ± 15	51g ± 2.5	20lbs	1,664	1248	49,920