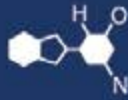


IF YOU...



MIX IT. FILL IT. PACK IT. SHIP IT.

WE HAVE A **PRODUCT** FOR YOU

Part #: 68W12S

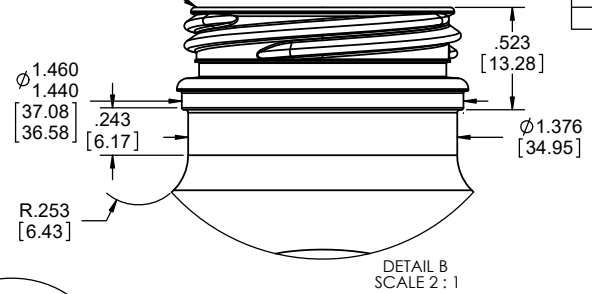


The
CARYCOMPANY
Est. 1895

1195 W. Fullerton Ave. | Addison, IL 60101 | T: 630.629.6600 | F: 630.629.3690 |

REVISIONS			
REV.	DESCRIPTION	DATE	APPROVED
A	23 gram 38mmDBJ Fillpoint and Overflow noted on print	3/3/2014	DWS
B	FILL POINT NOTE ADDED FOR 23g PREFORM	4/2/2014	KDL
C	FILL POINT ADDED FOR 28g PREFORM	9/2/2014	DCC

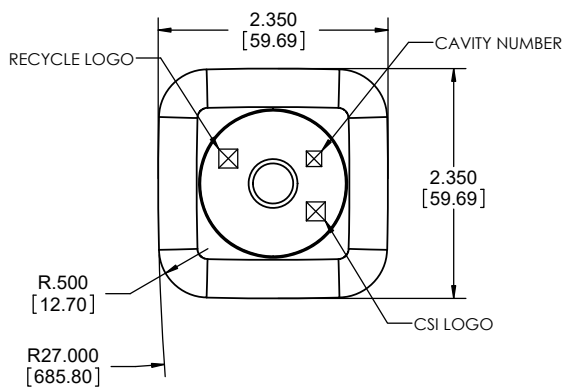
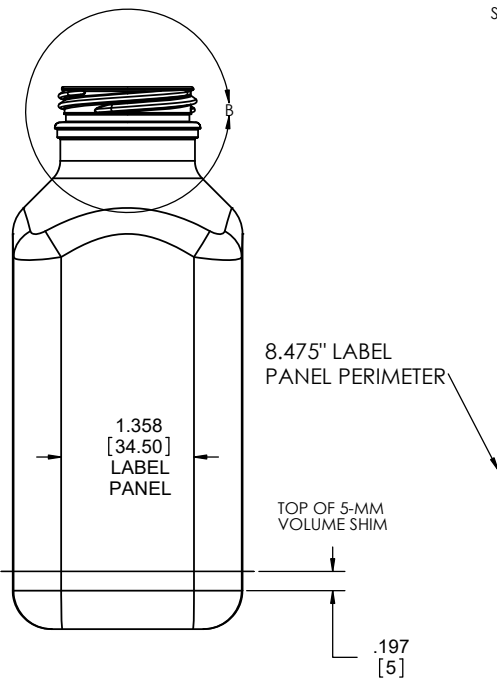
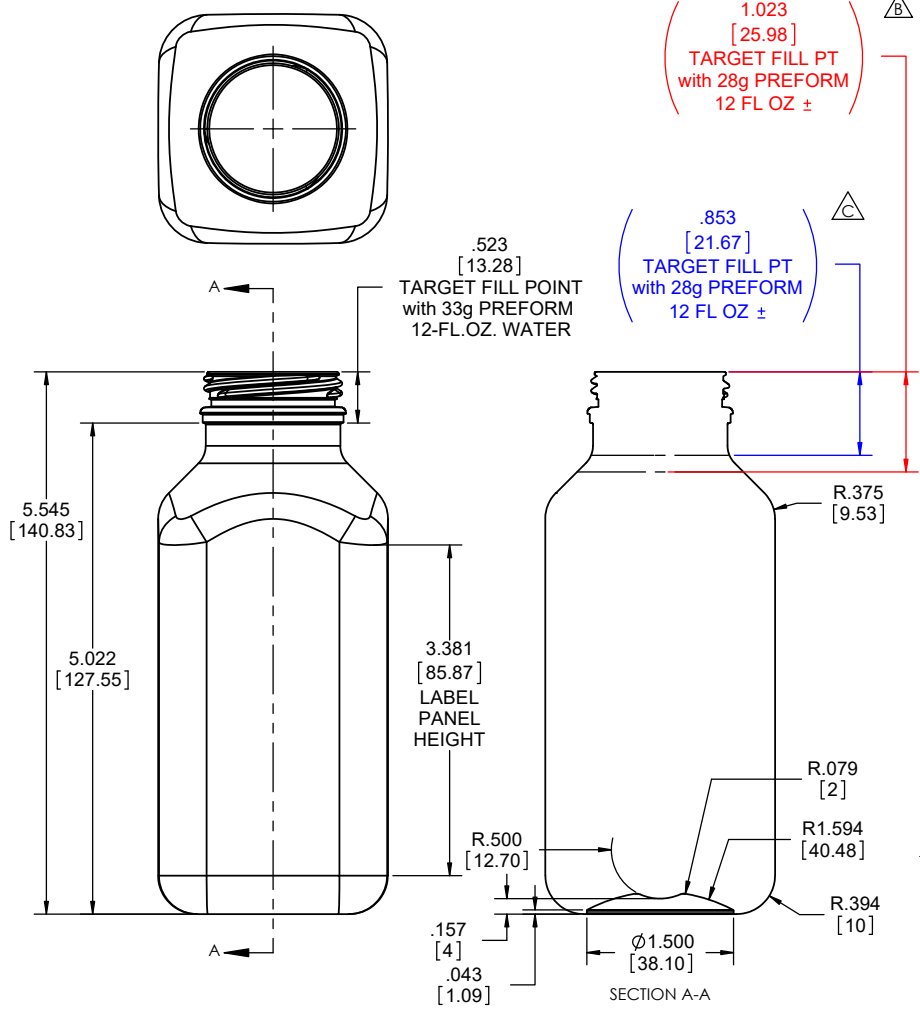
**38MM-DBJ
REF. PORTOLA
N358015C**



**1.023
[25.98]
TARGET FILL PT
with 28g PREFORM
12 FL OZ ±**

**.853
[21.67]
TARGET FILL PT
with 28g PREFORM
12 FL OZ ±**

**.523
[13.28]
TARGET FILL POINT
with 33g PREFORM
12-FL.OZ. WATER**



NOTES:
1. DIMENSIONS AND WEIGHT ARE SUBJECT TO CHANGE WITH FINAL VOLUMETRIC CALCULATIONS.
2. FINAL VOLUME TOLERANCE TO BE DEFINED BY MFG. DATA.

FILLPOINT VOLUME= 361.01-ML / 12.20-FL.OZ.			MATERIAL	PET
OVERFLOW VOLUME = 370.2-ML / 12.5-FL.OZ.			FINISH	
PROPOSED PREFORM 28.0-GRAM DBJ 0956-10-PD-C-02				
REF. 3 D MODEL FILE 0903-10-BD-M-06 0988-10-00 12-ounce				
<small>PROPRIETARY AND CONFIDENTIAL THE INFORMATION CONTAINED IN THIS DRAWING IS THE SOLE PROPERTY OF THE CARY COMPANY. ANY REPRODUCTION IN PART OR AS A WHOLE WITHOUT THE WRITTEN PERMISSION OF THE CARY COMPANY IS PROHIBITED.</small>			TITLE:	
<small>DO NOT SCALE DRAWING</small>			12-oz SQUARE BOTTLE VERSION "B"	
<small>COMMENTS:</small>			SIZE	DWG. NO.
PROJECT # PR10-2			C	68W12S
			REV	C
			SCALE: 1:1	SHEET 1 OF 1

