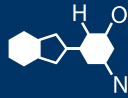


IF YOU...



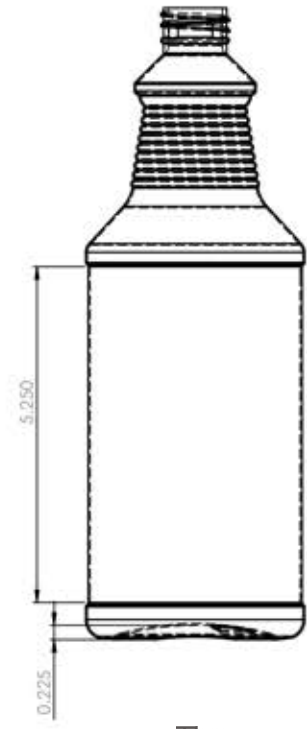
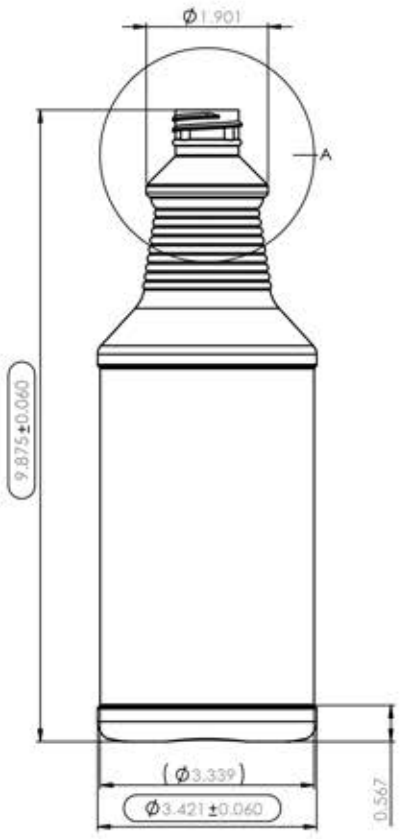
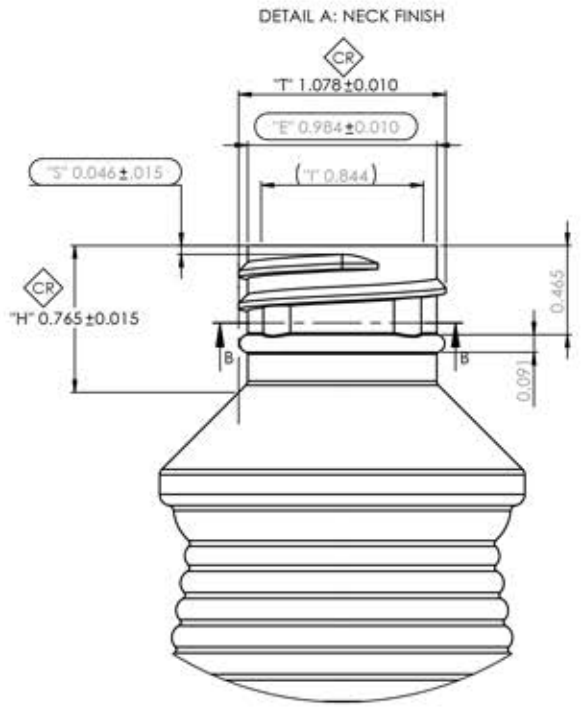
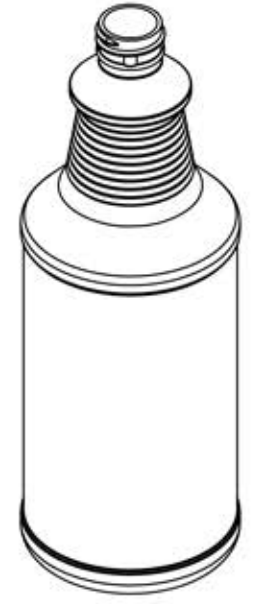
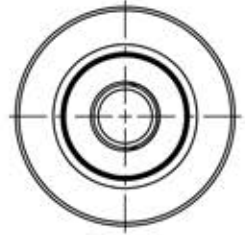
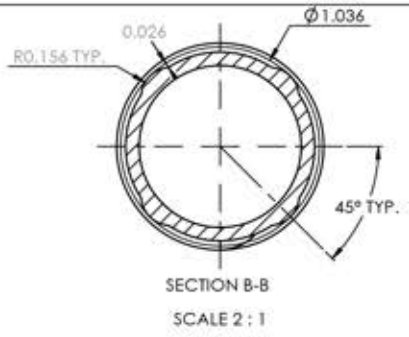
MIX IT. FILL IT. PACK IT. SHIP IT.

WE HAVE A **PRODUCT** FOR YOU

Part # 68W133

32 oz. White/Blue HDPE Plastic Carafe Bottle,
28mm 28-410

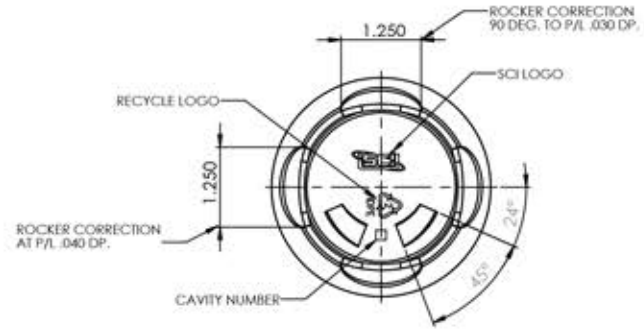




M28-410 FINISH
SPECIAL "H"
6 T.P.I.
1.5 FULL THREAD TURNS

The
CARY COMPANY
Est. 1895

1. DIMENSIONS OR NOTES MARKED WITH A DENOTE CRITICAL CHARACTERISTICS TO BE MONITORED DURING PRODUCTION.
2. DIMENSIONS OR NOTES MARKED WITH A DENOTE CHARACTERISTICS TO BE MONITORED DURING PRODUCTION QUALIFICATION ONLY.
3. ALL DIAMETER DIMENSIONS MARKED WITH OR SHALL BE DETERMINED BY AVERAGING THE MEASUREMENTS AT PARTING LINE AND 90 DEGREES FROM PARTING LINE.
4. REFERENCE ONLY DIMENSIONS CONTAINED IN (1).
5. MINIMUM CONTAINER WALL THICKNESS .012".
6. CONTAINER TOP LOAD REQUIREMENT TO BE 30 LBS. MINIMUM AT 1/4" DEFLECTION.
7. MATERIAL HOPE
8. TARGET WEIGHT 45.0 ± 3 GRAMS.
9. OVERFLOW CAPACITY 33.70 ± 0.5 FL. OZ.
10. MEASUREMENTS TAKEN 24 HOURS AFTER MOLDING.



				Supplied By: The Cary Company Ph: 630-629-6600 www.thecarycompany.com	
				TITLE: 32oz CARAFE	
PROJECT NUMBER	1595-12-14		BY	DATE	DESCRIPTION: PRODUCT DRAWING
DRAWN BY	DATE	CHECKED BY	DATE	DRWG. NO. 251PD	
ZMF	11/7/12			SZE C	SCALE 2:1 SHEET 1 OF 1 REV.