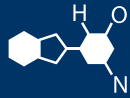


IF YOU...



MIX IT. FILL IT. PACK IT. SHIP IT.

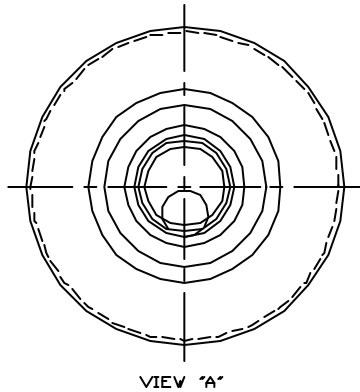
WE HAVE A **PRODUCT** FOR YOU

Part # 68W137

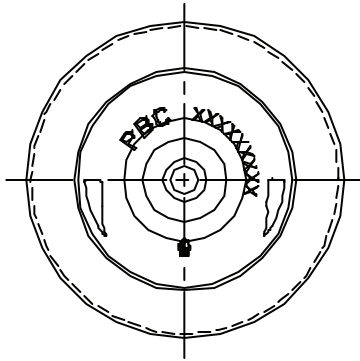
32 oz. Clear PET Plastic Carafe Bottle, 28mm
28-400



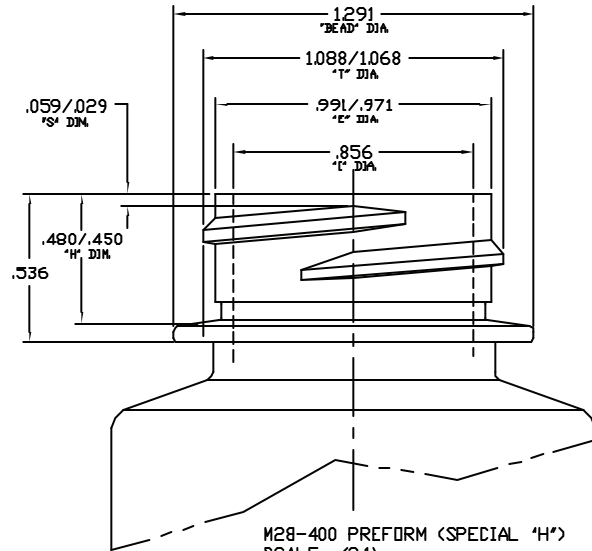
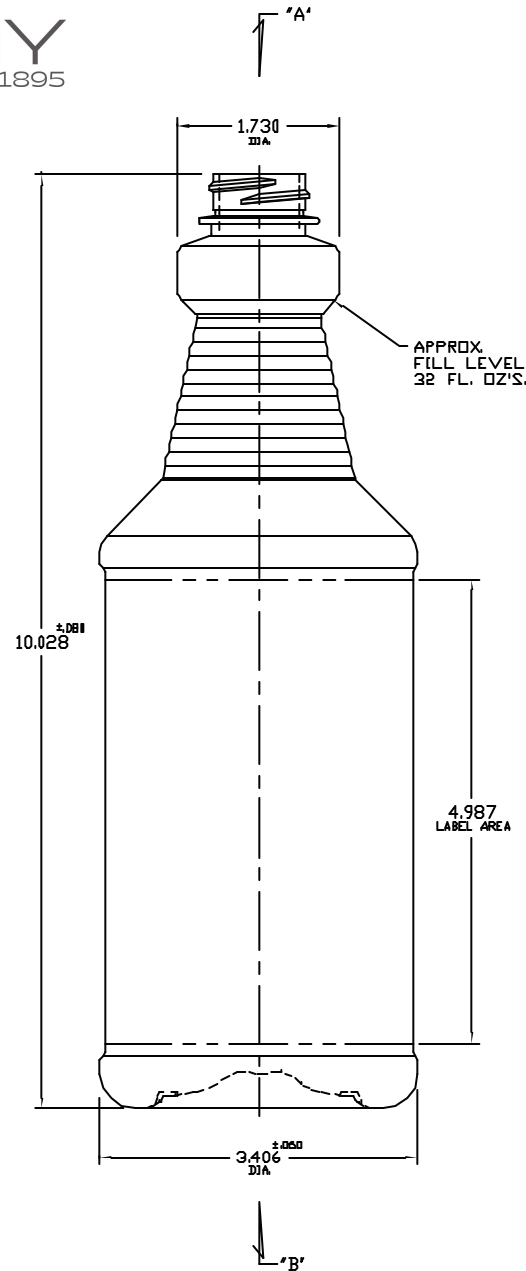
| REVISIONS | DATE | BY |
|------------------|----------|-----|
| ORIGINAL RELEASE | 11/15/00 | BSP |
| | | |



VIEW "A"



VIEW "B"



M28-400 PREFORM (SPECIAL 'H')
 SCALE- (3:1)
 (1) FULL TURN OF THREAD
 (6) TPI <.167 PITCH

DUE TO MANUFACTURING VARIABLES
 CONTAINER OVERFLOW CAPACITIES
 AND FILL LEVELS ARE APPROXIMATE
 AND WILL BE FINALIZED AFTER
 SAMPLE CONTAINERS ARE PRODUCED.
 PATTERN AND MOLD CAVITY
 DISPLACEMENTS ARE RECOMMENDED.

-NOTES-
 CONTAINER MAT'L- PET
 CONTAINER WEIGHT- 48.9 ±1.5 GRAMS.
 O/F CAPACITY- 33.22 ±.51 FL. OZ'S.
 982.46 ±15 CC'S.

FINAL PRINT APPROVAL

BY- _____ DATE- _____

CONFIDENTIAL

| | | | | | |
|------------------------------|--|---|----------|-----|------|
| TITLE 32 FL. OZ. CARAFE 1 | | Supplied By: The Cary Company Ph: 630-629-6600 www.thecarycompany.com | | | |
| SCALE 1d/NOTE d | | REV # | | | |
| APP. SEE NOTES | | BY | DATE | CHK | APPV |
| APPROVED BY: A | | BSP | 11/23/00 | | |
| PART NO. PBC-6655 | | REVISED | | | |