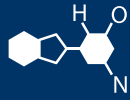


IF YOU...



MIX IT. FILL IT. PACK IT. SHIP IT.

WE HAVE A **PRODUCT** FOR YOU

Part # 68W13C

13.5 oz. Clear PET Plastic Tamper Evident CP
Square Bottle, 38mm 358DBJ

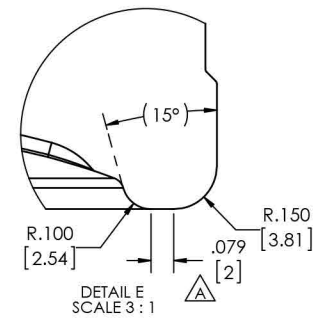
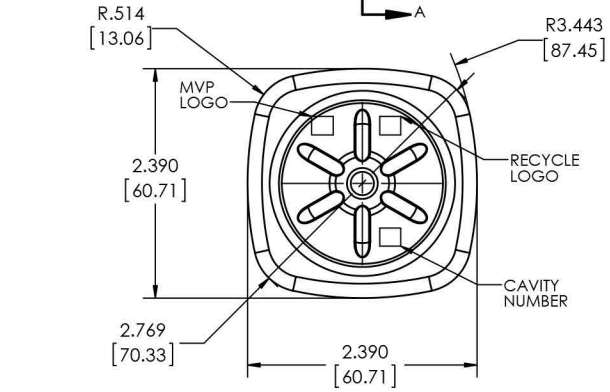
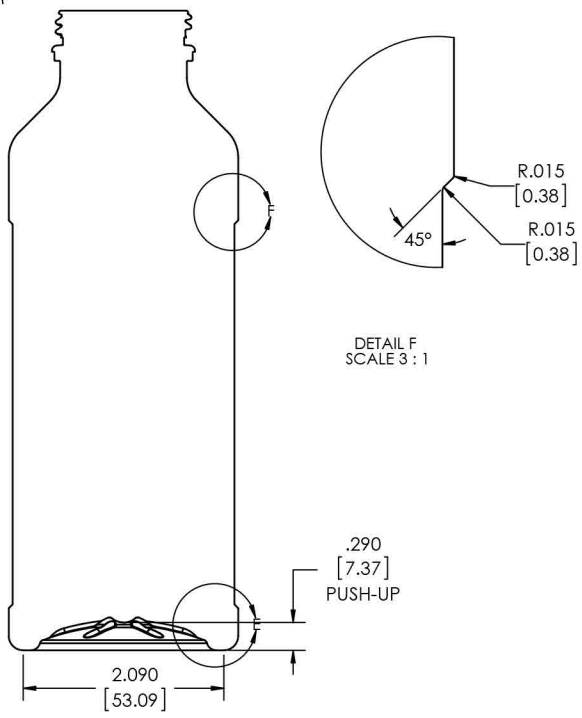
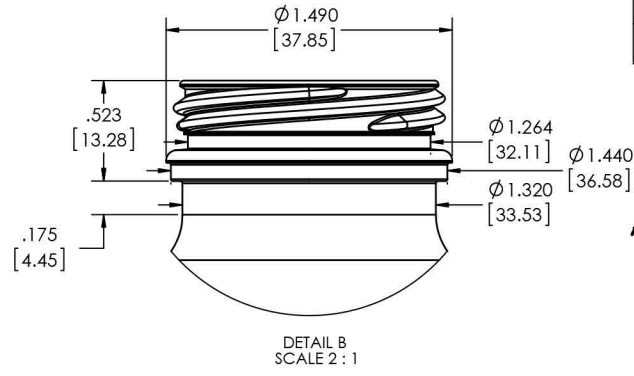
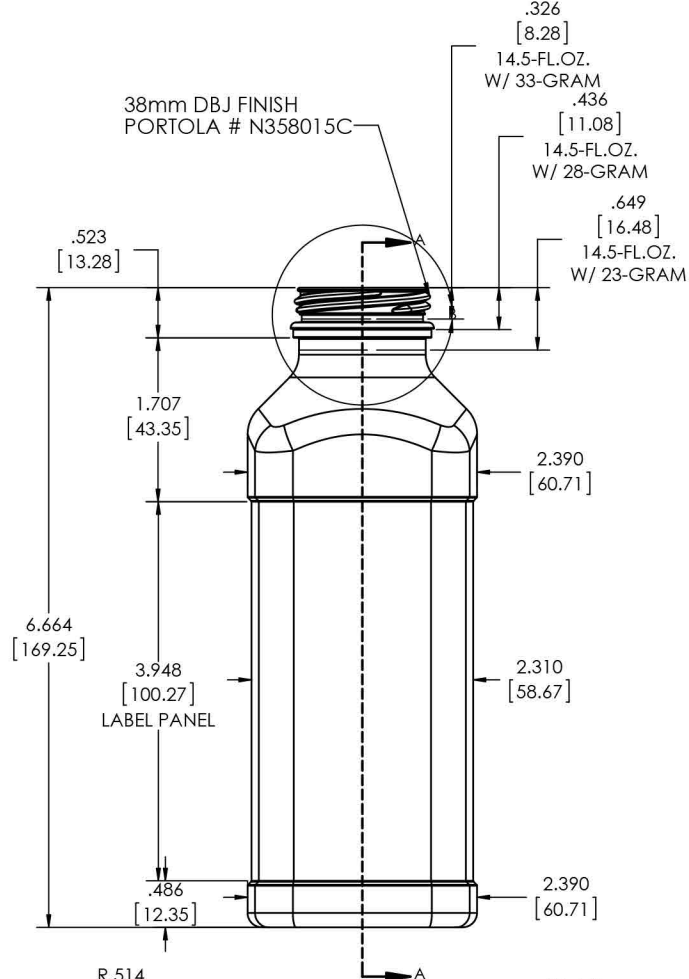


PREFORM	MASS	OVERFLOW VOLUME
1723-13-PD-B-05	23-GRAMS	15.2-FL.OZ. / 430.9-CC
1827-14-PD-B-00	28-GRAMS	15.0-FL.OZ. / 426.5-CC
1797-14-PD-B-02	33-GRAMS	14.9-FL.OZ. / 423.4-CC

REVISIONS			
REV.	DESCRIPTION	DATE	APPROVED
A	CHANGED BASE DESIGN TO ACCOMMODATE BLOW PROCESS ADDED 2mm FLAT TO BASE	12/6/2013	DCC
B	ADDED VOLUME TABLE AND FILL POINT HEIGHTS FOR 23,28 & 33-GRAM PREFORMS	10/3/2014	DCC

The
CARY COMPANY
Est. 1895

APPROVED FOR MFG. 3/22/2013



NOTES:
1. DIMENSIONS AND WEIGHT ARE SUBJECT TO CHANGE WITH FINAL VOLUMETRIC CALCULATIONS.
2. FINAL VOLUME TOLERANCE TO BE DEFINED BY MFG. DATA.

FILLPOINT VOLUME= SEE TABLE		MATERIAL	PET
OVERFLOW VOLUME = SEE TABLE		FINISH	38mm DBJ N358015C
PROPOSED PREFORM - SEE TABLE			
REF. 3 D MODEL FILE	1582-13-BD-C-02		
DRAWN	NAME	DATE	TITLE: 14.5oz Odwalla "Country Pure" 38mm DBJ
CHECKED	D. CONNOR	10/3/2014	
ENG APPR.			
MFG APPR.			
Q.A.			
COMMENTS:		SIZE	DWG. NO.
PROJECT # PR12-138		C	B
SCALE: 1:1		SHEET 1 OF 2	

I:\PR12\PR12-138 13.5oz Odwalla 38mm DBJ\12052013 base redesign\1582-13-BD-C-02