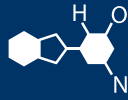


IF YOU...



MIX IT. FILL IT. PACK IT. SHIP IT.

WE HAVE A **PRODUCT** FOR YOU

Part # 68W15S

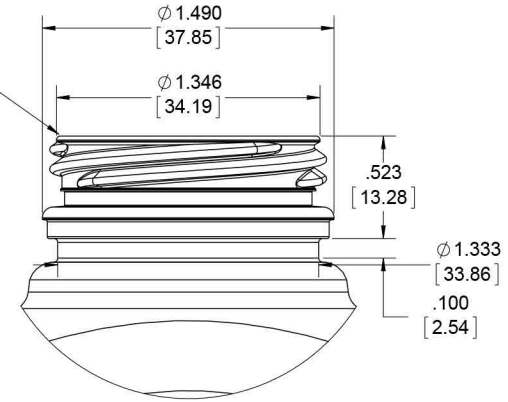
16 oz. Clear PET Plastic Tamper Evident
Square Bottle, 38mm 358DBJ



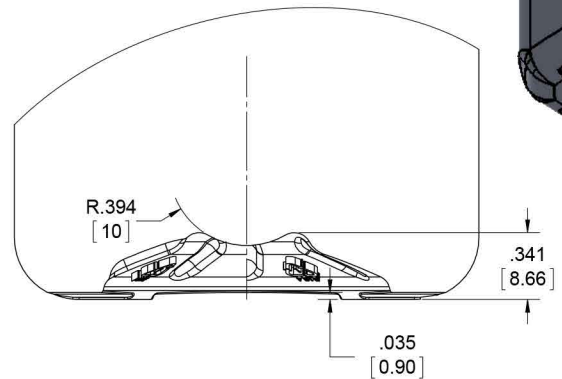
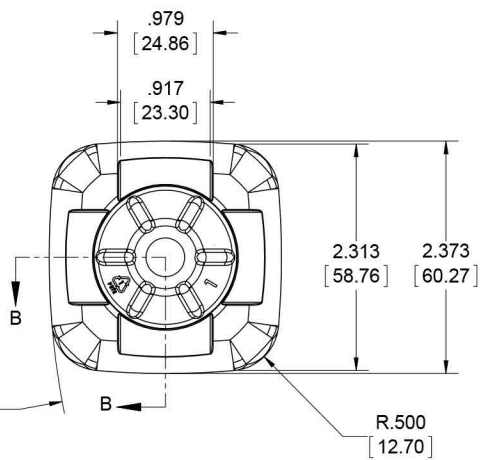
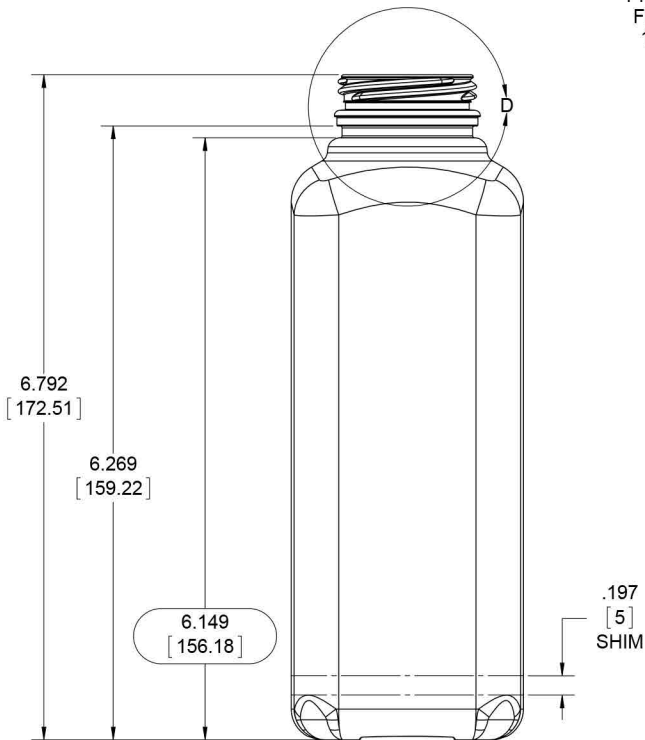
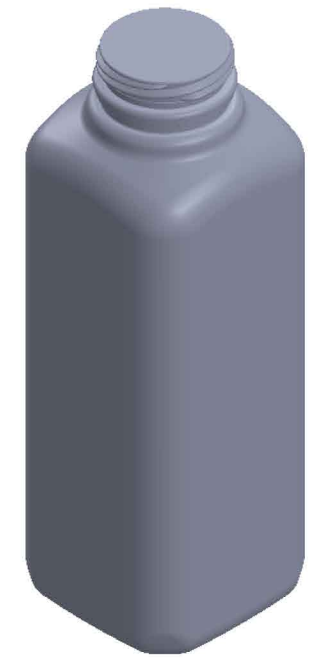
REVISIONS			
REV.	DESCRIPTION	DATE	APPROVED
A	REDUCED WIDTH TO 2.400 WAS 2.467 AND INCREASED HEIGHT TO 6.730 WAS 6.438	3/13/2014	DCC
B	MODIFIED DOME SHAPE PER CUSTOMER REQUEST	7/10/2014	DWS
C	PANEL RADIUS WAS 7" NOW 8.25"	7/10/2014	DWS
D	MODIFY DOME PER CUSTOMER REQUEST	7/14/2014	DWS

.838
[21.29]
PROJECTED
FILL POINT
16-FL.OZ.

38MM DBJ FINISH
REF. DWG. N358015C



DETAIL D
SCALE 2 : 1



DETAIL C
SCALE 2 : 1

FILLPOINT VOLUME= 473.4-ML / 16.00-FL.OZ.		MATERIAL	PET
OVERFLOW VOLUME = 491.1-ML / 16.6-FL.OZ		FINISH	38MM DBJ
PROPOSED PREFORM 1797-14-PD-B-01 32.3-GRAM			N358015C
REF. 3 D MODEL FILE	1945-14-BD-C-04		
DRAWN D.STRACHAN 7/14/2014		TITLE:	
CHECKED		16-OUNCE SQ. "SP" BOTTLE	
ENG APPR.		SIZE	
MFG APPR.		DWG. NO.	
Q.A.		REV	
COMMENTS:		D	
PROJECT #14-142		SCALE: 1:1	
		SHEET 1 OF 2	