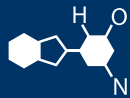


IF YOU...

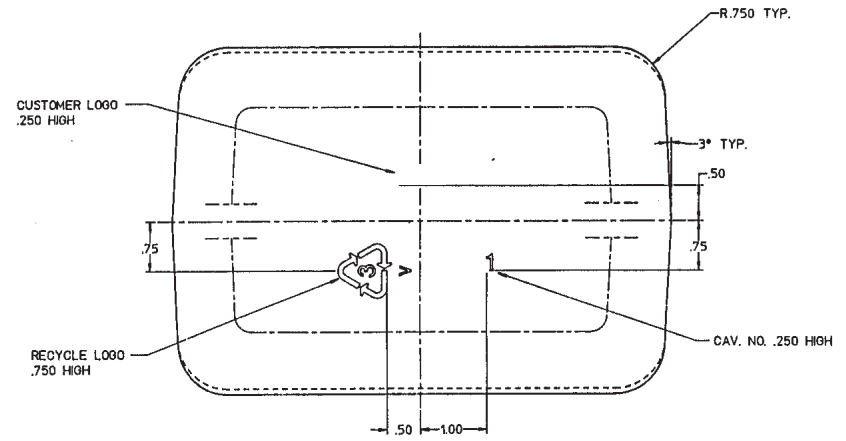
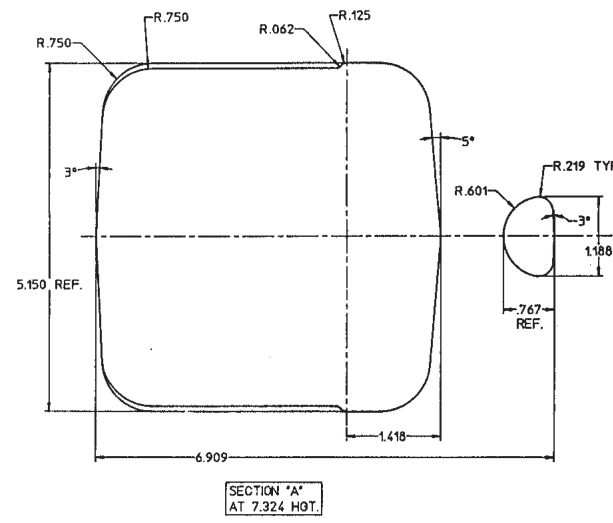
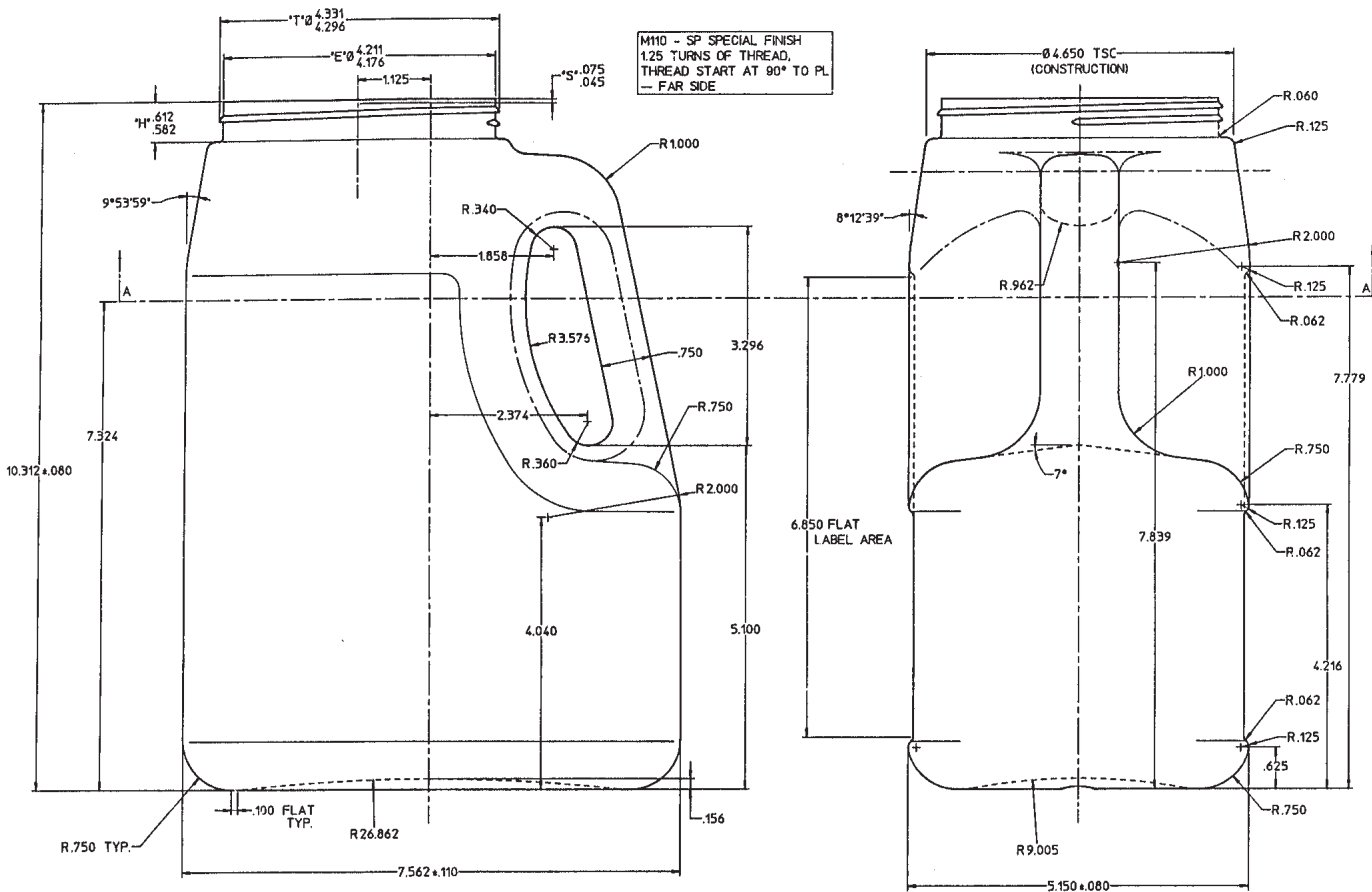


MIX IT. FILL IT. PACK IT. SHIP IT.

WE HAVE A **PRODUCT** FOR YOU

Part # 68W160





NOTES:
1) OVERFLOW CAPACITY W/BULGE: 5091.0 ±5.0 CC
(172.15 ±2.00 FL. OZ.)
2) ESTIMATED BULGE: 120 CC (4.06 FL. OZ.)
3) MAT'L: P.V.C.
4) BOTTLE WEIGHT: 140 ±5.0 GM

A		B.M.		DATE		DATE		DATE	
REDESIGNED		07-19-93		06-23-93		06-25-93			
NO. REVISIONS		BY		DATE		DATE		DATE	
MATERIAL - PVC				SCALE FULL		DRAWING NUMBER M - 108160			
F164AOPD0				PROJ. NO.					

Supplied By: **The Cary Company**
Ph: 630-629-6600
www.thecarycompany.com

The **CARY** COMPANY
Est. 1895