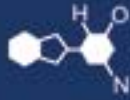


# IF YOU...



MIX IT. FILL IT. PACK IT. SHIP IT.

# WE HAVE A PRODUCT FOR YOU

Part #: 68W162

---

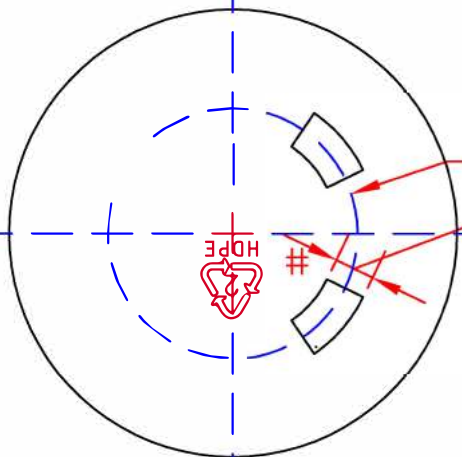
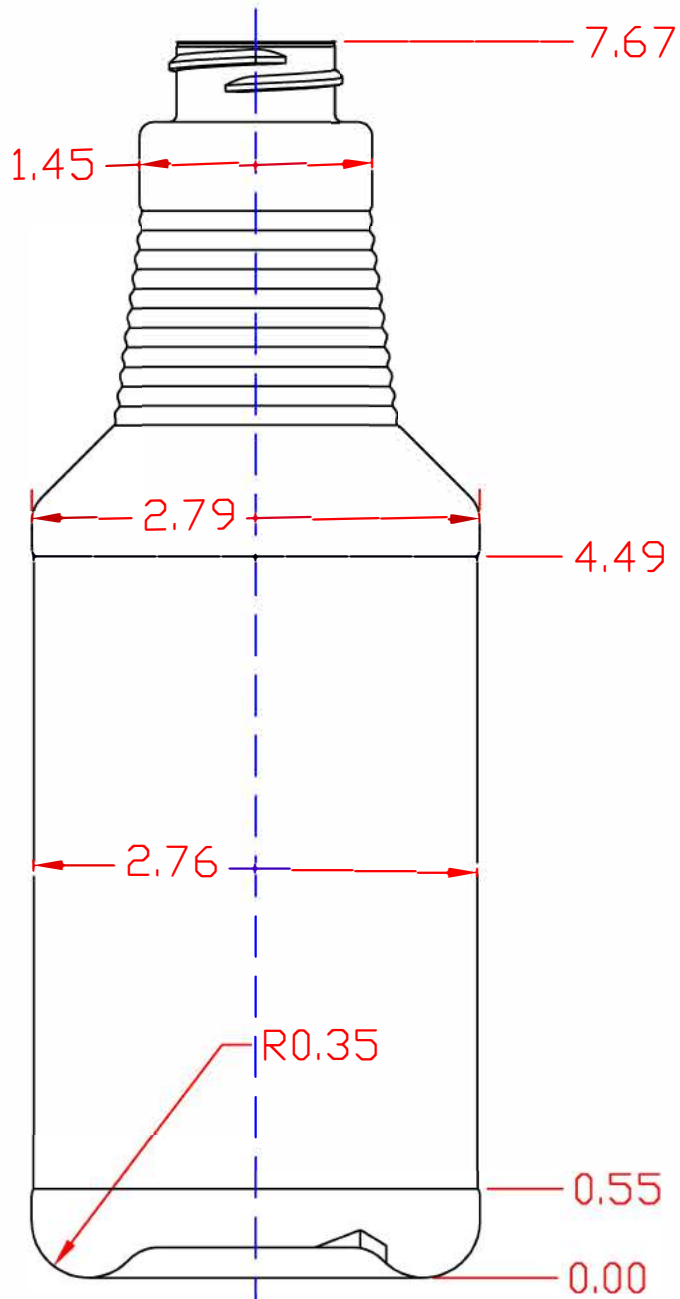
---



---

The  
**CARY**COMPANY  
Est. 1895

1195 W. Fullerton Ave. | Addison, IL 60101 | T: 630.629.6600 | F: 630.629.3690 |



R0.78 C/L RADIUS

0.25

TOLERANCES (UNLESS OTHERWISE SPECIFIED)	COMPANY: The <b>CARY COMPANY</b> Est. 1895		
	TITLE: 16 OZ. DECANTER 28 mm SPH		
	DRN. BY: D.U.	SCALE: FULL	DATE: 12/26/01
	CHK'D. BY: DF 1/22/15	DRAWING NO:	
S.P.I.	MATERIAL: HDPE		REV:
	NO. REVISION DESCRIPTION BY DATE		