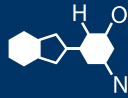


IF YOU...



MIX IT. FILL IT. PACK IT. SHIP IT.

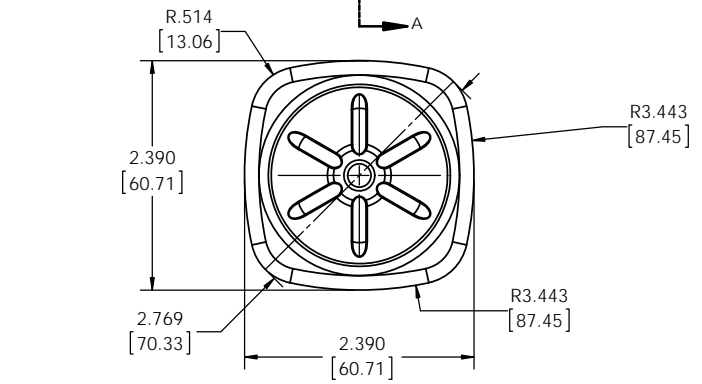
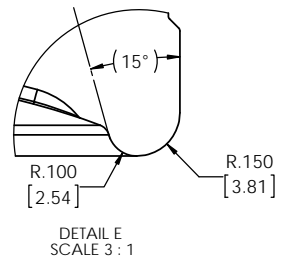
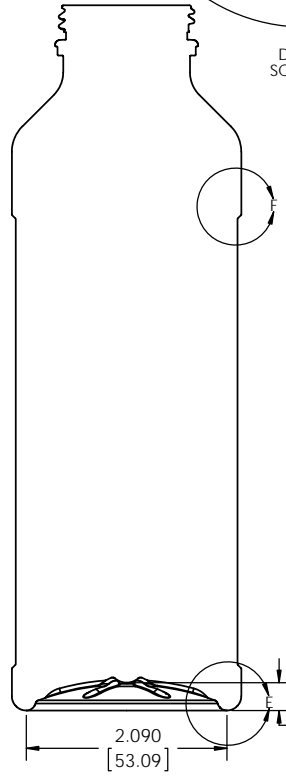
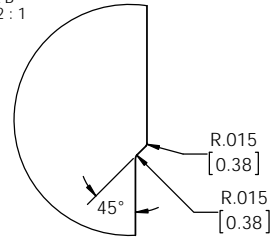
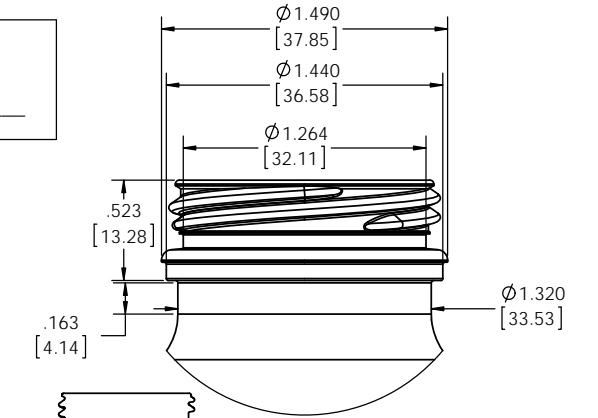
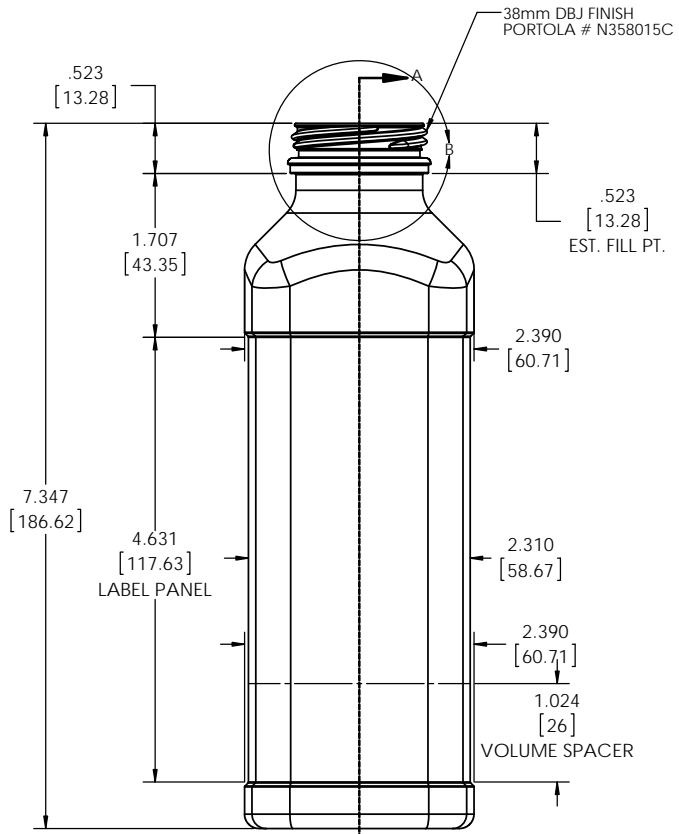
WE HAVE A **PRODUCT** FOR YOU

Part # 68W16C

16 oz. Clear PET Plastic Tamper Evident CP
Square Bottle, 38mm 358DBJ



CUSTOMER APPROVAL
 SIGNED _____ DATE _____



NOTES:
 1. DIMENSIONS AND WEIGHT ARE SUBJECT TO CHANGE WITH FINAL VOLUMETRIC CALCULATIONS.
 2. FINAL VOLUME TOLERANCE TO BE DEFINED BY MFG. DATA.

FILLPOINT VOLUME = 16.07oz		MATERIAL		PET
OVERFLOW VOLUME = 16.38oz		FINISH		38mm DBJ N358015C
PROPOSED PREFORM - 1008-11-PD-B-01 33-GRAMS		TITLE: 16.0oz Odwalla "Country Pure" 38mm DBJ		
REF. 3 D MODEL FILE 1373-12-BD-C-00		DRAWN		
PROPRIETARY AND CONFIDENTIAL THE INFORMATION CONTAINED IN THIS DRAWING IS THE SOLE PROPERTY OF DEVTECH LABS, INC. ANY REPRODUCTION IN PART OR AS A WHOLE WITHOUT THE WRITTEN PERMISSION OF DEVTECH LABS, INC. IS PROHIBITED.		NAME	DATE	DevTech Labs, Inc. SIZE DWG. NO. C 1373-12-BD-C-00 SCALE: 1:1 SHEET 1 OF 2
DO NOT SCALE DRAWING		D. CONNOR	3/30/2012	
COMMENTS:		CHECKED		
		ENG APPR		
		MFG APPR		
		G.A.		
PROJECT # PR12-138				