

IF YOU...



MIX IT. FILL IT. PACK IT. SHIP IT.

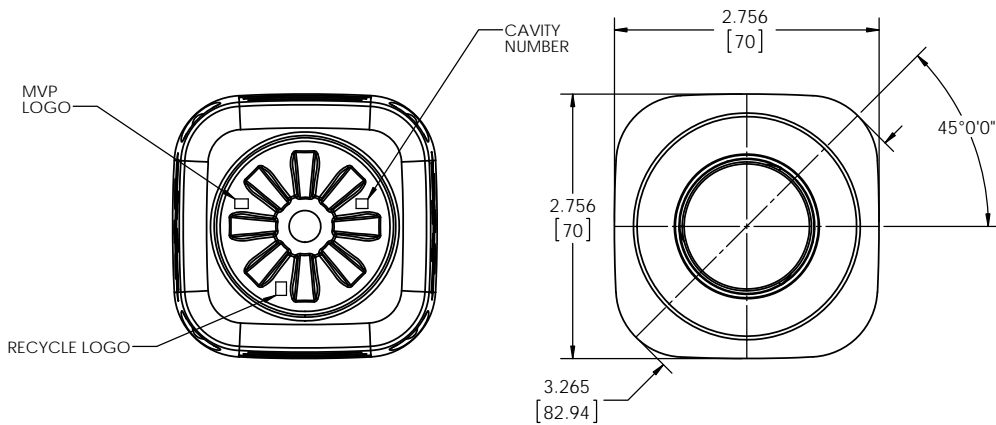
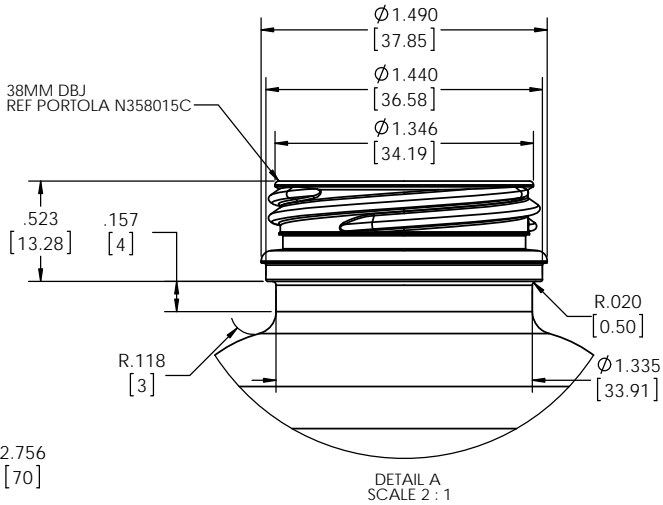
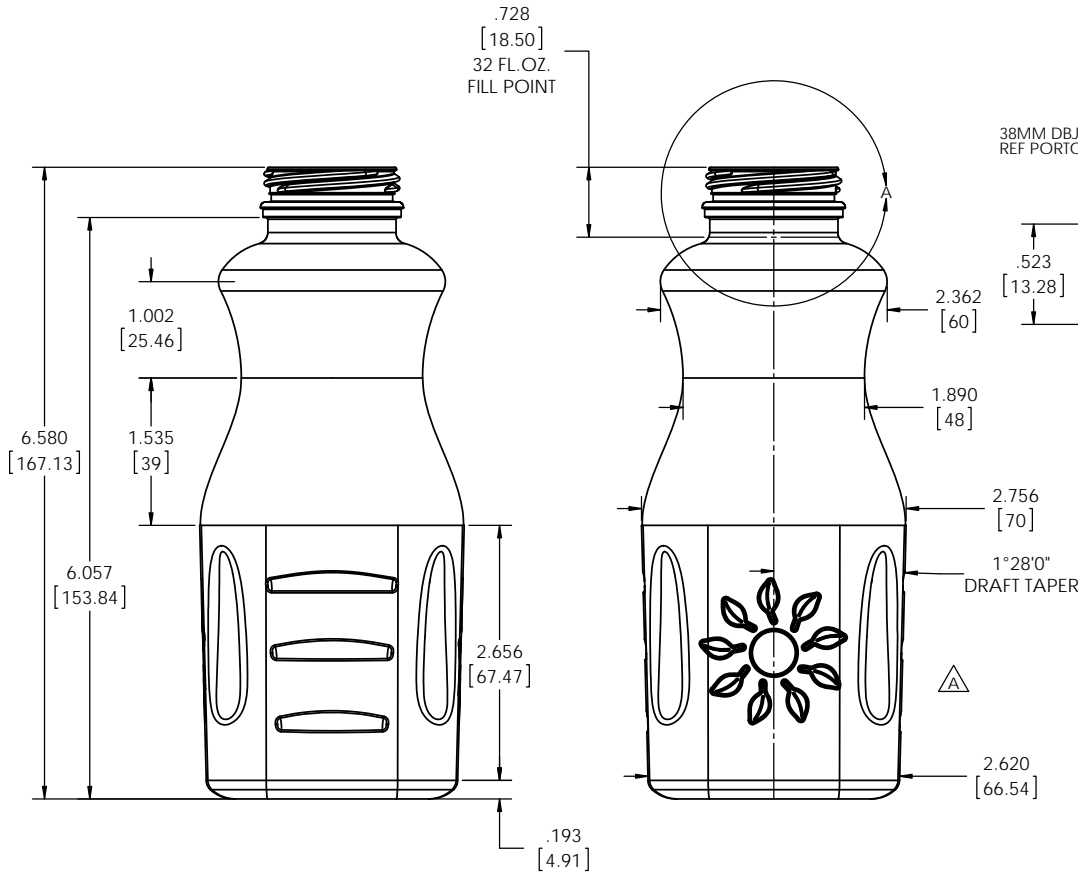
WE HAVE A **PRODUCT** FOR YOU

Part # 68W16J

16 oz. Clear PET Plastic Tamper Evident Juice
Bottle, 38mm 358DBJ



REVISIONS			
REV.	DESCRIPTION	DATE	APPROVED
A	ADDED LOGO ELEMENTS TO FRONT PANEL	5/3/2012	DCC



PRELIMINARY PRINT
THIS CONCEPT DRAWING IS SUBJECT TO CHANGE AND IS NOT APPROVED FOR MANUFACTURE; USE FOR PROJECT DISCUSSION PURPOSES ONLY.

- NOTES:
1. DIMENSIONS AND WEIGHT ARE SUBJECT TO CHANGE WITH FINAL VOLUMETRIC CALCULATIONS.
2. FINAL VOLUME TOLERANCE TO BE DEFINED BY MFG. DATA.

FILLPOINT VOLUME = 474.8 CC / 16.0 FL.OZ.		MATERIAL	PET
OVERFLOW VOLUME = 488.7 CC / 16.5 FL.OZ.		FINISH	38MM DBJ N358015C
PROPOSED PREFORM 1008-11-PD-B-01 33.0-GRAMS			
REF. 3 D MODEL FILE 1342-12-BD-C-01			
<small>PROPRIETARY AND CONFIDENTIAL THE INFORMATION CONTAINED IN THIS DRAWING IS THE SOLE PROPERTY OF DEVTECH LABS, INC. ANY REPRODUCTION IN PART OR AS A WHOLE WITHOUT THE WRITTEN PERMISSION OF DEVTECH LABS, INC. IS PROHIBITED.</small>		DevTech Labs, Inc.	
<small>DO NOT SCALE DRAWING COMMENTS:</small>		TITLE: 16-OUNCE 38MM DBJ TAPERED CARAFE BOTTLE DESIGN	
PROJECT # PR12-172		SIZE DWG. NO. C 1342-12-BD-C-01	REV A
SCALE: 1:1		SHEET 1 OF 1	