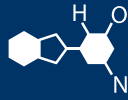


IF YOU...



MIX IT. FILL IT. PACK IT. SHIP IT.

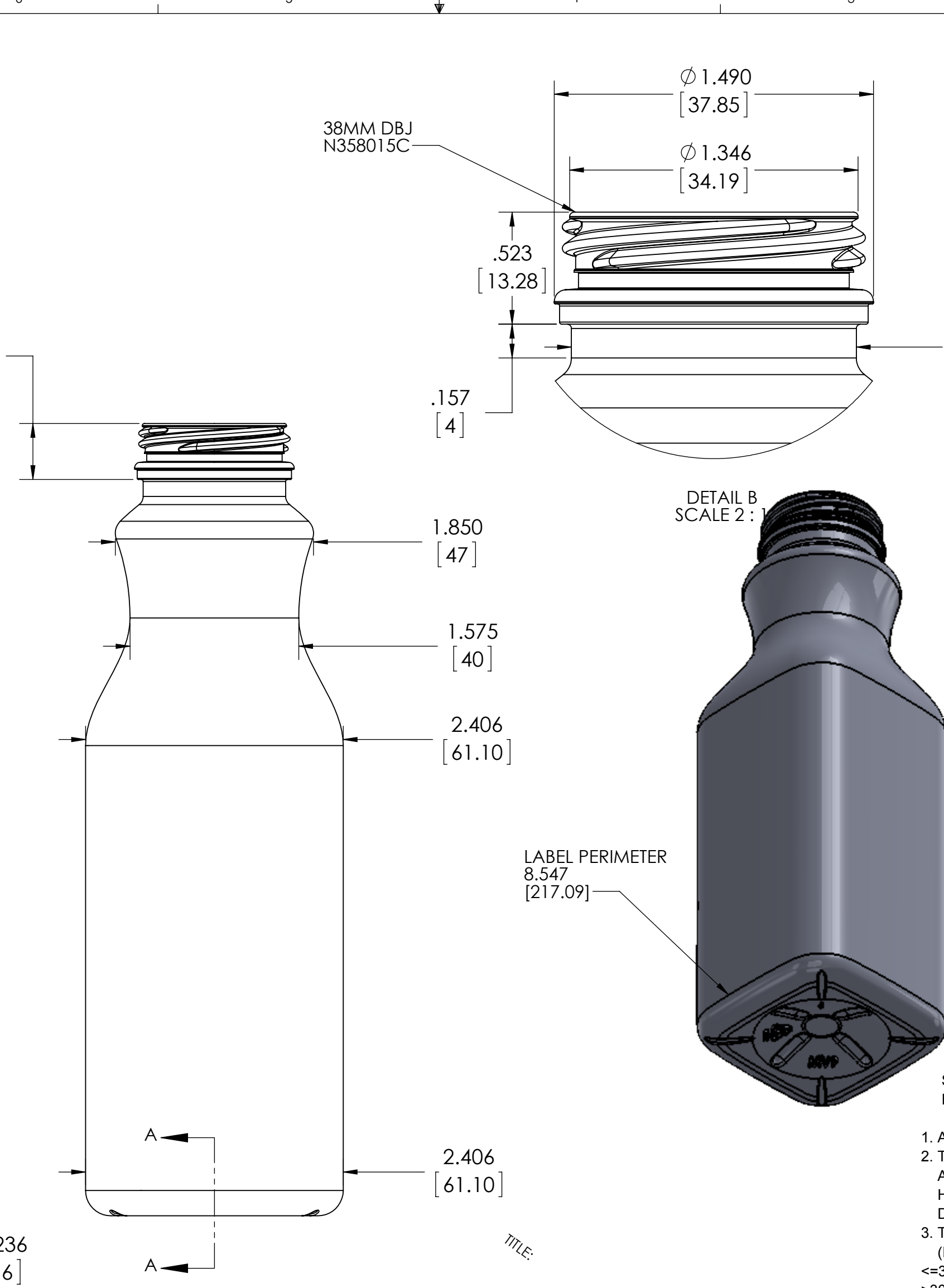
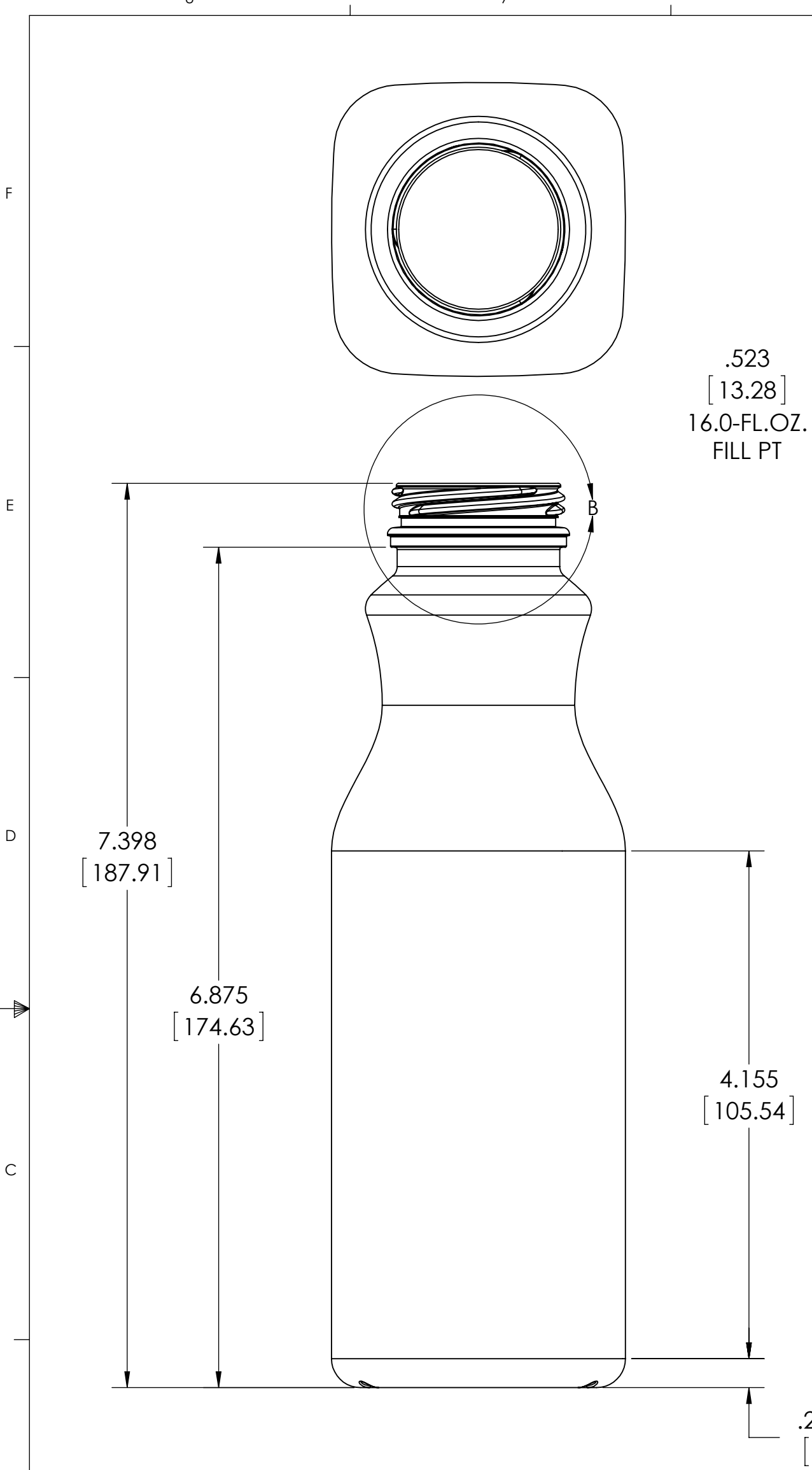
WE HAVE A **PRODUCT** FOR YOU

Part # 68W17D

16 oz. Clear PET Plastic Tamper Evident Juice
Bottle, 38mm 358DBJ



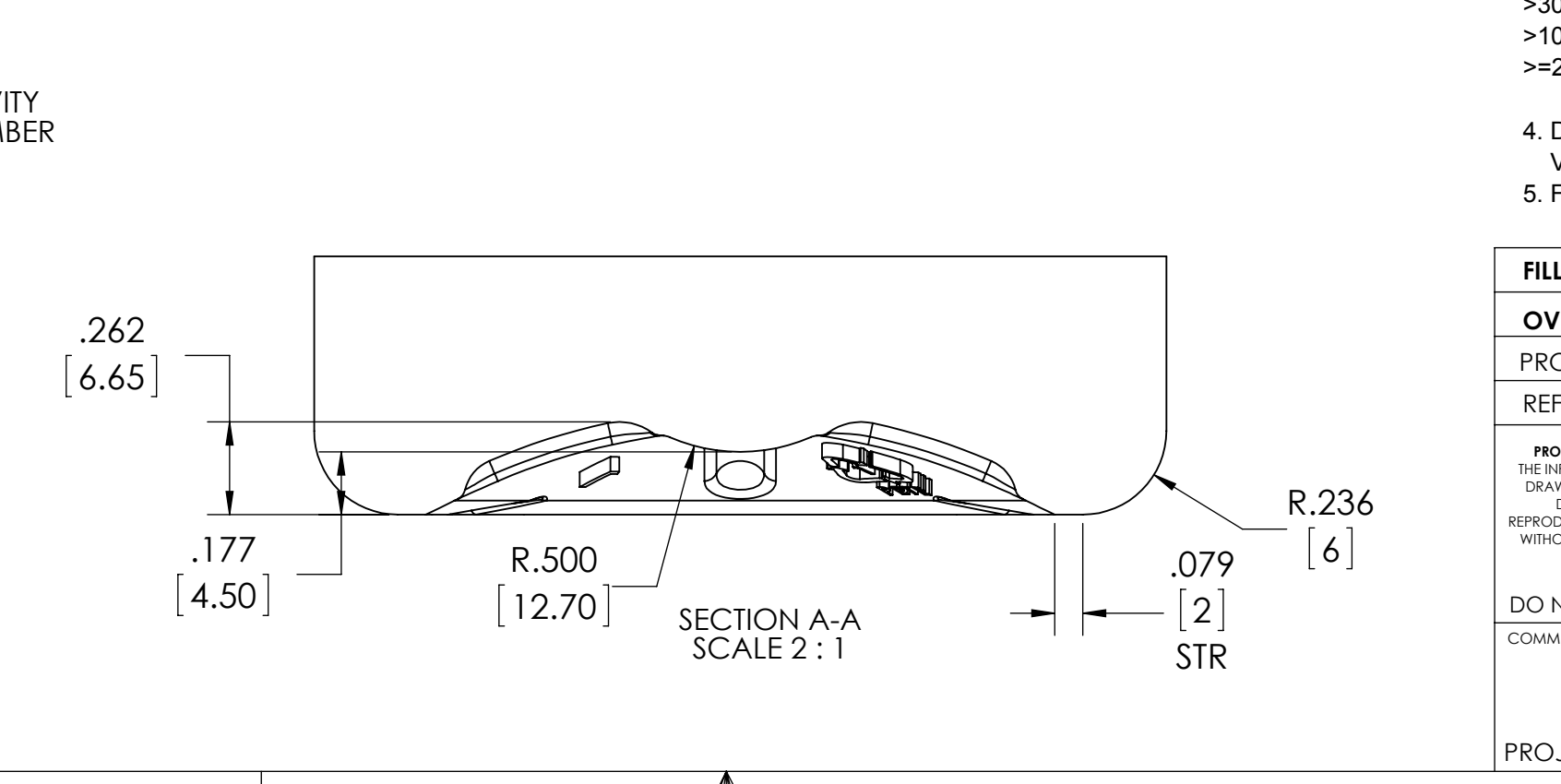
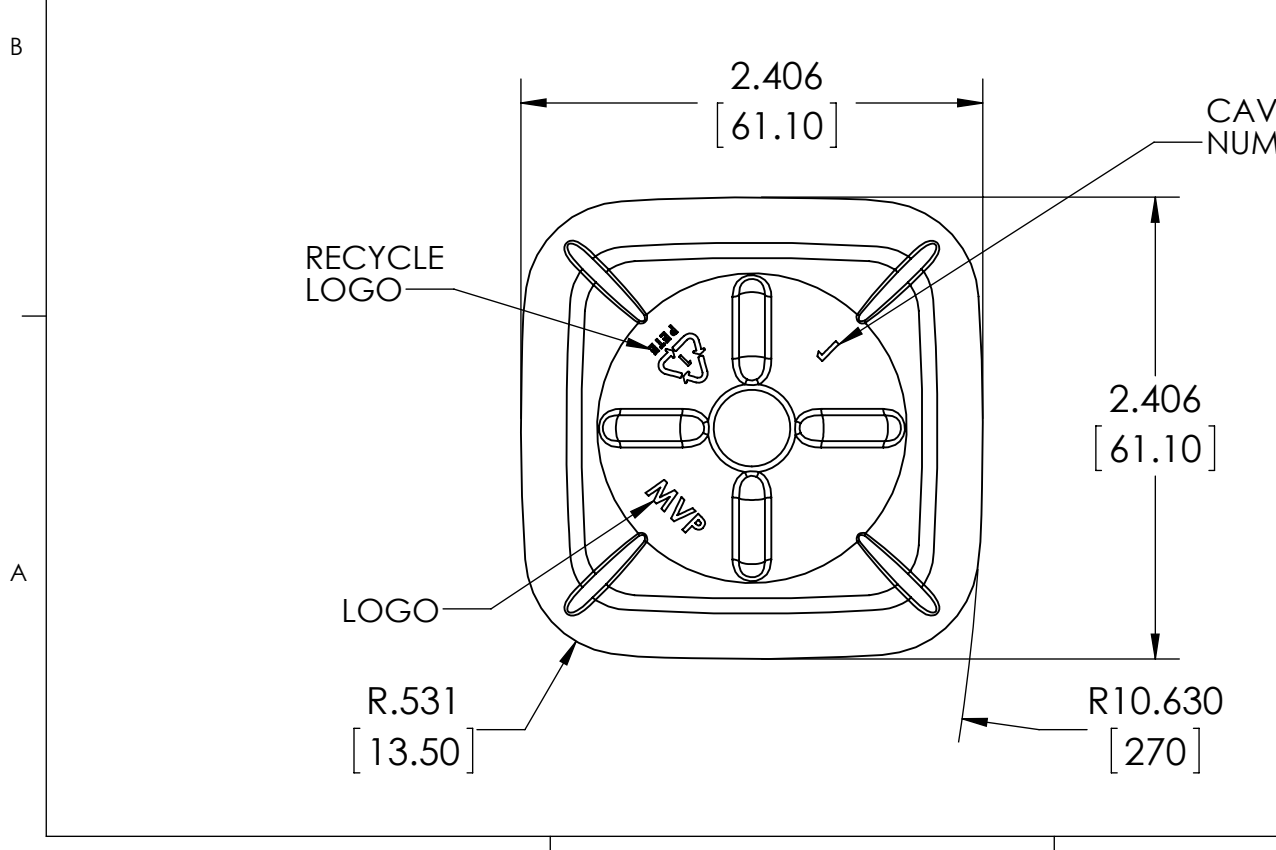
| REVISIONS | | | |
|-----------|--|-----------|----------|
| REV. | DESCRIPTION | DATE | APPROVED |
| A | REMOVED TAPER FROM BODY. CHANGED WIDTH TO 57.5-MM AND GREW BODY TALLER TO MEET VOLUME. | 5/19/2015 | DCC |
| B | ADJUSTED WIDTH AND HEIGHT FOR SYMMETRY | 5/19/2015 | DCC |
| C | REDUCED WIDTH TO 2.406 AND INCREASED HEIGHT TO RECOUP VOLUME | 5/29/2015 | DCC |
| D | CHANGED preform to 32.5g was 22.5g. ADJUSTED BOTTLE HEIGHT WAS 7.322 NOW 7.398 | 9/9/2015 | DCC |



The CARY COMPANY
Est. 1895

STANDARD MANUFACTURING SPECIFICATIONS STATEMENT FOR BOTTLES 72 HOURS AFTER MANUFACTURE WHEN STORED AT ROOM TEMPERATURE AND 50% R.H.

- ALL DRAWINGS ARE DUAL DIMENSIONED (INCHES AND MILLIMETERS)
- THE FOLLOWING TOLERANCES APPLY FOR OVERALL HEIGHT, MAJOR DIAMETER, AND LABEL PANEL (EXCEPT WHERE NOTED)
HEIGHT..... ±0.5% OF STATED DIMENSIONS
DIAMETERS ±1.0% OF STATED DIMENSIONS
- THE FOLLOWING CAPACITY TOLERANCES APPLY (EXCEPT WHERE NOTED) FOR COLD FILLED CONTAINERS **NOMINAL CAPACITY**
≤300mlAVERAGE +6ml - 0.0
>300ml TO ≤1000ml.....AVERAGE +1.6% - 0.0
>1000ml TO <2000ml.....AVERAGE +1.2% - 0.0
≥2000ml.....AVERAGE +1.0% - 0.0
- DIMENSIONS AND WEIGHT ARE SUBJECT TO CHANGE WITH FINAL VOLUMETRIC CALCULATIONS.
- FINAL VOLUME TOLERANCE TO BE DEFINED BY MFG. DATA.



FILLPOINT VOLUME= 16.0-FL.OZ. / 473.2-ML

OVERFLOW VOLUME = 16.4-FL.OZ. / 485-ML

PROPOSED PREFORM 1797-14-PD-B-02 32.25g

REF. 3 D MODEL FILE 2213-15-BD-C-04

MATERIAL PET

FINISH 38MM DBJ N358015C

PROPRIETARY AND CONFIDENTIAL THE INFORMATION CONTAINED IN THIS DRAWING IS THE SOLE PROPERTY OF DEVTECH LABS, INC.. ANY REPRODUCTION IN PART OR AS A WHOLE WITHOUT THE WRITTEN PERMISSION OF DEVTECH LABS, INC. IS PROHIBITED.

DO NOT SCALE DRAWING

COMMENTS:

PROJECT # PR15-147

| NAME | DATE |
|-----------|----------|
| D.CONNOR | 5/4/2015 |
| ENG APPR. | |
| MFG APPR. | |
| Q.A. | |

16-OUNCE SL CARAFE

| SIZE | DWG. NO. | REV |
|------|-----------------|-----|
| C | 2213-15-BD-C-04 | D |

SCALE: 1:1

SHEET 1 OF 1