

IF YOU...

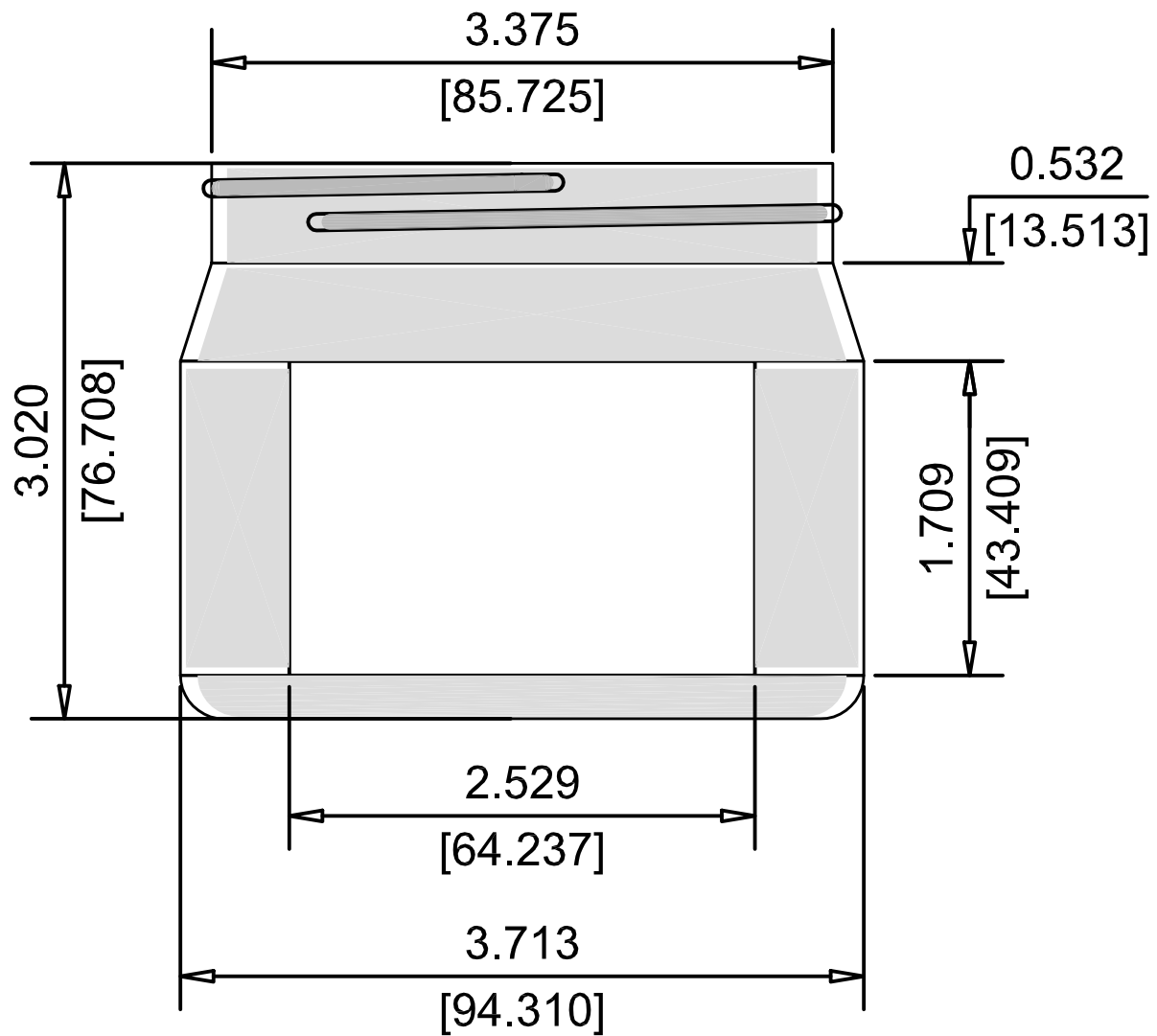


MIX IT. FILL IT. PACK IT. SHIP IT.

WE HAVE A PRODUCT FOR YOU



Part #	68W17S
Capacity	16 oz.
Color	Clear
Material	PET
Dimensions	2.529"W x 1.709"H
Label Panel Dimensions	3.688"Dia. x 1.07"H
Neck Finish	89-400
Neck Width	89mm
BPA Free	Yes
FDA Approved	Yes
Pallet Pack	3,480 ea.



Capacity: 16 fl oz (535 ml)

Neck diameter / Finish: 89mm / 400

Approx. dimensions: 3" square x 3" high

Label Panel: fits labels up to 6.5" wide x 1.75" high

Weight: approx. 39 grams