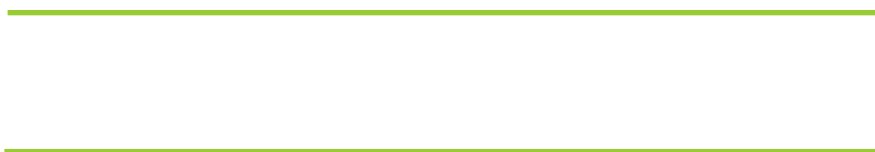


# IF YOU...



MIX IT. FILL IT. PACK IT. SHIP IT.

# WE HAVE A PRODUCT FOR YOU



Part #	68W1GF
Neck Width	110 mm
Neck Finish	110-400
Cap Liner	Unlined - No Liner
Cap Dispensing	5 Slots
Color	Green
Material	PP



110mm-400 Flapper™

MATERIAL POLYPROPYLENE

BOTTLE F.N.S.H. 400  
F.T.S. MOST C.C.M.A. BOTTLE  
F.N.S.H.S

STAT. C. TORQUE  
RECOMMENDATION  
52-73 N-LBS WHEN USED WITH  
NECK F.N.S.H. DWG ON PAGE 3.  
THIS REQUIREMENT  
MAY VARY DEPENDING UPON  
BOTTLE MATERIAL, NECK F.N.S.H.  
AND CAPPING EQUIPMENT.

LOGO INSERT  
TYPICAL LOGO DEPTH/HEIGHTS  
.005". EACH LOGO GRAPHIC  
SHOULD BE EVALUATED ON A  
CASE BY CASE BASIS.

THE CLOSURE DEVICES  
SHOWN ARE THOSE WHICH  
HAVE GENERALLY BEEN FOUND  
TO BE FUNCTIONAL BASED ON  
INDUSTRY EXPERIENCE  
BECAUSE OF VARIABILITY IN  
GLASS AND PLASTIC CONTACT  
F.N.S.H.S EACH  
CLOSURE/F.N.S.H. SYSTEM  
SHOULD BE INDIVIDUALLY  
EVALUATED AND TESTED TO  
ENSURE IT MEETS APPLICABLE  
PERFORMANCE CRITERIA. SEE  
QUALITY ASSURANCE  
SPECIFICATIONS FOR  
ADDITIONAL INFORMATION.

SHT. 1 OF 4  
DATE 23-July-2012  
DRAWN BY MAZ

AUTHORIZED FOR USE BY

Brian Groubert

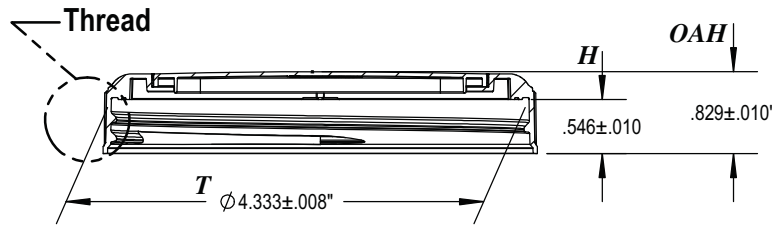
DATE

110mm-400™  
Flapper

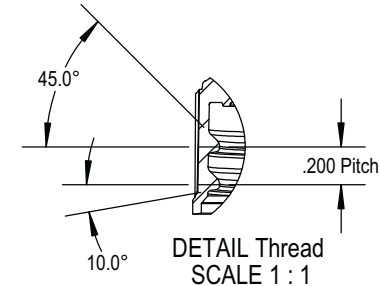
S-218-00-10-AB



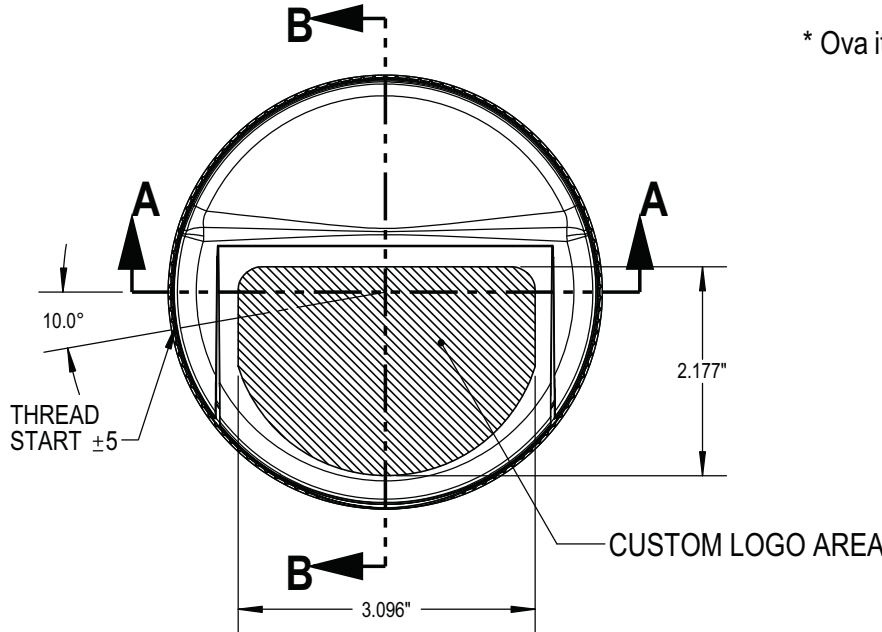
PH 630-629-6600 - FX 630-629-3690  
1195 W. FULLERTON AVE. - ADDISON, L 60101  
WWW.THECARYCOMPANY.COM



SECTION A-A

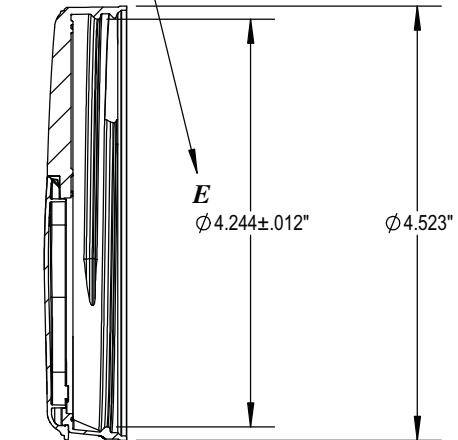


DETAIL Thread  
SCALE 1:1



\* Ovality: 0 - 0.030"

MAX OD



SECTION B-B

Note:  
The "T" & "E" dimensions are to be measured at the top of the closure at a point near the end of the full thread and at a second point perpendicular to the first measurement point.

THREAD DETAIL  
1 1/4 Threads, Right Hand, 5 THDS/IN

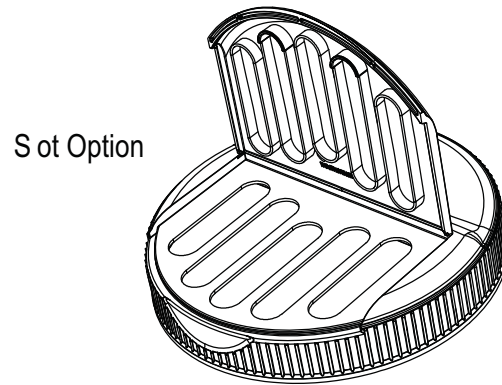
OPENING FORCE: 4.5 +/- 2.5LBS

STANDARD COLORS

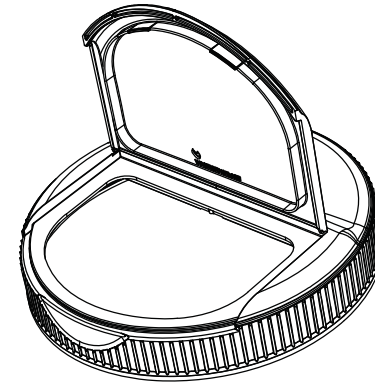
- White
- Yellow
- Red
- Green
- Black
- Blue
- Brown

STANDARD PACKAGING

- 300 Pieces per Carton
- 28 Cartons per Pallet
- Carton Dimensions: 24"x20"x11"
- Carton Weight: 23 pounds
- 8,400 Pieces per pallet
- Pallet Dimensions: 48"x40"x78"

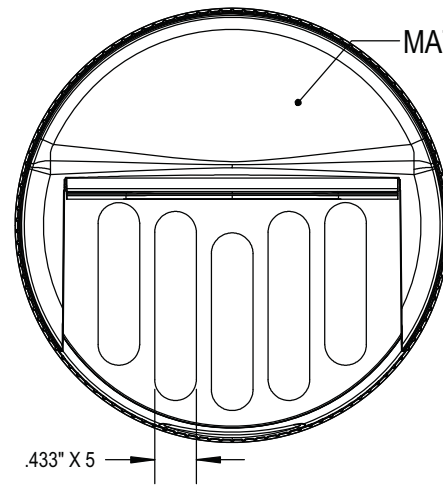


Sot Option



Pour Option

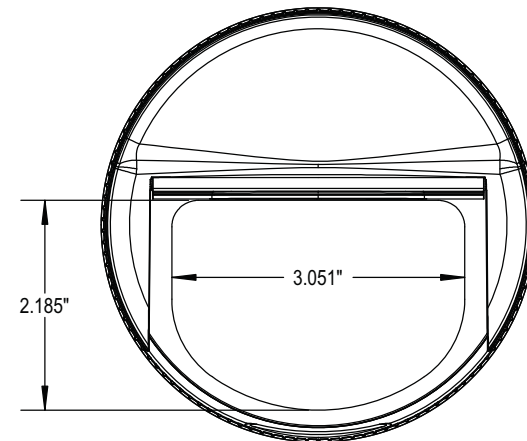
**110mm-400 Flapper Options**



.433" X 5

Sot Option

PART WEIGHT: 28.59 g +/- 0.25  
 DISPENSING AREA: 3.77 IN<sup>2</sup>



2.185"

Pour Option

PART WEIGHT: 26.07g +/- 0.50  
 DIE SPENSING AREA: 5.9 IN<sup>2</sup>

SHT. 2 OF 4

Liner Cut Details

110mm-400™ Flapper	Round Cut $\phi$	Tabbed Cut $\phi$	Number of Tabs	Standard Liner Type(s)
	4.350"	4.510"	3	Pressure Sensitive Foam, Induction Sea, Conduction Sea

**S-218-00-10-AB**