

# IF YOU...



MIX IT. FILL IT. PACK IT. SHIP IT.

# WE HAVE A **PRODUCT** FOR YOU

Part #68W25B

Plastic Caps

---

24mm 24-410 Black Smooth Plastic Cap  
w/PS22 Liner (Printed)

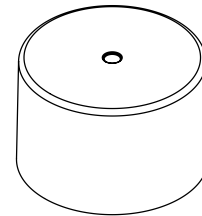
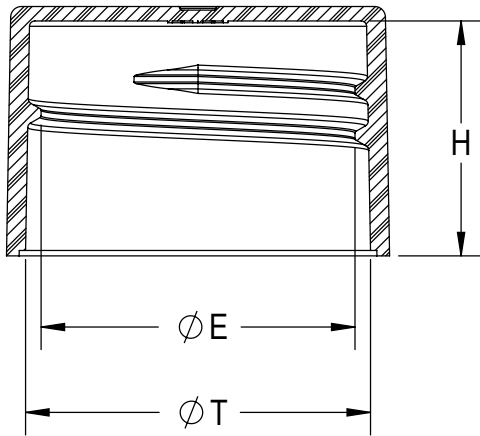
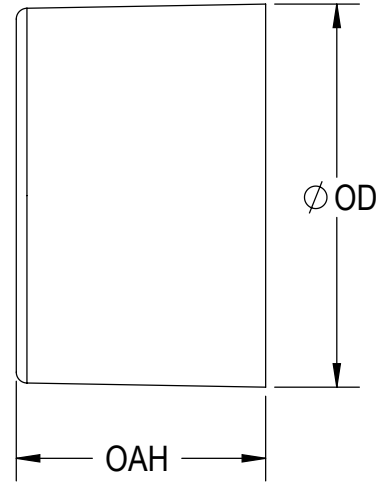
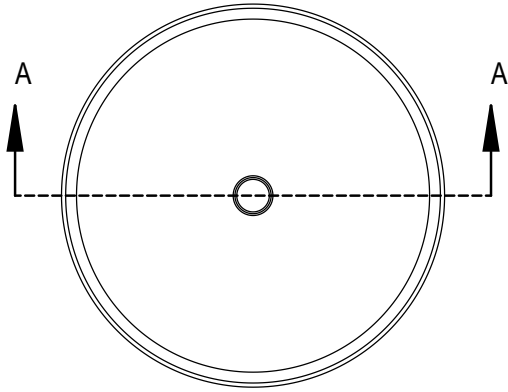
---



---

The  
**CARY**COMPANY  
Est. 1895

1195 W. Fullerton Ave. | Addison, IL 60101 | T: 630.629.6600 | F: 630.629.3690 | [TheCaryCompany.com](http://TheCaryCompany.com)



SCALE 1:1

SECTION A-A

STATIC TORQUE RECOMMENDATION: 10-18 in-lbs  
 REQUIREMENT. MAY VARY DEPENDING UPON CONTAINER MATERIAL,  
 NECK FINISH, AND CAPPING EQUIPMENT

DIMENSIONS ENCLOSED IN ( ) INDICATE REFERENCE DIMENSIONS  
 AND NO TOLERANCE LIMITS ARE ESTABLISHED

DIMENSIONS PRECEDED BY AN "\*" INDICATE THE DIMENSION IS  
 PROCESS SENSITIVE. PROCESS SENSITIVE DIMENSIONS ARE  
 VERIFIED TO BE WITHIN THE TOLERANCE LIMITS DURING THE  
 PRODUCTION RUN. ALL REMAINING DIMENSIONS ARE VERIFIED AT  
 PRODUCTION VALIDATION.

REFERENCE	DIMENSION	TOLERANCE	UNITS
Ø E	0.868 [22.05]	±0.010 [0.25]	in [mm]
Ø T	0.955 [24.26]	±0.010 [0.25]	in [mm]
H	0.640 [16.26]	±0.010 [0.25]	in [mm]
OAH	0.690 [17.53]	±0.010 [0.25]	in [mm]
Ø OD	1.060 [26.92]	±0.010 [0.25]	in [mm]
Part Weight	2.10	± 0.20	g

DRAWING TITLE:  
**24-410 CT**  
 SL (SMOOTH SIDES, SMOOTH TOP)

MATERIAL: POLYPROPYLENE

DRAWING TYPE: CUSTOMER DISTRIBUTION CODE: **D**

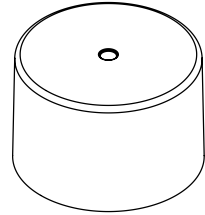
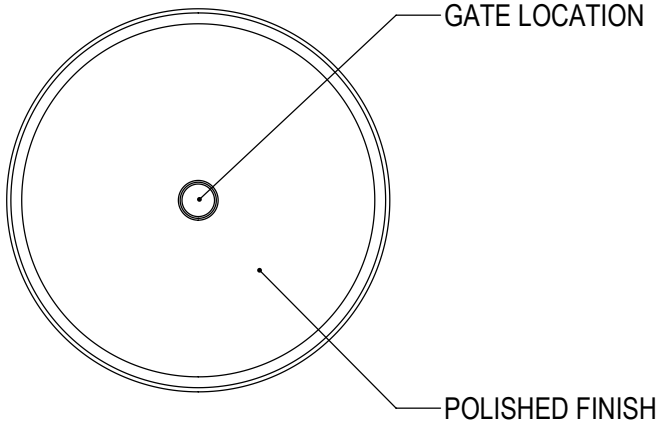
REPLACES DRAWINGS: C-8029-SL

MODEL NUMBER: PM 10724 24-410 CT

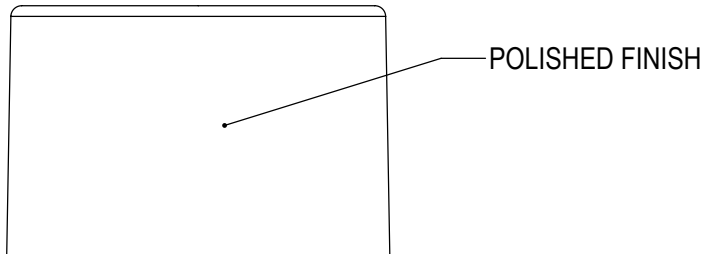
THREAD DETAIL INFORMATION: 8 THREADS PER INCH 0.125" [3.18] PITCH 450° FULL DEPTH THREADS

THE PART DIMENSIONS DEPICTED ARE THOSE WHICH HAVE GENERALLY BEEN FOUND TO BE FUNCTIONAL BASED ON INDUSTRY EXPERIENCE.  
 BECAUSE OF VARIABILITY IN CONTAINER FINISHES, EACH CLOSURE/FINISH SYSTEM SHOULD BE INDIVIDUALLY EVALUATED AND TESTED TO  
 ENSURE IT MEETS APPLICABLE PERFORMANCE CRITERIA.

DRAWN BY: LMB	2/7/2014	DWG SIZE: 8.5" x 11"	DRAWING NUMBER:	REVISION:
ENG APPR: CAN	3/25/2022	SCALE: 2:1 & NOTED	SHEET: 1 OF 3	<b>CQA-10051 01.AD</b>
QA APPR: TEM	03/28/2022			



SCALE 1:1



DIMENSIONS ENCLOSED IN ( ) INDICATE REFERENCE DIMENSIONS AND NO TOLERANCE LIMITS ARE ESTABLISHED

DATE	REV	N/P	DESCRIPTION	ENG	DRW
3/21/2022	00	AA	UPDATED DRAWING FORMAT, CORRECTED H ON RNF (SHEET 3)	CAN	CAN
12/19/2017	01	AC	CORRECTED RECOMMENDED NECK FINISH MODEL	BDG	DAS
04/27/2017	01	AB	UPDATED DRAWING FORMAT	BDG	DAS
02/07/2014	01	AA	INITIAL RELEASE, NEW DRAWING CREATED SUPERSEDES C-8029-SL	LMB	LMB

DRAWING TITLE:

**24-410 CT**  
**SL (SMOOTH SIDES, SMOOTH TOP)**  
**(MANUAL DESCRIPTION)**

THIS MASTER DOCUMENT IS CONTROLLED ELECTRONICALLY. PRINTED OR DOWNLOADED COPIES ARE UNCONTROLLED. DOCUMENT USERS ARE RESPONSIBLE FOR ENSURING THEY HAVE THE LATEST REVISION PRIOR TO USE.

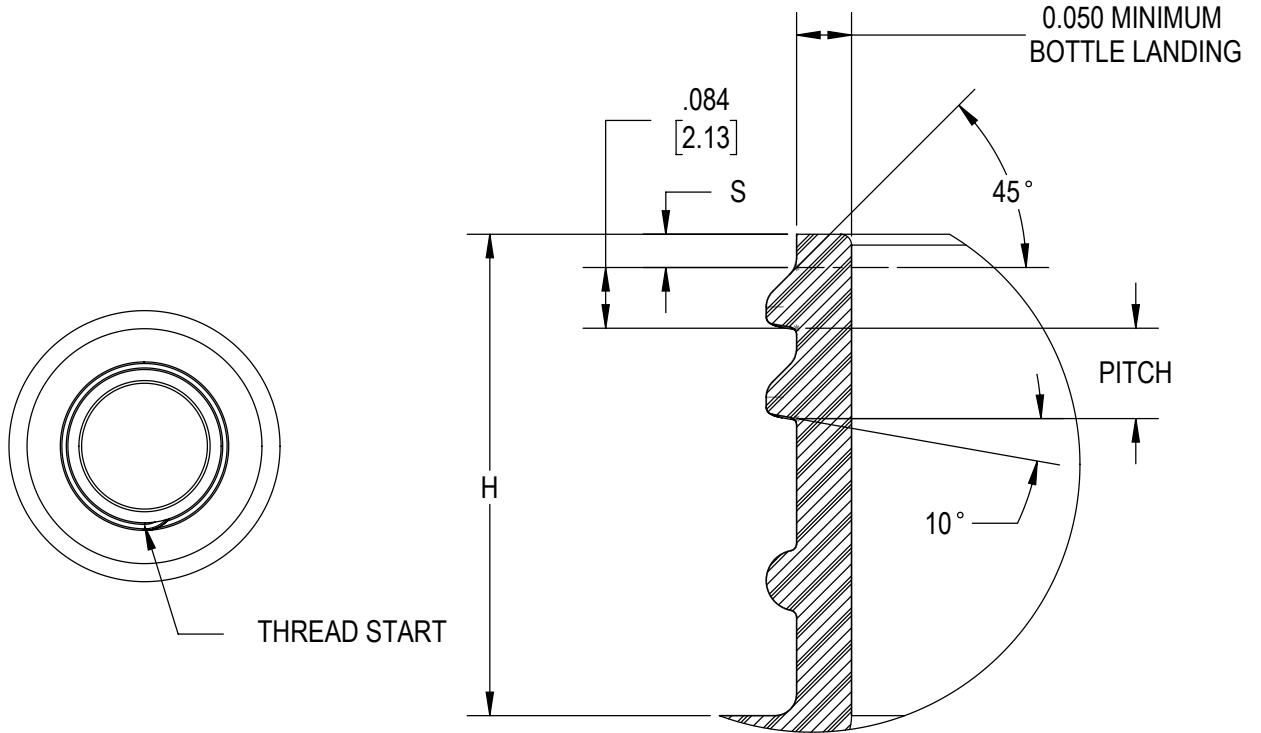
DRAWING TYPE: CUSTOMER      DISTRIBUTION CODE: **D**

DWG SIZE: 8.5" x 11"      DRAWING NUMBER:      REVISION:

SCALE: 2:1 & NOTED      SHEET: 2 OF 3      **CQA-10051**      **01.AD**

**REVISION HISTORY**

REVISIONS: REV: A PHYSICAL CHANGE TO THE PART IMPACTING FIT, FORM OR FUNCTION  
 N/P: DRAWING OR SPECIFICATION CHANGE ONLY



DETAIL THREAD  
SCALE 4 : 1



SECTION B-B

NECK FINISH DIMENSIONS ASSUME ZERO THICKNESS (NO) LINER

REFERENCE	DIMENSION	TOLERANCE	UNITS
$\phi E$	0.848 [21.54]	$\pm 0.008$ [0.20]	in [mm]
$\phi T$	0.932 [23.67]	$\pm 0.008$ [0.20]	in [mm]
S	0.046 [1.17]	$\pm 0.015$ [0.38]	in [mm]
H	0.650 [16.51]	MINIMUM	in [mm]
THREADS PER INCH	8		
PITCH	0.125 [3.18]		in [mm]

DRAWING TITLE:

**24-410 CT**  
**RECOMMENDED NECK FINISH**

THIS MASTER DOCUMENT IS CONTROLLED ELECTRONICALLY. PRINTED OR DOWNLOADED COPIES ARE UNCONTROLLED. DOCUMENT USERS ARE RESPONSIBLE FOR ENSURING THEY HAVE THE LATEST REVISION PRIOR TO USE.

DRAWING TYPE: CUSTOMER		DISTRIBUTION CODE: D	
DWG SIZE: 8.5" x 11"	DRAWING NUMBER:	REVISION:	
SCALE: 1:1 & NOTED	SHEET: 3 OF 3	CQA-10051	01.AD