

# IF YOU...



MIX IT. FILL IT. PACK IT. SHIP IT.

# WE HAVE A PRODUCT FOR YOU

Part #: 68W25C

---

---

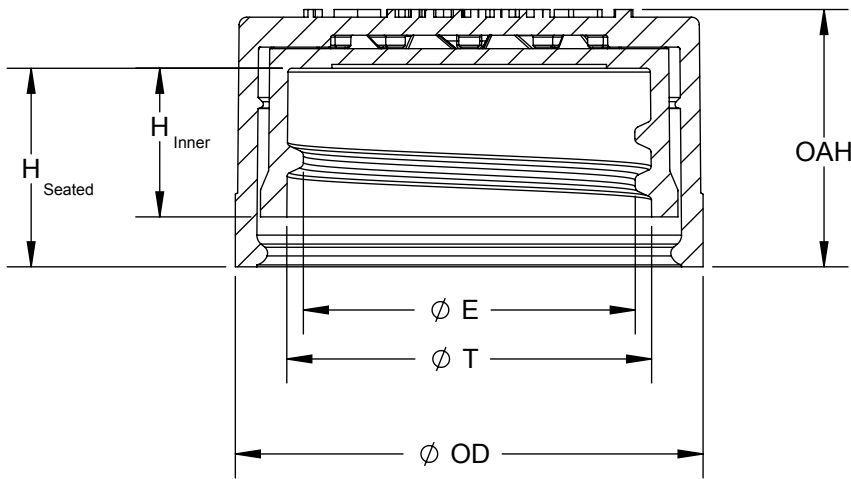
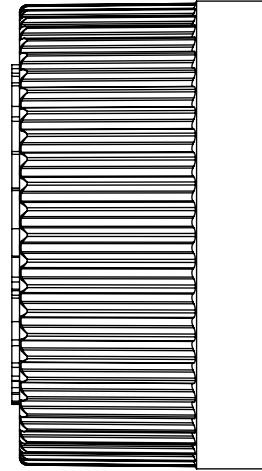
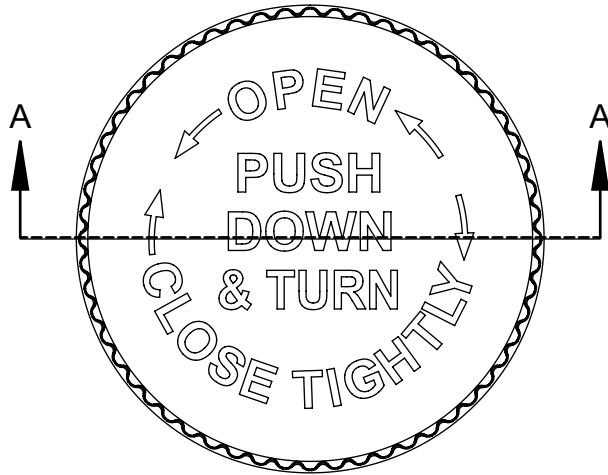


---

The  
**CARY**COMPANY  
Est. 1895

1195 W. Fullerton Ave. | Addison, IL 60101 | T: 630.629.6600 | F: 630.629.3690 |

Part #68W25C  
24mm 24-400 White Child Resistant Cap (PDT)



SECTION A-A  
SCALE 1:1  
SCALE 2:1

8 THREADS PER INCH, .125 PITCH,  
380° FULL DEPTH THREAD

REFERENCE	TOLERANCE	DIMENSION	UNITS
E	±0.010 [0.25]	0.865 [21.97]	in [mm]
T	±0.010 [0.25]	0.950 [24.13]	in [mm]
H (Seated)	REFERENCE	0.517 [13.13]	in [mm]
H (Inner)	±0.007 [0.18]	0.388 [9.86]	in [mm]
OAH	±0.015 [0.38]	0.668 [16.97]	in [mm]
OD	±0.015 [0.38]	1.217 [30.91]	in [mm]
PART WEIGHT	± 0.60	4.10	g

STATIC TORQUE RECOMMENDATION  
10-18 in-lbs  
THIS REQUIREMENT MAY VARY DEPENDING  
UPON BOTTLE MATERIAL, NECK FINISH, AND  
CAPPING EQUIPMENT

DRAWING TYPE : CUSTOMER

REPLACES DRAWINGS:  
C-8021

DIMENSIONS ENCLOSED IN ( )  
INDICATE REFERENCE  
DIMENSIONS AND NO TOLERANCE  
LIMITS ARE ESTABLISHED

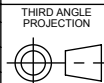
TOLERANCES UNLESS OTHERWISE SPECIFIED

DIMENSION (inches)	TOLERANCE	DIMENSION (mm)	TOLERANCE
0-0.787	±0.006	0-20	±0.152
0.788-1.181	±0.008	21-30	±0.203
1.182-2.756	±0.012	31-70	±0.305
2.757-3.937	±0.016	71-100	±0.406
3.938-5.096	±0.020	101-150	±0.508
5.097-7.874	±0.024	151-200	±0.610
7.875-9.843	±0.032	201-250	±0.813

ANGULAR TOLERANCE ± 2°

THE CLOSURE DIMENSIONS  
DEPICTED ARE THOSE WHICH HAVE GENERALLY BEEN  
FOUND TO BE FUNCTIONAL BASED ON INDUSTRY  
EXPERIENCE BECAUSE OF VARIABILITY IN GLASS AND  
PLASTIC CONTAINER FINISHES, EACH CLOSURE/FINISH  
SYSTEM SHOULD BE INDIVIDUALLY EVALUATED AND  
TESTED TO ENSURE IT MEETS APPLICABLE  
PERFORMANCE CRITERIA. SEE QUALITY ASSURANCE  
SPECIFICATIONS FOR ADDITIONAL INFORMATION.

The  
**CARY COMPANY**  
Est. 1895



SOLIDWORKS

DISTRIBUTION  
CODE

D

DRAWING NAME

24-400 CRC ASSM  
PDT EMBOSS LOGO

DRAWING NUMBER

CQA - 10155

DRAWN BY.

BDG

1/19/2016

MATERIAL

POLYPROPYLENE

ENG APPR.

BDG

6/23/2017

MODEL NUMBER

PM 10153 24-400 CRC PDT Assm

QA APPR.

REL

7/5/2017

SCALE

1:1

SHEET SIZE

11in\*17in

SHEET

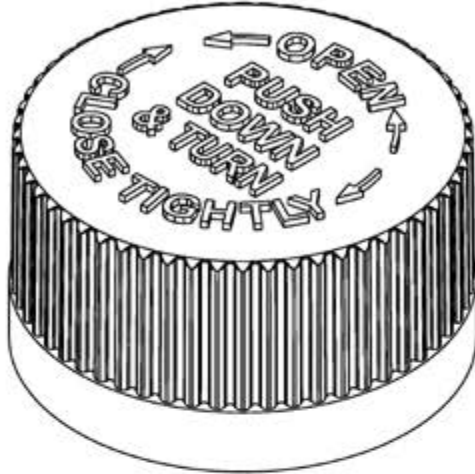
1 of 3

REV/ NP

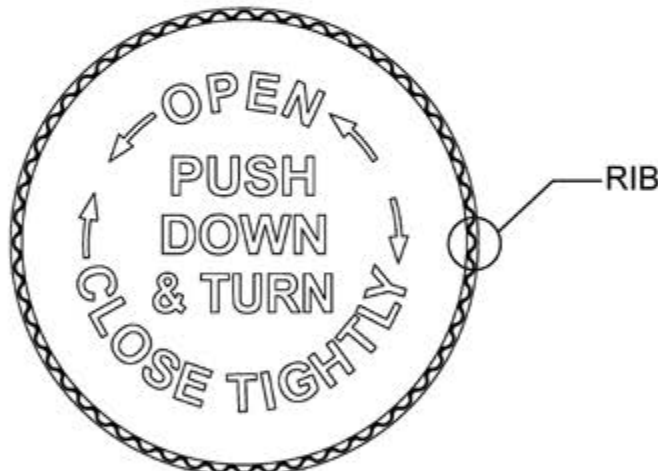
01.AE

Part #68W25C  
24mm 24-400 White Child  
Resistant Cap (PDT)

REVISIONS					
DATE	REV.	N/P	DESCRIPTION	ENG	DRW
10/20/14	01	AA	INITIAL DRAWING RELEASED	BDG	BDG
05/27/16	01	AB	UPDATED SPEC BASED ON REQUALIFICATION AND ADDITION OF CAPACITY MOLD	BDG	BDG
01/06/17	01	AC	UPDATED PRINT FORMAT	BDG	BDG
01/13/17	01	AD	CORRECTED RNF E DIM 0.848 WAS 1.848	BDG	BDG
06/23/17	01	AE	CORRECTED H TOLERANCE TO 0.18 WAS .018	BDG	BDG



DETAIL RIB  
SCALE 10 : 1  
(56) EQUISPACED RIBS

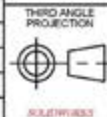


SCALE 2 : 1

DRAWING TYPE : CUSTOMER			
REFERENCES:		DIMENSIONS ENCLOSED IN ( ) INDICATE REFERENCE DIMENSIONS AND NO TOLERANCE LIMITS ARE ESTABLISHED	
TOLERANCES UNLESS OTHERWISE SPECIFIED			
DIMENSION (inches)	TOLERANCE	DIMENSION (mm)	TOLERANCE
0-0.787	±0.006	0-20	±0.152
0.788-1.181	±0.008	21-30	±0.203
1.182-2.756	±0.012	31-70	±0.305
2.757-3.937	±0.016	71-100	±0.406
3.938-5.096	±0.020	101-150	±0.508
5.097-7.874	±0.024	151-200	±0.610
7.875-9.843	±0.032	201-250	±0.813
ANGULAR TOLERANCE ± 2°			

The **CARY COMPANY**  
Est. 1895

THE CLOSURE DIMENSIONS DEPICTED ARE THOSE WHICH HAVE GENERALLY BEEN FOUND TO BE FUNCTIONAL BASED ON INDUSTRY EXPERIENCE BECAUSE OF VARIABILITY IN GLASS AND PLASTIC CONTAINER FINISHES. EACH CLOSURE/FINISH SYSTEM SHOULD BE INDIVIDUALLY EVALUATED AND TESTED TO ENSURE IT MEETS APPLICABLE PERFORMANCE CRITERIA. SEE QUALITY ASSURANCE SPECIFICATIONS FOR ADDITIONAL INFORMATION.



DISTRIBUTION CODE  
**D**

DRAWING NAME  
**24-400 CRC ASSM  
PDT EMBOSS LOGO**

DRAWING NUMBER  
**CQA - 10155**

DRAWN BY: BDG 1/19/2016

MATERIAL  
**POLYPROPYLENE**

ENG APPR: BDG 6/23/2017

MODEL NUMBER  
**PM 10153 24-400 CRC PDT Assm**

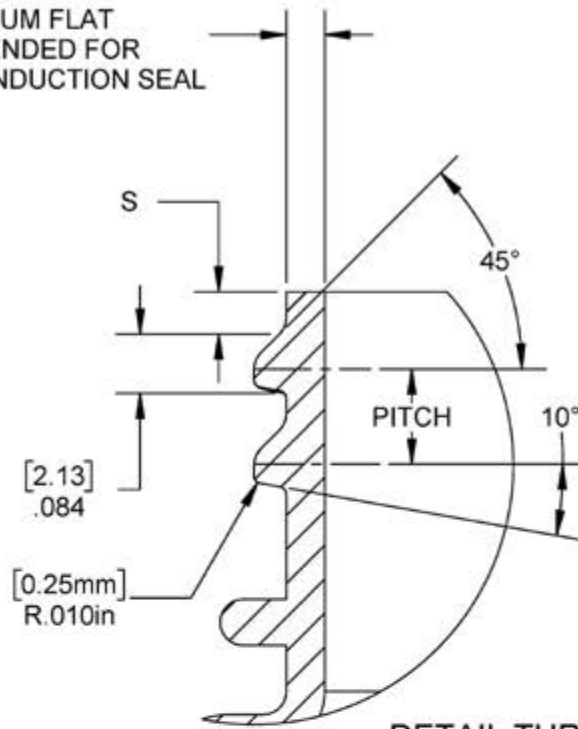
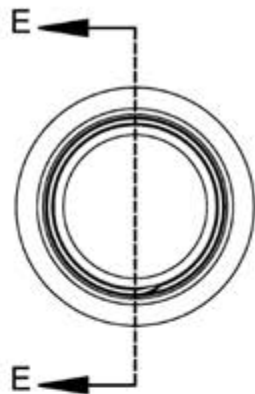
QA APPR: REL 7/5/2017

SCALE	SHEET SIZE	SHEET	REV/NP
1:2	8.5 X 11	2 of 3	01.AE

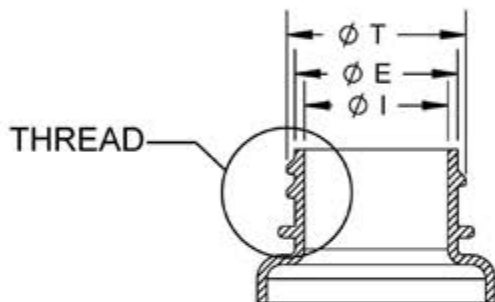
Part #68W25C

24mm 24-400 White Child Resistant Cap (PDT)

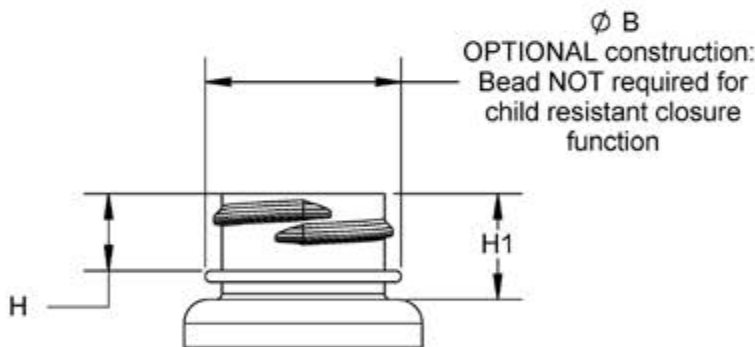
[1.27mm]  
 .050 MINIMUM FLAT  
 RECOMMENDED FOR  
 PROPER INDUCTION SEAL



DETAIL THREAD  
 SCALE 4 : 1



SECTION E-E



REFERENCE	TOLERANCE	UNITS	DIMENSION
E	$\pm 0.008$ [0.20]	in [mm]	0.848 [21.54]
T	$\pm 0.008$ [0.20]	in [mm]	0.932 [23.67]
I	MINIMUM	in [mm]	0.516 [13.11]
S	$\pm 0.015$ [0.38]	in [mm]	0.046 [1.17]
H	MINIMUM	in [mm]	0.400 [10.16]
H1	MINIMUM	in [mm]	0.550 [13.97]
$\phi$ BEAD	MAXIMUM	in [mm]	1.020 [25.91]
TPI		in	8
PITCH		in [mm]	0.125 [3.16]

NOTE: THE NOMINAL ORIENTATION ILLUSTRATED IS BASED ON NOMINAL DIMENSIONS OF BOTH THE CLOSURE AND THE RECOMMENDED NECK FINISH. FOR EXACT ORIENTATION EACH BOTTLE SHOULD BE EVALUATED ON A CASE BY CASE BASIS.

THE CLOSURE DIMENSIONS DEPICTED ARE THOSE WHICH HAVE GENERALLY BEEN FOUND TO BE FUNCTIONAL BASED ON INDUSTRY EXPERIENCE BECAUSE OF VARIABILITY IN GLASS AND PLASTIC CONTAINER FINISHES. EACH CLOSURE/FINISH SYSTEM SHOULD BE INDIVIDUALLY EVALUATED AND TESTED TO ENSURE IT MEETS APPLICABLE PERFORMANCE CRITERIA. SEE QUALITY ASSURANCE SPECIFICATIONS FOR ADDITIONAL INFORMATION.

DRAWING TYPE : CUSTOMER

DIMENSIONS ENCLOSED IN ( ) INDICATE REFERENCE DIMENSIONS AND NO TOLERANCE LIMITS ARE ESTABLISHED

TOLERANCES UNLESS OTHERWISE SPECIFIED

DIMENSION (inches)	TOLERANCE	DIMENSION (mm)	TOLERANCE
0-0.787	$\pm 0.006$	0-20	$\pm 0.152$
0.788-1.181	$\pm 0.008$	21-30	$\pm 0.203$
1.182-2.756	$\pm 0.012$	31-70	$\pm 0.305$
2.757-3.937	$\pm 0.016$	71-100	$\pm 0.406$
3.938-5.096	$\pm 0.020$	101-150	$\pm 0.508$
5.097-7.874	$\pm 0.024$	151-200	$\pm 0.610$
7.875-9.843	$\pm 0.032$	201-250	$\pm 0.813$

ANGULAR TOLERANCE  $\pm 2^\circ$

The  
**CARY COMPANY**  
 Est. 1895



DISTRIBUTION CODE  
**D**

DRAWING NAME  
**24-400 CRC ASSM  
 RECOMMENDED NECK FINISH**  
 DRAWING NUMBER  
**CQA - 10155**

DRAWN BY: BDG 1/19/2016  
 ENG APPR: BDG 6/23/2017  
 QA APPR: REL 7/5/2017

MATERIAL  
 MODEL NUMBER  
 SCALE: 1:1  
 SHEET SIZE: 8.5 X 11  
 SHEET: 3 of 3  
 REV W/P: 01.AE