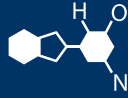


# IF YOU...

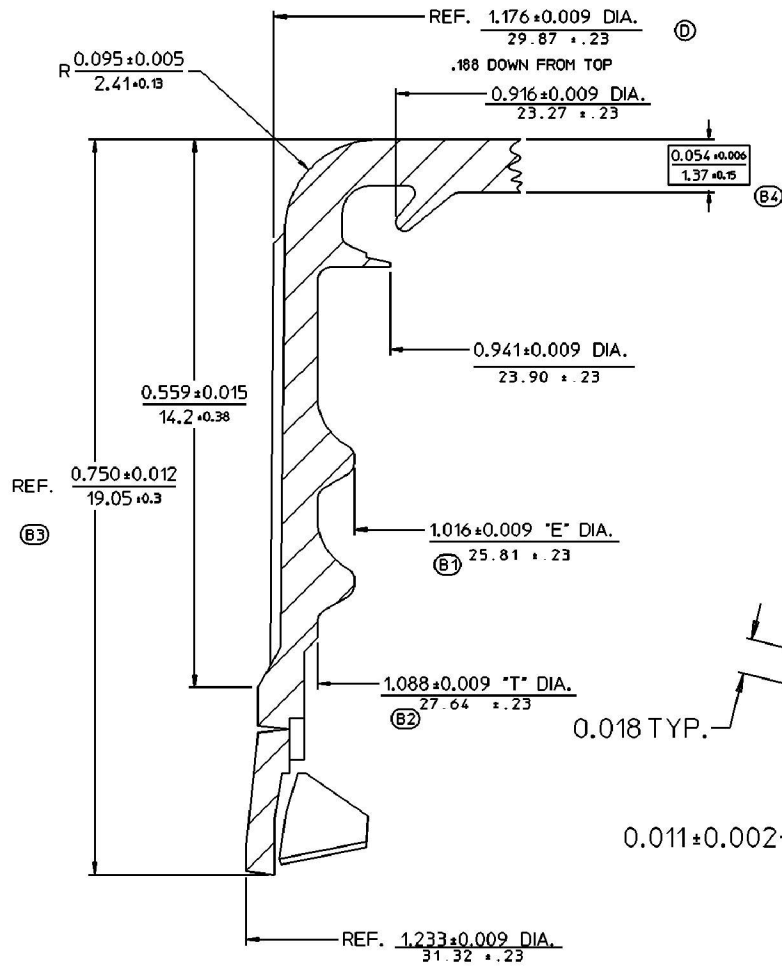


MIX IT. FILL IT. PACK IT. SHIP IT.

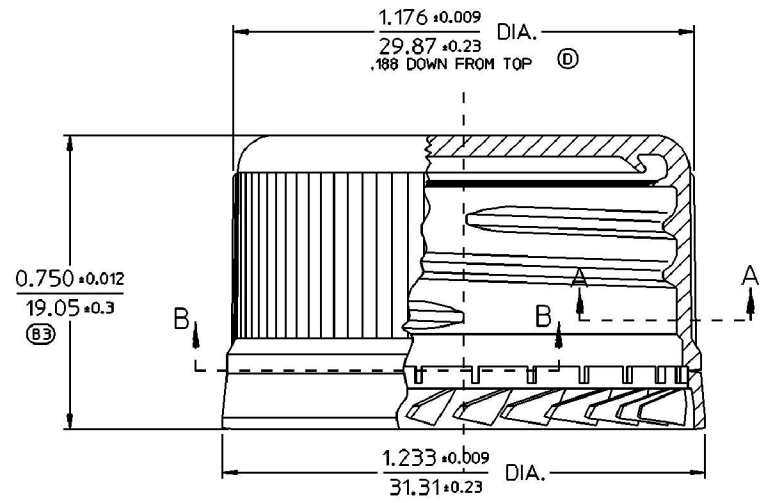
# WE HAVE A PRODUCT FOR YOU



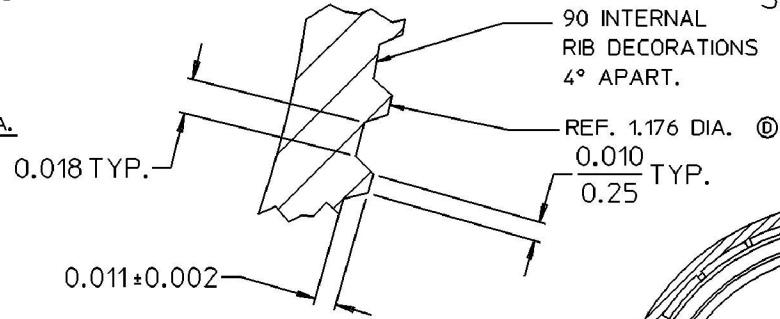
Part #	68W27B
Neck Width	28mm
Neck Finish	PCO-1810
Color	Black
Material	PP
Case Pack	3,800 ea.
Pallet Pack	136,800 ea. (36 Cases)
Industries	Food & Beverage
Note	The 68W27B is used with 68W32A (amber) or 68WC32 (clear) PET Growlers



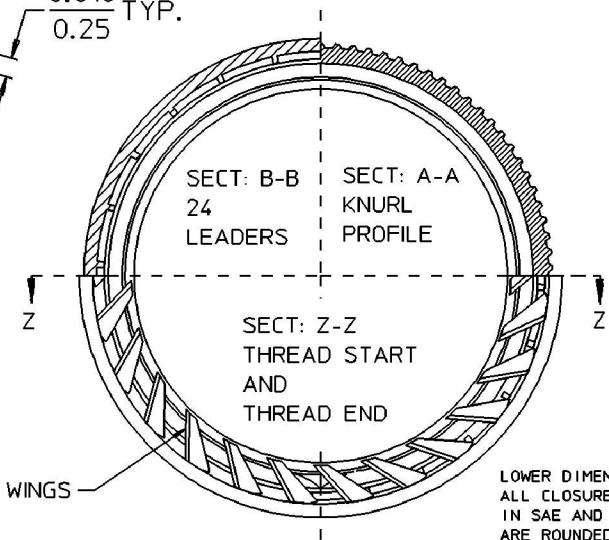
SHELL DETAIL  
SCALE 10/1



SECTION Z-Z



KNURL PROFILE



LOWER DIMENSIONS ARE METRIC  
ALL CLOSURES ARE DESIGNED  
IN SAE AND METRIC DIMENSIONS  
ARE ROUNDED TO (2) PLACES

4. BOTTLE FINISH: ALCOA 969-1716
3. SHELL MATERIAL: POLYPROPYLENE
2. TAMPER EVIDENCE IS AVAILABLE IN THREE OPTIONS:
  - A) 360° HORIZONTAL SCORED BAND.
  - B) 350° HORIZONTAL SCORED W/ VERTICAL SCORED BAND.
  - C) 350° HINGED BAND.
1. THREAD PITCH:  
8 PER INCH  
FULL DEPTH OF THREAD TO  
BE APPROX. 2 FULL TURNS.

GENERAL NOTES  
UNLESS OTHERWISE SPECIFIED

- TOLERANCES -  
DECIMAL DIMENSIONS ± 0.010  
ANGULAR DIMENSIONS ± °
- FINISHED SURFACES TO BE ✓
- BREAK ALL SHARP EDGES 0.010 MAX. AND REMOVE  
ALL BURRS TO REDUCE CUT POTENTIAL

The  
**CARY COMPANY**  
— Est. 1895

B3	WAS 0.753 +/- 0.015	08/96	JB
B2	WAS 1.087 +/- 0.009	08/96	JB
B1	WAS 1.012 +/- 0.009	08/96	JB
A	RELEASE FOR MFG.	07/95	DB
D	WAS 1.184	04/01	SG
C	REVISED TITLE	10/96	JB
B5	ADDED METRIC DIMS	08/96	JB
B4	ADDED DIMENSION	08/96	JB

REV.	REVISION	DATE	APP.
1	RELEASE FOR MFG.	07/95	DB

DRAWN BY  
Dave B.  
CHKD.  
APPD.  
DATE  
11/23/94  
SCALE  
4/1

COMPOSITE,  
AQUA-LOK III  
28MM  
CLOSURE

DWG. NO. **ZX**  
WHERE USED  
SPT. 1 OF 1