

IF YOU...



MIX IT. FILL IT. PACK IT. SHIP IT.

WE HAVE A **PRODUCT** FOR YOU

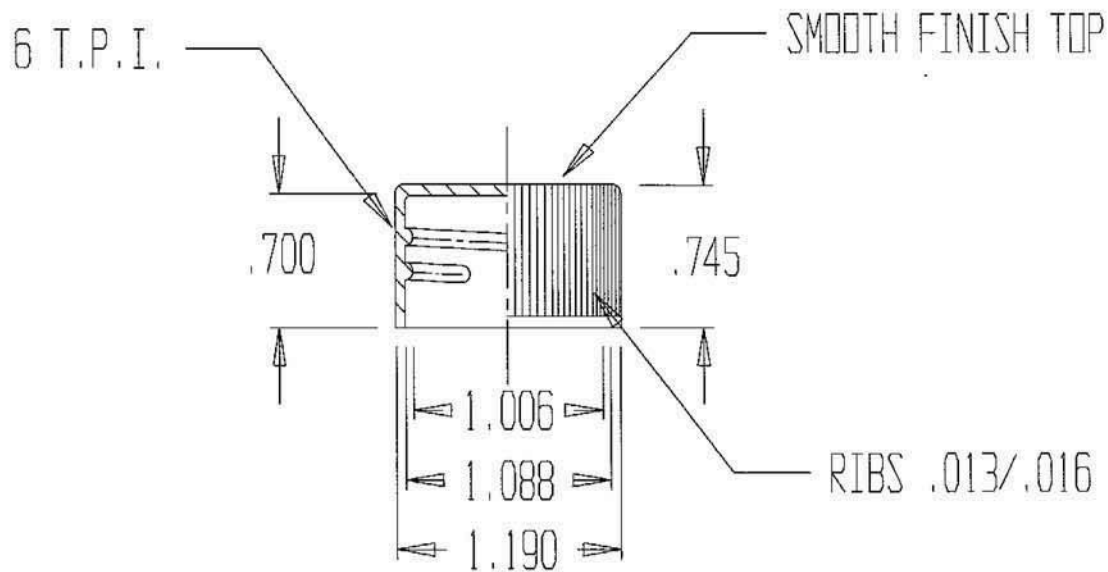


Part #	68W28B
Neck Width	28mm
Neck Finish	28-410
Color	Black
Material	PP



REVISIONS

REV.	DATE	APPROVAL	DESCRIPTION
1	06-29-04	G.G.	"T", WEIGHT TOLERANCE



UNCONTROLLED

"T"	"E"	"H"	"A"	"B"
1.088	1.006	.700	1.190	.745
MATERIAL: POLYPROPYLENE				
WEIGHT: 2.7 GRAMS +/- 1gram				

"RL" 28MM-410 CAP

Supplied By: **The Cary Company**
 Ph: 630-629-6600
 www.thecarycompany.com

CARY

TOLERANCE: +/- .010	DRAWN BY: P.D.T.
SCALE: FULL	DATE: 5-15-96
DRAWING NO. C-8030	