

IF YOU...



MIX IT. FILL IT. PACK IT. SHIP IT.

WE HAVE A **PRODUCT** FOR YOU

Part # 68W28D

Tamper Evident Beverage Caps

28mm Drop-Lok® White Ribbed
Plastic Cap w/EVA Liner



The
CARYCOMPANY
Est. 1895

1195 W. Fullerton Ave. | Addison, IL 60101 | T: 630.629.6600 | F: 630.629.3690 | TheCaryCompany.com

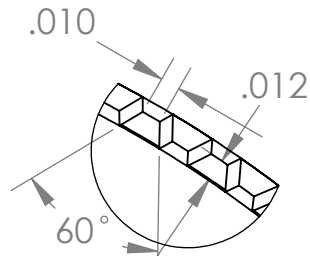
NOTES:

8 THREADS/INCH

DEVIATIONS FROM REFERENCE DIMENSIONS WHICH WILL NOT AFFECT FUNCTION ARE ACCEPTABLE.

HEIGHT DIMENSIONS SUBJECT TO VARIATION DUE TO "CRUSHING" DURING PART EJECTION.

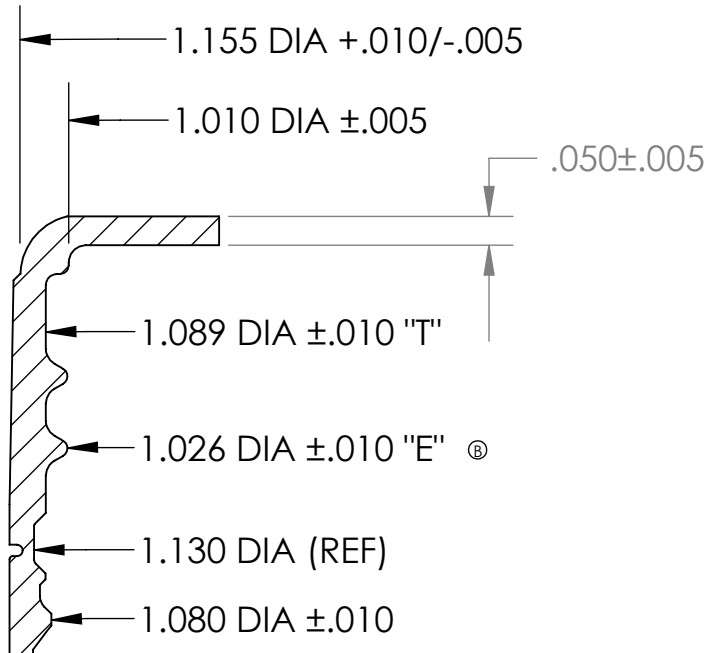
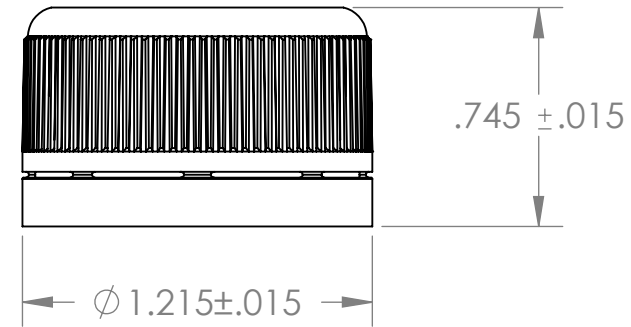
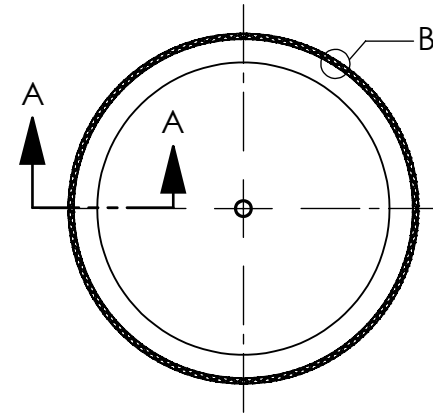
THE DROP-LOK® CLOSURE IS NOT A VENTED CLOSURE AND SHOULD NOT BE USED ON APPLICATIONS THAT PRODUCE INTERNAL PRESSURE IN THE BOTTLE DUE TO CARBONATION, FERMENTATION, ETC.



90 KNURLS

DETAIL B
SCALE 10 : 1

REVISIONS				
ZONE	REV.	DESCRIPTION	DATE	APPROVED
	A	CHANGE NAME IN TITLE BLOCK TO HOFFER	10/8/98	SJL
	B	DIMENSION WAS 1.029 DIA	12/16/98	SJL
	B1	REDRAWN IN CAD	3/4/08	WEI
	C	REMOVED 1769 GLASS BOTTLE FINISH	5/19/08	WEI
	D	ADDED NON-VENTED CLOSURE NOTE	3/16/12	WEI



SECTION A-A
SCALE 3 : 1

GLASS FINISH: 1768 (C)

PLASTIC FINISH: 1763 & 1787

UNLESS OTHERWISE SPECIFIED:

DIMENSIONS ARE IN INCHES
TOLERANCES:
FRACTIONAL ±
ANGULAR: ± 1°
TWO PLACE DECIMAL ± .010
THREE PLACE DECIMAL ± .005

INTERPRET GEOMETRIC
TOLERANCING PER:

MATERIAL
POLYPROPYLENE

FINISH

DO NOT SCALE DRAWING

	NAME	DATE
DRAWN	WEI	3/4/08
DESIGN APPROVED		

COMMENTS:

LINER:

SS-222 1.092 DIA
.030 ± .005 THICK

EVA A-300 1.092 DIA
.028 ± .003 THICK

The
CARY COMPANY
Est. 1895

TITLE:

28 mm DROP-LOK®

SIZE	DWG. NO.	REV
A	CA 28-14	D

SCALE: 3:2 Shrink: SHEET 1 OF 1