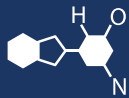


IF YOU...



MIX IT. FILL IT. PACK IT. SHIP IT.

WE HAVE A **PRODUCT** FOR YOU

Part #: 68W28P

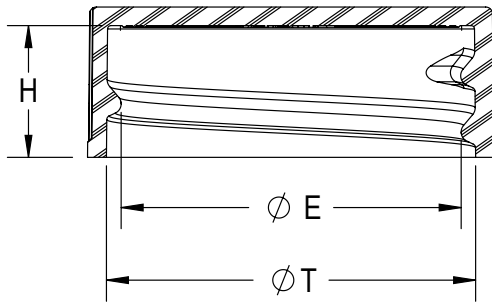
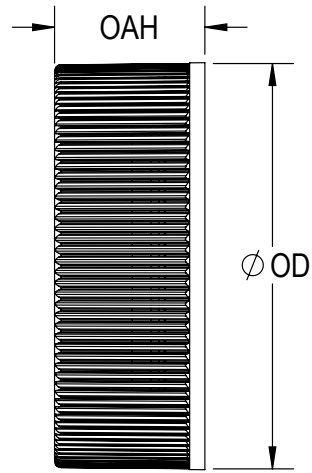
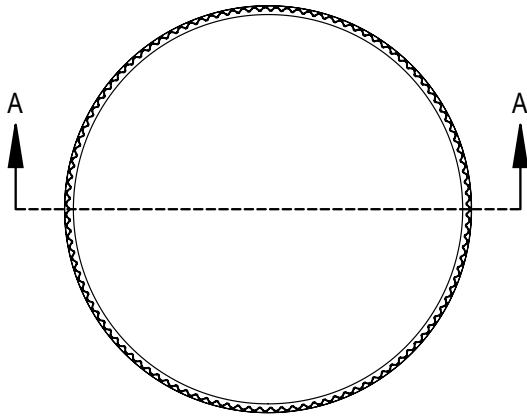
Continuous Thread Caps

28mm 28-400 White Ribbed (Smooth Top)
Plastic Cap w/PS22 Liner (Printed)



The
CARYCOMPANY
Est. 1895

1195 W. Fullerton Ave. | Addison, IL 60101 | T: 630.629.6600 | F: 630.629.3690 |



SECTION A-A

THREAD DETAILS: 6 THREADS PER INCH, 0.167" PITCH			
REFERENCE	TOLERANCE	UNITS	DIMENSION
E	± 0.010 [0.25]	in [mm]	1.010 [25.65]
T	± 0.010 [0.25]	in [mm]	1.095 [27.81]
H	± 0.010 [0.25]	in [mm]	0.390 [9.91]
OAH	± 0.010 [0.25]	in [mm]	0.445 [11.30]
OD	± 0.010 [0.25]	in [mm]	1.205 [30.61]
PART WEIGHT	± 0.15	g	1.93

STATIC TORQUE RECOMMENDATION
12-21 in-lbs
THIS REQUIREMENT MAY VARY DEPENDING
UPON BOTTLE MATERIAL, NECK FINISH, AND
CAPPING EQUIPMENT

DRAWING TYPE: CUSTOMER

REPLACES DRAWINGS:
C-3006

DIMENSIONS ENCLOSED IN ()
INDICATE REFERENCE
DIMENSIONS AND NO TOLERANCE
LIMITS ARE ESTABLISHED

TOLERANCES UNLESS OTHERWISE SPECIFIED

DIMENSION (inches)	TOLERANCE	DIMENSION (mm)	TOLERANCE
0-0.787	± 0.006	0-20	± 0.152
0.788-1.181	± 0.008	21-30	± 0.203
1.182-2.756	± 0.012	31-70	± 0.305
2.757-3.937	± 0.016	71-100	± 0.406
3.938-5.096	± 0.020	101-150	± 0.508
5.097-7.874	± 0.024	151-200	± 0.610
7.875-9.843	± 0.032	201-250	± 0.813

ANGULAR TOLERANCE $\pm 2^\circ$

PROPRIETARY AND CONFIDENTIAL

The
CARYCOMPANY
Est. 1895



THIRD ANGLE
PROJECTION
SOLIDWORKS

DISTRIBUTION
CODE

D

DRAWING NAME

28-400 CT
RS (Ribbed Side - Smooth Top)

DRAWING NUMBER

CQA - 10172

MATERIAL

POLYPROPYLENE

MODEL NUMBER:

PM 10298 28-400 CT

SCALE

1:1

SHEET SIZE

8.5" X 11"

SHEET

1 of 3

REV.NP

00.AD

DRAWN BY: JDM

JDM

2/23/2017

ENG APPR: JDM

JDM

2/5/2020

QA APPR: REL

REL

02/28/2020