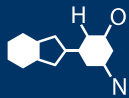


IF YOU...



MIX IT. FILL IT. PACK IT. SHIP IT.

WE HAVE A **PRODUCT** FOR YOU

Part #68W29B

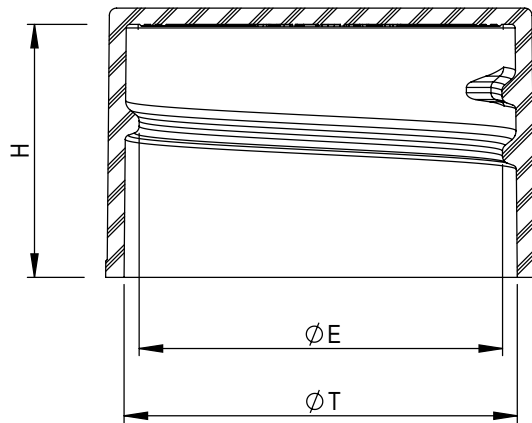
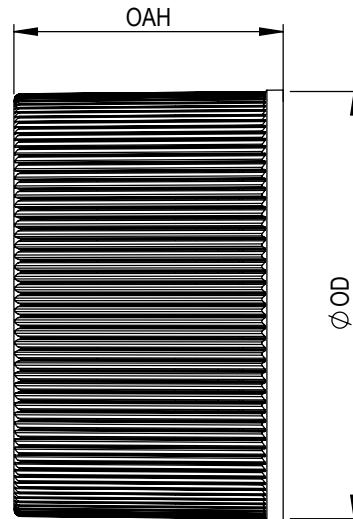
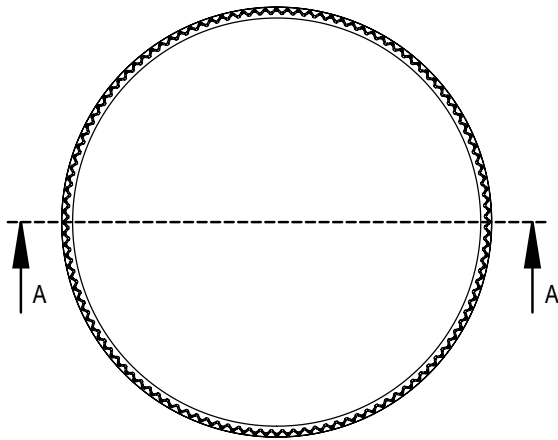
Plastic Caps

28mm 28-410 Black Ribbed (Matte Top)
Plastic Cap w/PS22 & F217 Liner (Printed)



The
CARYCOMPANY
Est. 1895

1195 W. Fullerton Ave. | Addison, IL 60101 | T: 630.629.6600 | F: 630.629.3690 | TheCaryCompany.com



SECTION A-A

STATIC TORQUE RECOMMENDATION: 12-21 in-lbs
 REQUIREMENT MAY VARY DEPENDING UPON CONTAINER MATERIAL,
 NECK FINISH, AND CAPPING EQUIPMENT

DIMENSIONS ENCLOSED IN () INDICATE REFERENCE DIMENSIONS
 AND NO TOLERANCE LIMITS ARE ESTABLISHED

DIMENSIONS PRECEDED BY AN "*" INDICATE THE DIMENSION IS
 PROCESS SENSITIVE. PROCESS SENSITIVE DIMENSIONS ARE
 VERIFIED TO BE WITHIN THE TOLERANCE LIMITS DURING THE
 PRODUCTION RUN. ALL REMAINING DIMENSIONS ARE VERIFIED AT
 PRODUCTION VALIDATION.

THIS MASTER DOCUMENT IS CONTROLLED ELECTRONICALLY.
 PRINTED OR DOWNLOADED COPIES ARE UNCONTROLLED.
 DOCUMENT USERS ARE RESPONSIBLE FOR ENSURING THEY HAVE
 THE LATEST REVISION PRIOR TO USE.

REFERENCE	DIMENSION	TOLERANCE	UNITS
E	1.013 [25.73]	±0.010 [0.25]	in [mm]
T	1.088 [27.64]	±0.010 [0.25]	in [mm]
H	0.695 [17.65]	±0.010 [0.25]	in [mm]
OAH	0.745 [18.92]	±0.010 [0.25]	in [mm]
OD	1.197 [30.40]	±0.010 [0.25]	in [mm]
PART WEIGHT	2.55	±0.50	g

THREAD DETAIL INFORMATION: 6 THREADS PER INCH 0.167" [4.09] PITCH 495° FULL DEPTH THREADS

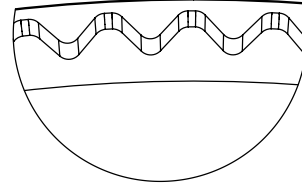
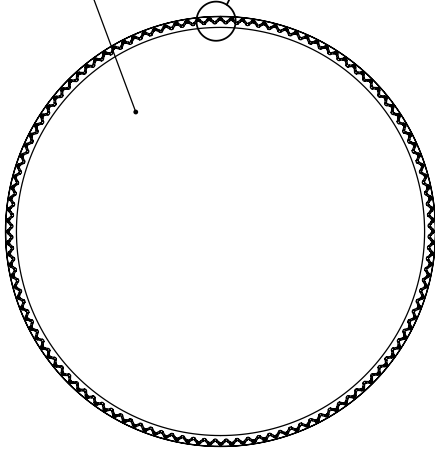
THE PART DIMENSIONS DEPICTED ARE THOSE WHICH HAVE GENERALLY BEEN FOUND TO BE FUNCTIONAL BASED ON INDUSTRY EXPERIENCE.
 BECAUSE OF VARIABILITY IN CONTAINER FINISHES, EACH CLOSURE/FINISH SYSTEM SHOULD BE INDIVIDUALLY EVALUATED AND TESTED TO
 ENSURE IT MEETS APPLICABLE PERFORMANCE CRITERIA.

DRAWN BY:	DAS	3/31/2017
ENG APPR:	CRS	3/25/2022
QA APPR:	PDP	03/25/2022

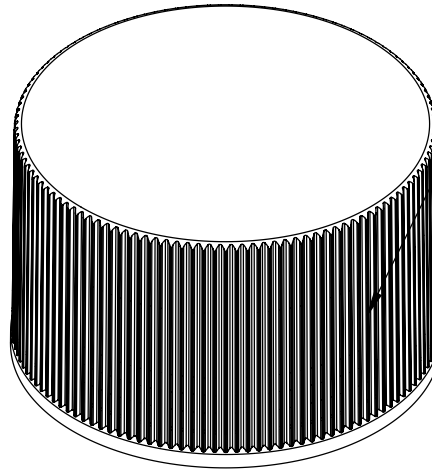
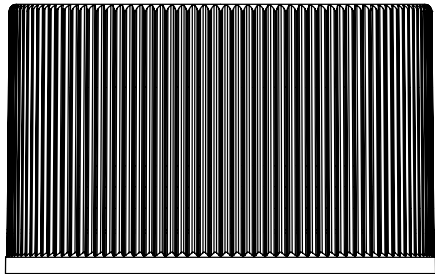
DRAWING TITLE: 28-410 CT Closure RL (Ribbed Side)			
MATERIAL: POLYPROPYLENE			
DRAWING TYPE: CUSTOMER		DISTRIBUTION CODE: D	
REPLACES DRAWINGS: C-8030			
MODEL NUMBER: PM 10890 28-410 CT_RL		DRAWING NUMBER: CQA-10620	
DWG SIZE: 8.5" x 11"	SCALE: 1:1 & NOTED	SHEET: 1 OF 3	REVISION: 00.AB

POLISHED FINISH

RIBS



DETAIL RIBS
SCALE 15 : 1
(120) EQUISPACED RIBS



GATE LOCATION

DIMENSIONS ENCLOSED IN () INDICATE REFERENCE DIMENSIONS AND NO TOLERANCE LIMITS ARE ESTABLISHED

DATE	REV	NP	DESCRIPTION	ENG	DRW
3/23/2022	00	AB	CORRECTED TOP SURFACE MOLD FINISH TO REFLECT MOLDED PARTS. NO STEEL/PART CHANGES HAVE OCCURRED	LMB	CRS
1/16/2019	00	AA	DRAWING UPDATED TO REFLECT HISTORICAL RUN DATA & PROCESS CAPABILITY. NO CHANGES TO THE STEEL OR PART HAVE OCCURRED	JDM	AMK

DRAWING TITLE:

28-410 CT Closure
RL (Ribbed Side)

THIS MASTER DOCUMENT IS CONTROLLED ELECTRONICALLY. PRINTED OR DOWNLOADED COPIES ARE UNCONTROLLED. DOCUMENT USERS ARE RESPONSIBLE FOR ENSURING THEY HAVE THE LATEST REVISION PRIOR TO USE.

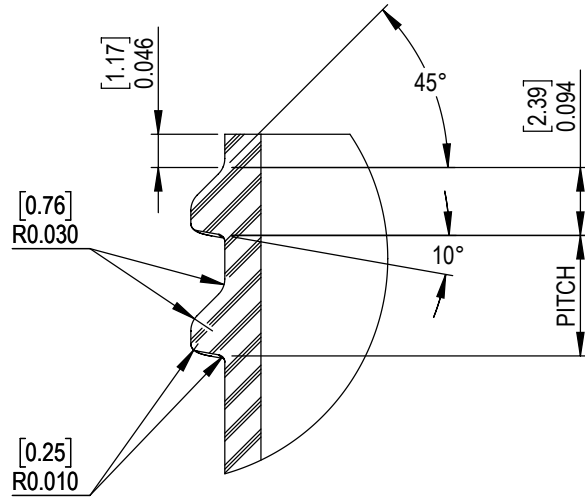
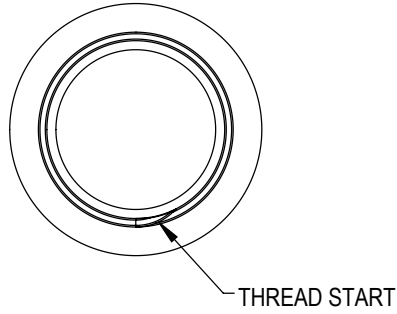
DRAWING TYPE: CUSTOMER DISTRIBUTION CODE: **D**

DWG SIZE: 8.5" x 11" DRAWING NUMBER: REVISION:

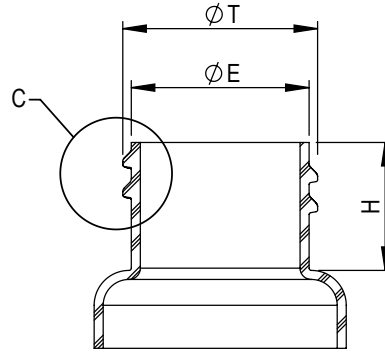
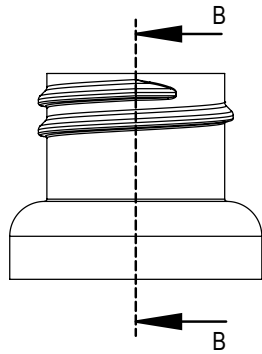
SCALE: 1:1 & NOTED SHEET: 2 OF 3 **CQA-10620** **00.AB**

REVISION HISTORY

REVISIONS: REV: A PHYSICAL CHANGE TO THE PART IMPACTING FIT, FORM OR FUNCTION
NP: DRAWING OR SPECIFICATION CHANGE ONLY



DETAIL C
SCALE 4 : 1
THREAD DETAIL



SECTION B-B

NECK FINISH DIMENSIONS ASSUME ZERO THICKNESS (NO) LINER

REFERENCE	DIMENSION	TOLERANCE	UNITS
ϕE	0.984 [24.99]	± 0.010 [0.25]	in [mm]
ϕT	1.068 [27.13]	± 0.010 [0.25]	in [mm]
S	0.046 [1.17]	± 0.015 [0.38]	in [mm]
H	0.705 [17.91]	MINIMUM	in [mm]
THREADS PER INCH	6		
PITCH	0.167 [4.23]		in [mm]

DRAWING TITLE:
28-410 CT Closure
RL (Ribbed Side)
RECOMMENDED NECK FINISH

THIS MASTER DOCUMENT IS CONTROLLED ELECTRONICALLY.
PRINTED OR DOWNLOADED COPIES ARE UNCONTROLLED.
DOCUMENT USERS ARE RESPONSIBLE FOR ENSURING THEY
HAVE THE LATEST REVISION PRIOR TO USE.

DRAWING TYPE: CUSTOMER		DISTRIBUTION CODE: D	
DWG SIZE: 8.5" x 11"	DRAWING NUMBER:	REVISION:	
SCALE: 1:1 & NOTED	SHEET: 3 OF 3	CQA-10620	00.AB