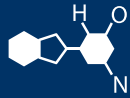


IF YOU...



MIX IT. FILL IT. PACK IT. SHIP IT.

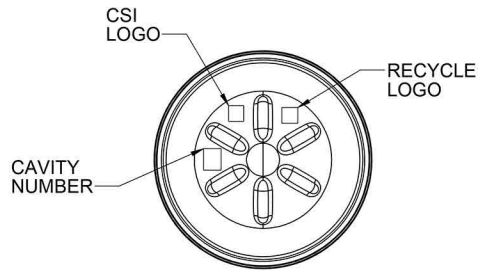
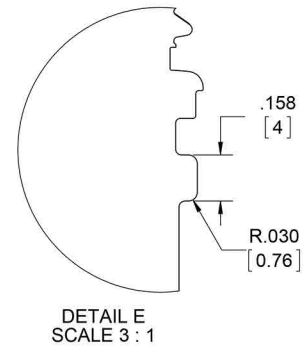
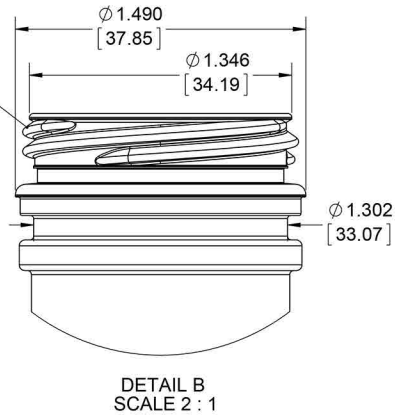
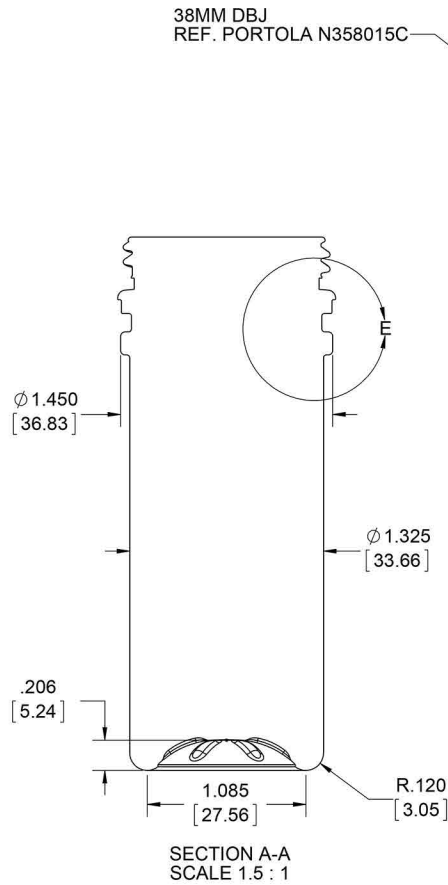
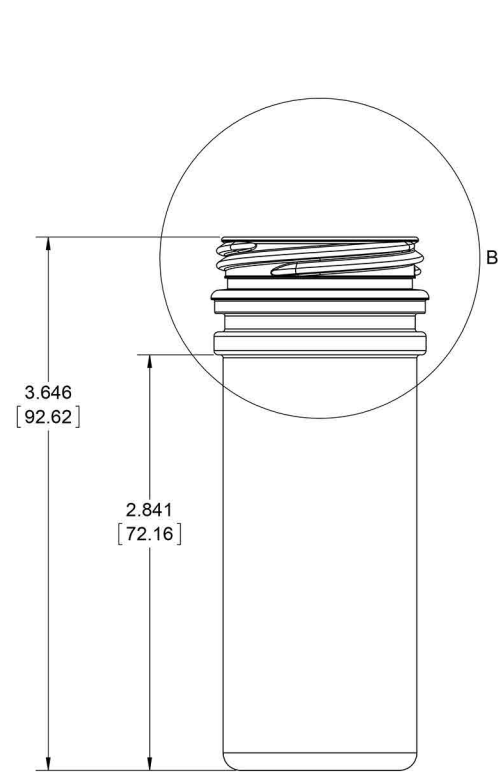
WE HAVE A **PRODUCT** FOR YOU

Part # 68W2ES

2 oz. Clear PET Plastic Energy Shot Bottle,
38mm 358DBJ



REVISIONS			
REV.	DESCRIPTION	DATE	APPROVED
A	ADJUSTED HEIGHT FOR VOLUME AND PROPER STRETCH RATIO	5/28/2014	DWS



FILLPOINT VOLUME= 2.05-FL.OZ. / 60.6-ML		OVERFLOW VOLUME = 2.4-FL.OZ. / 70.0-ML		MATERIAL	PET
PROPOSED PREFORM 1543-13-PD-B-00 16.25-GRAMS			FINISH 38MM DBJ N358015C		
REF. 3 D MODEL FILE 1990-14-BD-C-01					
DRAWN	NAME	DATE	TITLE: 2-OUNCE SHOT BOTTLE WITH 38MM DBJ		
CHECKED	D.STRACHAN	5/28/2014			
ENG APPR.					
MFG APPR.					
COMMENTS:			SIZE	DWG. NO.	REV
PROJECT #PR14:151			C		A
			SCALE: 1:1		SHEET 1 OF 2