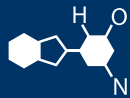


# IF YOU...

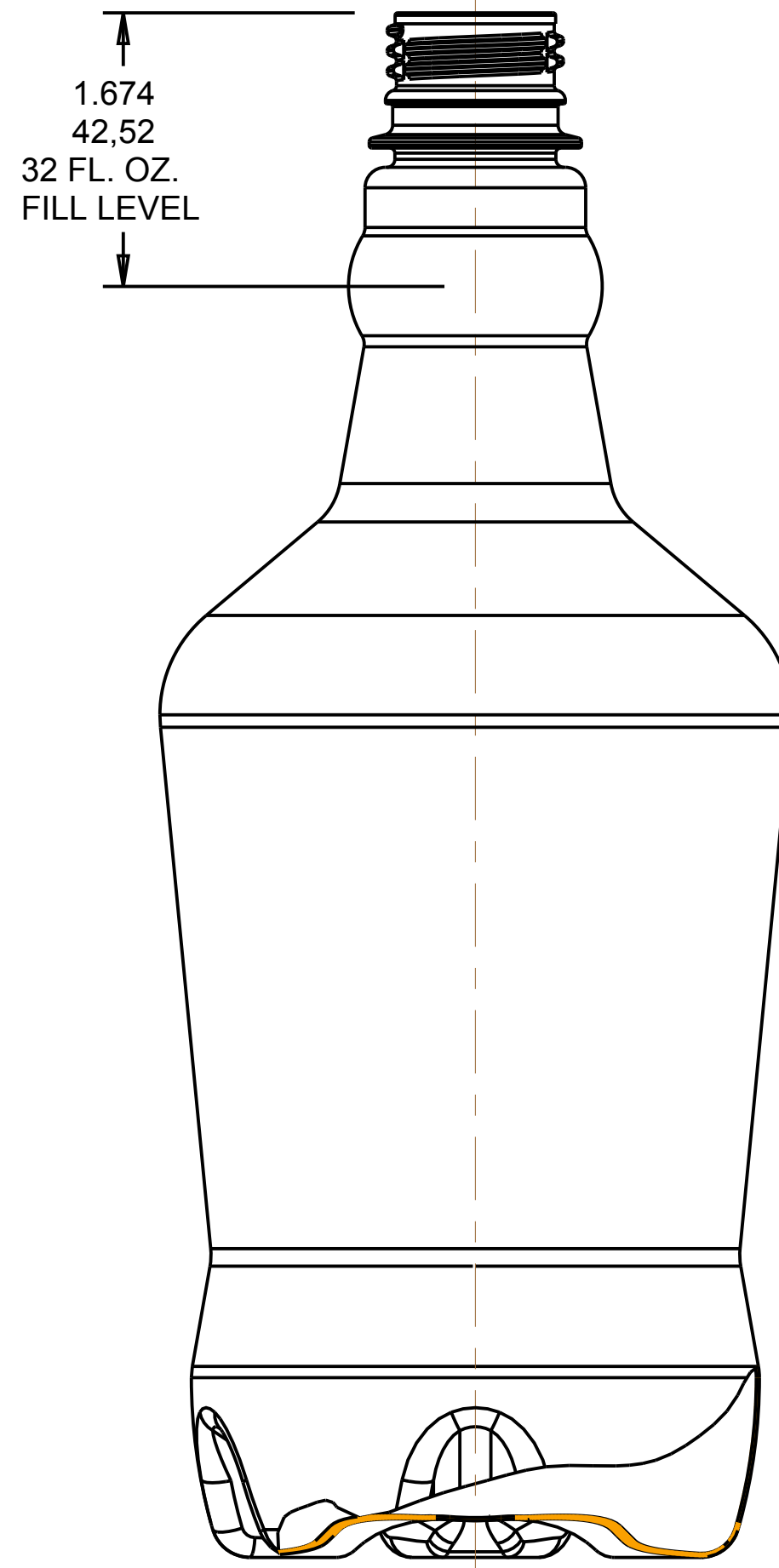
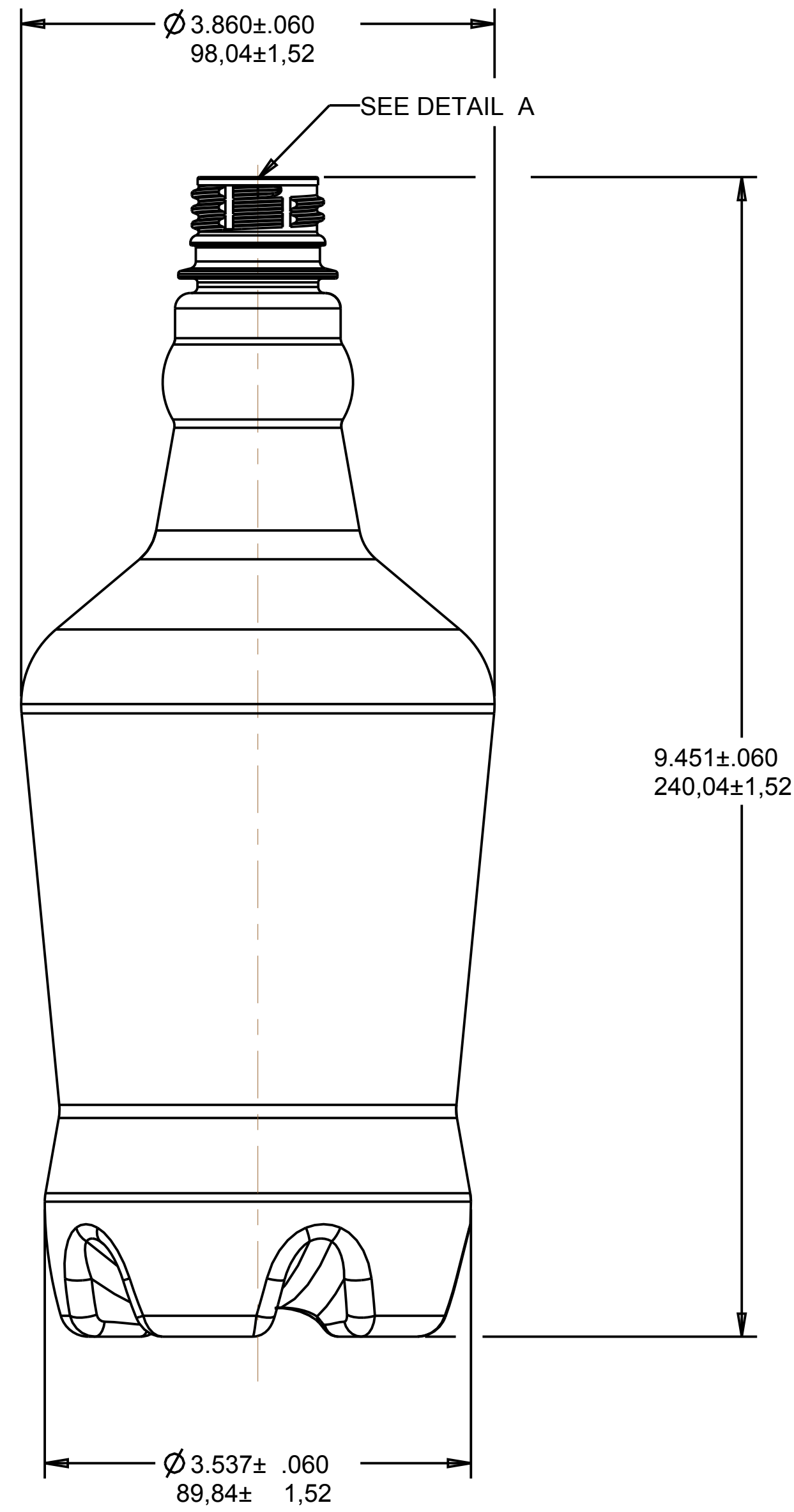


MIX IT. FILL IT. PACK IT. SHIP IT.

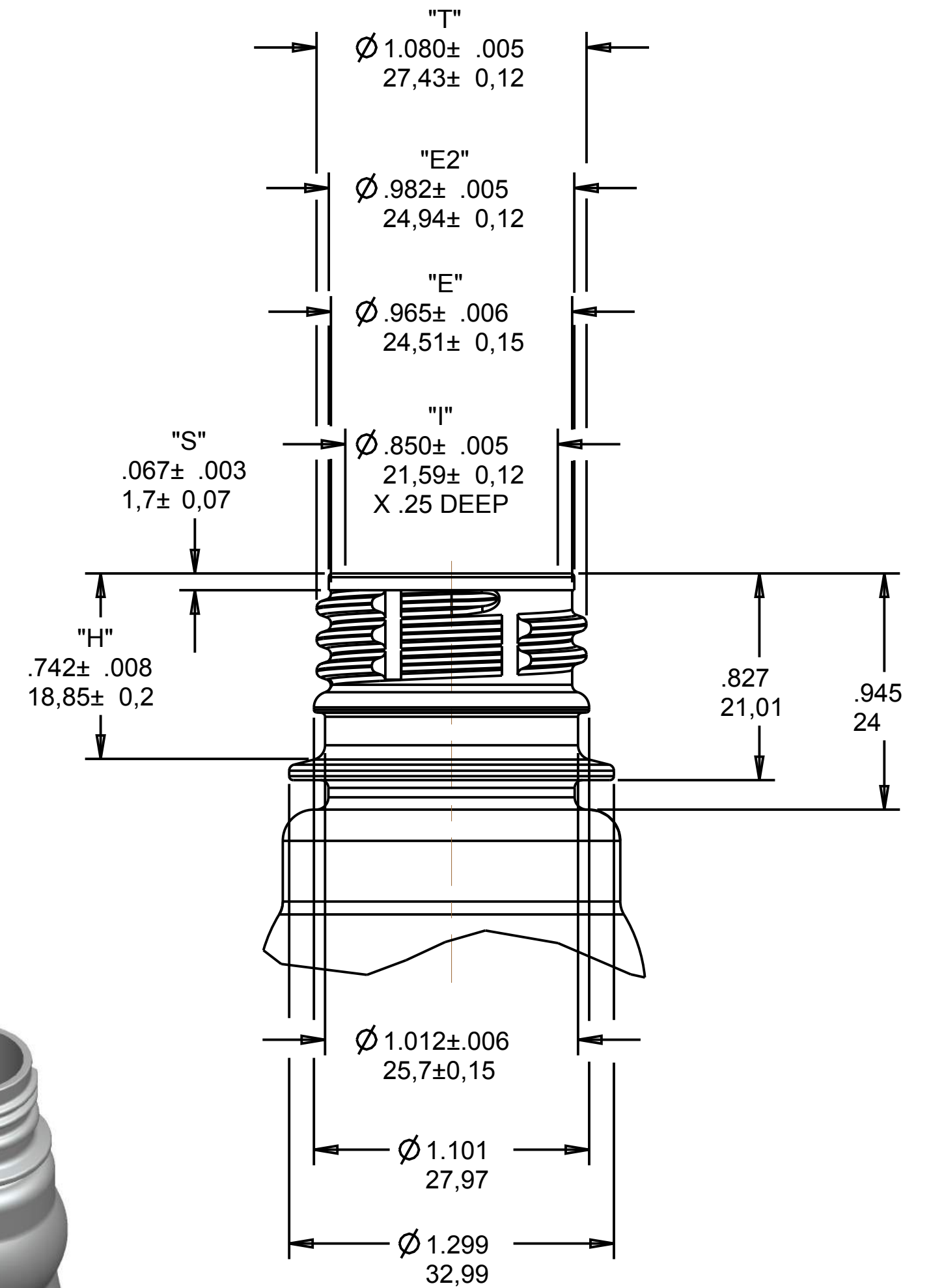
# WE HAVE A PRODUCT FOR YOU



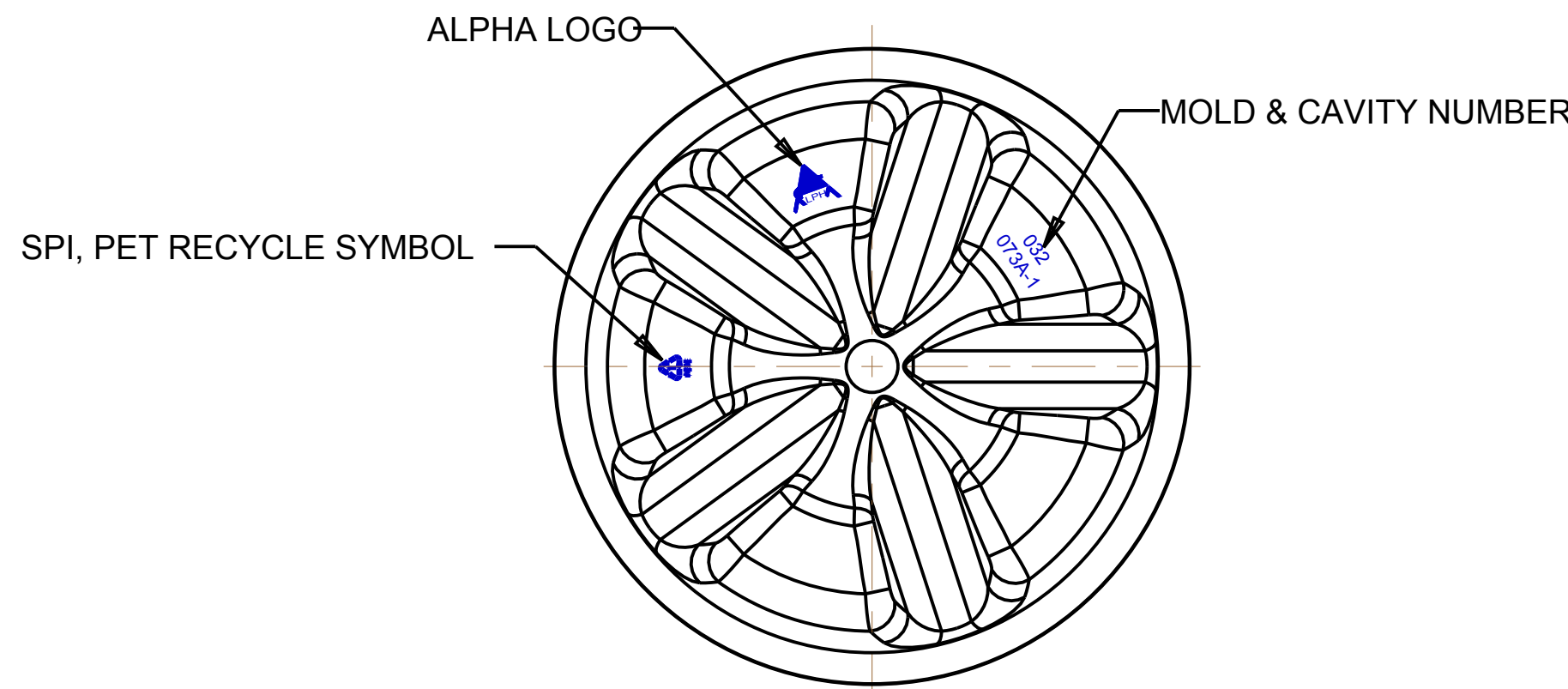
Part #	68W32A
Capacity	32 oz.
Overflow Capacity	978.5ml (33 oz.)
Color	Amber
Material	PET
Dimensions	3.537" Dia x 9.451"H
Neck Finish	PCO-1810
Neck Width	28mm
BPA Free	Yes
FDA Approved	Yes
Case Pack	60 ea.
Pallet Pack	720 ea. (12 cases)
Industries	Food & Beverage



SECTION A-A



DETAIL A  
PCO-1810 NECK FINISH  
2-1/4 THREAD TURNS X 8 T.P.I.  
SCALE 2.000



NPD # 1235									
© Alpha Packaging, Inc.	Color	Min. Thk (in.)	Weight (g)	Overflow (mL)	Revisions				
All measurements are in inches, [mm]		.008	43.0g ± 1.0g	978.5cc ± 15cc	A	3.537 WAS 3.475	J.ZWEIFEL 3/24/14		
Tolerance: Where not shown	NECK FINISH	1810 PCO			Scale: 1.000		Drawn By: J.ZWEIFEL	Date: 16-Jan-14	DwgRev: A
Decimal ± 0.05 [1.27] Angular ± 1°	MATERIAL:	PET			32 oz. GROWLER		Approved By:	Drawing NO:	P0946CYF128PCO
						Supplied By: The Cary Company Ph: 630-629-6600 www.thecarycompany.com			