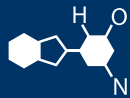


IF YOU...

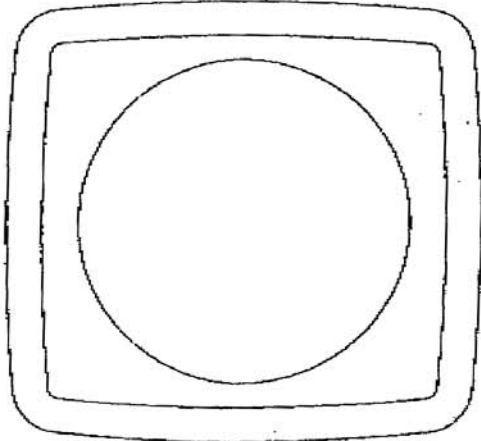
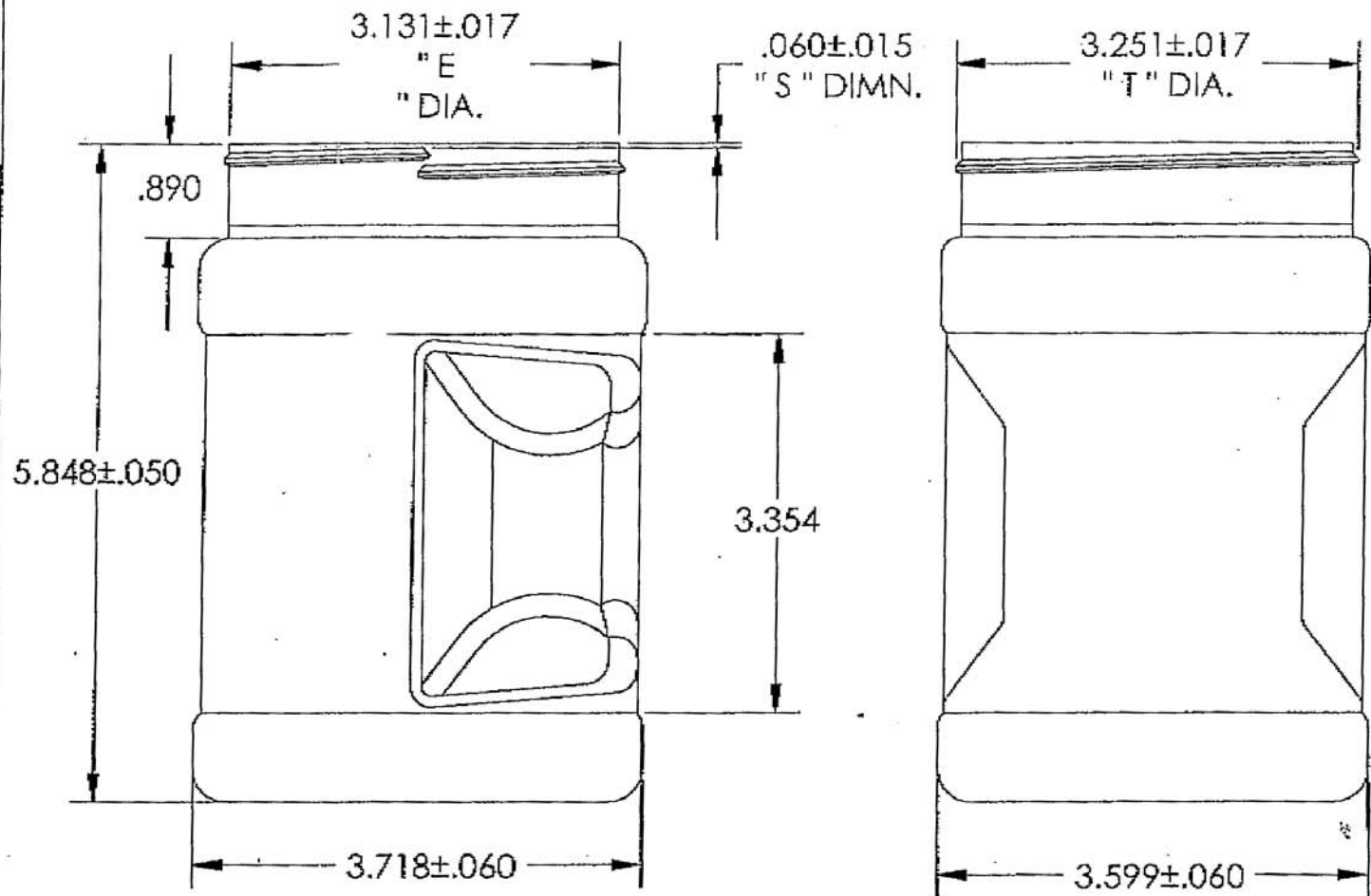


MIX IT. FILL IT. PACK IT. SHIP IT.

WE HAVE A PRODUCT FOR YOU

Part # 68W32S





PROPRIETARY AND CONFIDENTIAL

UNLESS OTHERWISE SPECIFIED:		NAME	DATE	The CARY COMPANY <small>Est. 1895</small>	
DIMENSIONS ARE IN INCHES		DRAWN	AS	12-22-08	TITLE: 32oz. GRIP JAR
TOLERANCES:		CHECKED			
FRACTIONAL ± 1/16		ENG APPR.	AMISHAH	12-22-08	
ANGULAR: MACH ± BEND ±		MFG APPR.			
TWO PLACE DECIMAL ±.05		Q.A.			SIZE DWG. NO. REV A 3001032 A
THREE PLACE DECIMAL ±.005		COMMENTS:	O'FLOW: 1012.0±25.0cc		
INTERPRET GEOMETRIC TOLERANCING PER:		MATERIAL		WEIGHT: 51.0±2.0gms	
MATERIAL		PET		SCALE: 1:2 WEIGHT: 51.0±2.0gms SHEET 1 OF 1	
FINISH		83SP400			
DO NOT SCALE DRAWING					

5 4 3 2 1