

IF YOU...



MIX IT. FILL IT. PACK IT. SHIP IT.

WE HAVE A PRODUCT FOR YOU



Part #	68W33C
Neck Width	33 mm
Neck Finish	33-400
Cap Liner	F-217® 3-Ply Co-extruded Foam Liner
Feature	Pictorial
Color	White
Material	PP
Case Pack	2,000 ea.
Pallet Pack	70,000 ea. (35 Cases)
Case Weight	28 lbs.
FDA Approved	Yes
Industries	Autotmotive, Household Chemicals, Nutraceuticals, Pharmaceuticals

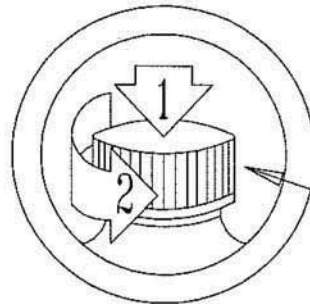
REVISIONS

REV.	DATE	APPROVAL	DESCRIPTION
1	06/28/01	G.G.	ADDED THREAD PER INCH
2	04/05/05	G.G.	B DIM. TO .670

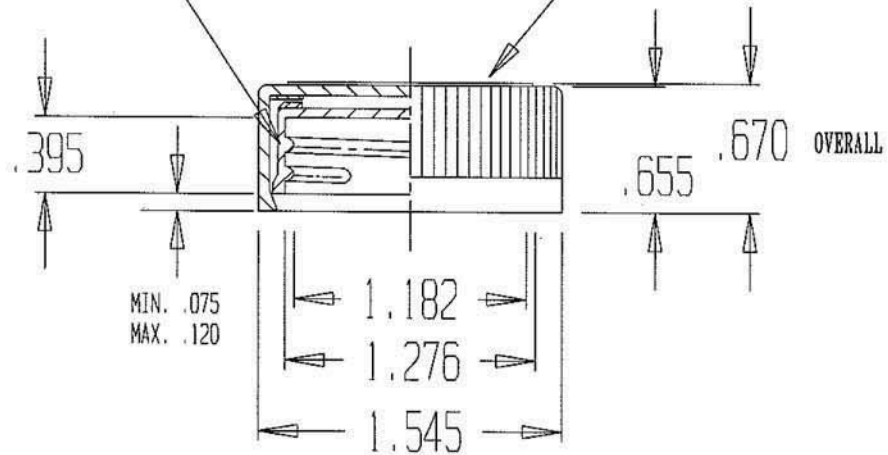


TWO PIECE CAP
ASSEMBLED

6 THREADS PER INCH



PICTORIAL DESIGN
.022 HIGH



UNCONTROLLED

"T"	"E"	"H"	"A"	"B"
1.276	1.182	.395	1.545	.670
MATERIAL: POLYPROPYLENE				
WEIGHT: 6.2 GRAMS (+/- 1 gram)				

"CRC" 33MM-400 CAP



Supplied By: **The Cary Company**
Ph: 630-629-6600
www.thecarycompany.com

TOLERANCE: +/- .010	DRAWN BY: P.D.T.	
SCALE: FULL	DATE: 7-5-95	DRAWING NO. C-8018