

# IF YOU...



MIX IT. FILL IT. PACK IT. SHIP IT.

# WE HAVE A **PRODUCT** FOR YOU

Part #68W33E

Tamper Evident Beverage Caps

**33mm Drop-Lok® White Ribbed Plastic Cap  
w/EVA Liner**



The  
**CARY**COMPANY  
Est. 1895

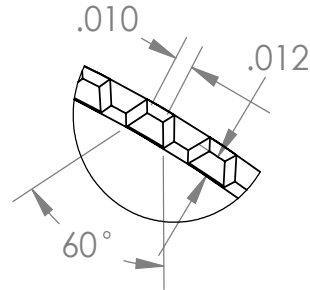
NOTES:

8 THREADS/INCH

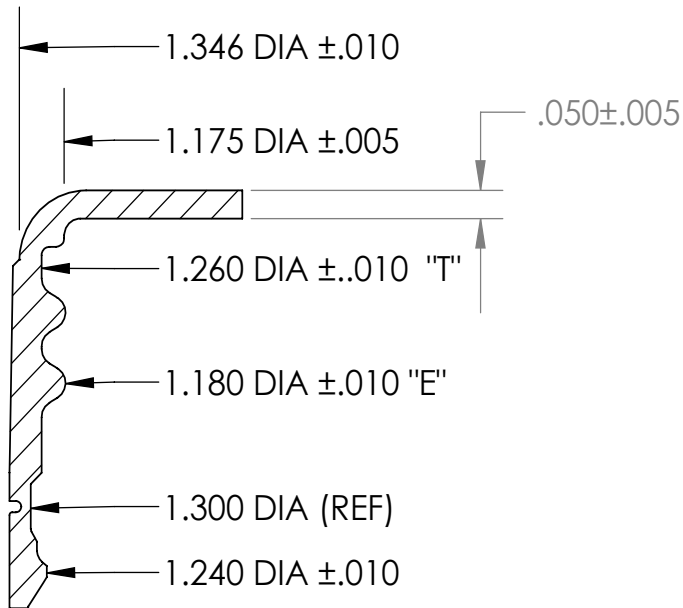
DEVIATIONS FROM REFERENCE DIMENSIONS WHICH WILL NOT AFFECT FUNCTION ARE ACCEPTABLE.

HEIGHT DIMENSIONS SUBJECT TO VARIATION DUE TO "CRUSHING" DURING PART EJECTION.

**THE DROP-LOK® CLOSURE IS NOT A VENTED CLOSURE AND SHOULD NOT BE USED ON APPLICATIONS THAT PRODUCE INTERNAL PRESSURE IN THE BOTTLE DUE TO CARBONATION, FERMENTATION, ETC.**



106 KNURLS  
DETAIL B  
SCALE 10 : 1



SECTION A-A  
SCALE 3 : 1

GLASS FINISH: 1768 (B)

PLASTIC FINISH: 1763 & 1787

**PROPRIETARY AND CONFIDENTIAL**  
THE INFORMATION CONTAINED IN THIS DRAWING IS THE SOLE PROPERTY OF THE CARY COMPANY ANY REPRODUCTION IN PART OR AS A WHOLE WITHOUT THE WRITTEN PERMISSION OF HOFFER PLASTICS CORP. IS PROHIBITED.

UNLESS OTHERWISE SPECIFIED:

DIMENSIONS ARE IN INCHES  
TOLERANCES:  
FRACTIONAL ±  
ANGULAR: ± 1°  
TWO PLACE DECIMAL ± .010  
THREE PLACE DECIMAL ± .005

INTERPRET GEOMETRIC TOLERANCING PER:

MATERIAL: POLYPROPYLENE

FINISH

DO NOT SCALE DRAWING

NAME DATE

DRAWN WEI 3/11/08

DESIGN APPROVED

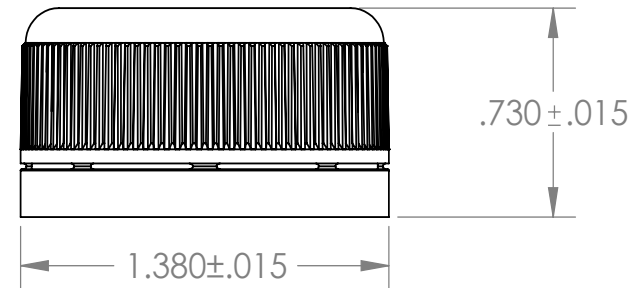
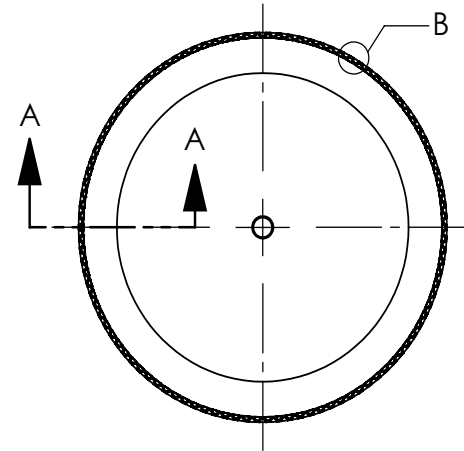
COMMENTS:

LINER:  
SS-222 1.275 DIA  
.030 ±.005 THICK

EVA A-300 1.275 DIA  
.028 ±.003 THICK

REVISIONS

ZONE	REV.	DESCRIPTION	DATE	APPROVED
	A	CHANGED NAME IN TITLE BLOCK TO HOFFER	8/27/98	SJL
	A1	REDRAWN IN CAD	3/11/08	WEI
	B	REMOVED 1769 GLASS BOTTLE FINISH	5/19/08	WEI
	C	ADDED NON-VENTED CLOSURE NOTE.	3/16/12	WEI



TITLE:

**33 mm DROP-LOK®**

SIZE	DWG. NO.	REV
<b>A</b>	<b>CA 33-17</b>	<b>C</b>

SCALE: 3:2 Shrink: SHEET 1 OF 1