

# IF YOU...



MIX IT. FILL IT. PACK IT. SHIP IT.

## WE HAVE A PRODUCT FOR YOU

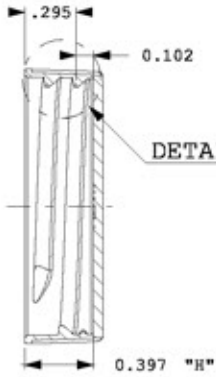


Part #	68W36Y
Neck Width	38mm
Neck Finish	38-400
Cap Liner	F-217® 3-Ply Co-extruded Foam Liner
Color	Yellow
Material	PP
Case Pack	2,250 ea.
Pallet Pack	67,500 ea. (30 Cases)
Case Weight	21 lbs.
Case Dimensions	18-1/4" x 18-1/2" x 9-3/4"
FDA Approved	Yes

4

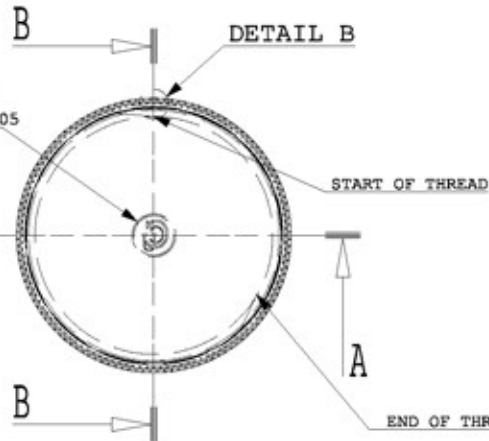
1

(START OF THREAD)



DETAIL A

B-B



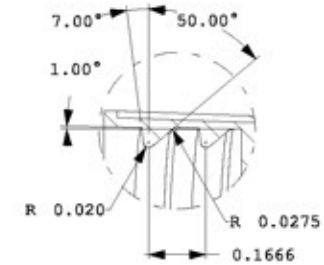
DETAIL B

START OF THREAD

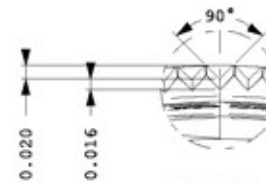
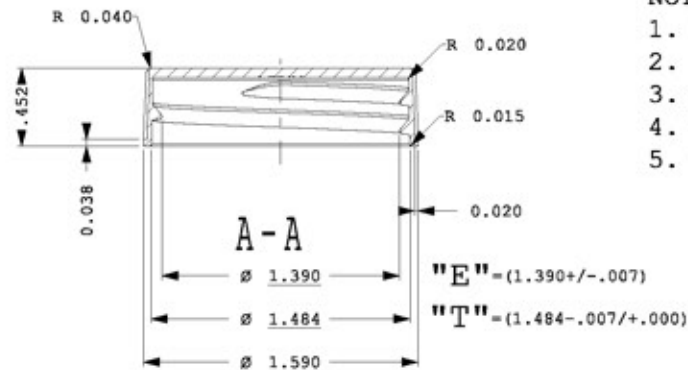
END OF THREAD 480 DEG.



SCALE 2.0

DETAIL A  
THREAD SECTION

SCALE 4.0

DETAIL B  
TYP. 120 EQUAL SPACES

A-A

"E" = (1.390 +/- .007)

"T" = (1.484 - .007 / +.000)

## NOTES:

1. TORQUE SPEC. TIGHTENING FORCE 17-26 IN-LBS
2. SURFACE FINISH: SPE SPI #3
3. MATERIAL: HIGH DENSITY POLYPROPYLENE
4. COLOR: AS ORDERED
5. THREADS: CENTURY SPEC. BUTTRESS FORM  
1 1/3 TURNS OF FULL THREAD.

The  
**CARY COMPANY**  
Est. 1895

THIS DRAWING IS CONFIDENTIAL AND IS THE SOLE PROPERTY OF CPI. PROTECTING THIS TO HELP TO AN ADVANTAGE OR DISADVANTAGE, IN ANY FORM, WITHOUT PERMISSION.

DIMENSIONS IN INCHES  
TOLERANCES UNLESS OTHERWISE SPECIFIED:  
2 1/2 DIA +/- .01  
3 1/2 DIA +/- .003  
4 1/2 DIA +/- .0010  
ANGLES +/- .50'  
SURFACE TEXTURE:  
REMOVE BORES, BREAK SHARP EDGES .0158 MAX

DRAWN: \_\_\_\_\_ DATE: \_\_\_\_\_  
CHECKED: \_\_\_\_\_ DATE: \_\_\_\_\_  
APPROVED: \_\_\_\_\_ DATE: \_\_\_\_\_  
CUSTOMER: \_\_\_\_\_  
CUSTOMER PART NO.: \_\_\_\_\_  
CPI PART NO.: \_\_\_\_\_  
CPI MOLD NO.: \_\_\_\_\_

UTM 3368		REQ'D	MATERIAL
NO.	PART NAME		
DRAWING TITLE: Cap 38mm 400 Finish		SIZE A	
CPI DRAWING NO.:		SCALE: 1.000 SHEET: <1 of 1>	

4

3

2

1