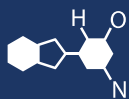


IF YOU...



MIX IT. FILL IT. PACK IT. SHIP IT.

WE HAVE A **PRODUCT** FOR YOU

Part #: 68W38D



The
CARYCOMPANY
Est. 1895

1195 W. Fullerton Ave. | Addison, IL 60101 | T: 630.629.6600 | F: 630.629.3690 |

NOTES:

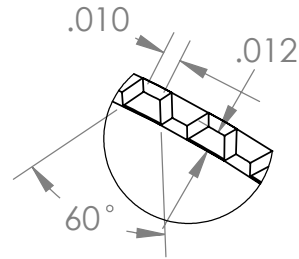
8 THREADS/INCH

DEVIATIONS FROM REFERENCE DIMENSIONS WHICH WILL NOT AFFECT FUNCTION ARE ACCEPTABLE.

HEIGHT DIMENSIONS SUBJECT TO VARIATION DUE TO "CRUSHING" DURING PART EJECTION.

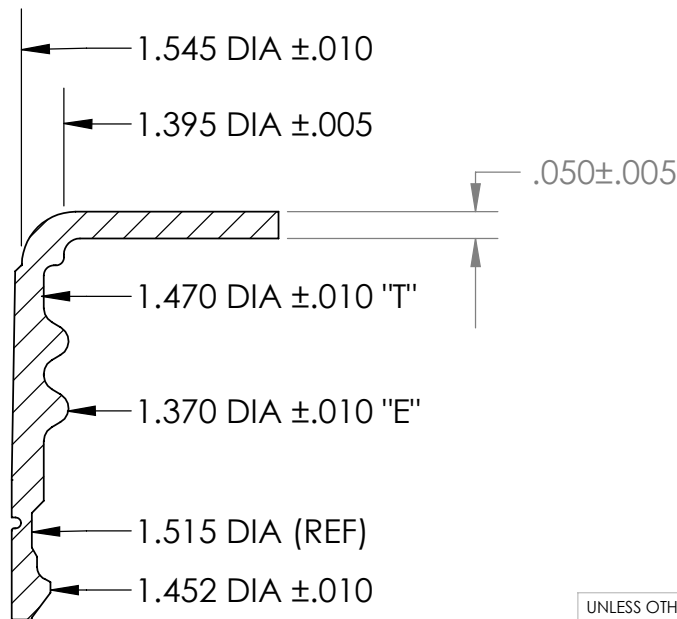
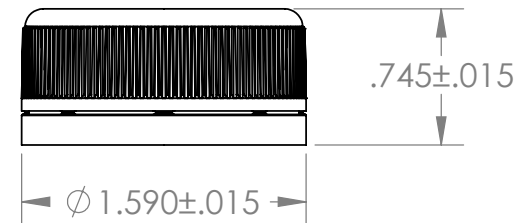
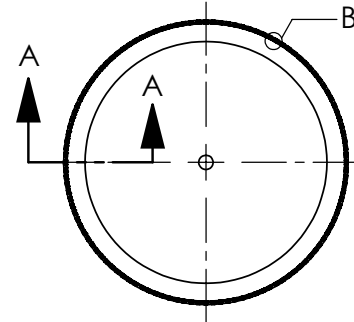
ADD .010" FOR TOP EMBOSS.

THE DROP-LOK® CLOSURE IS NOT A VENTED CLOSURE AND SHOULD NOT BE USED ON APPLICATIONS THAT PRODUCE INTERNAL PRESSURE IN THE BOTTLE DUE TO CARBONATION, FERMENTATION, ETC.



120 KNURLS
DETAIL B
SCALE 10 : 1

ZONE	REV.	DESCRIPTION	DATE	APPROVED
	A	CHANGED NAME IN TITLE BLOCK TO HOFFER	8/27/98	SJL
	A1	REDRAWN IN CAD	3/7/08	WEI
	B	REMOVED 1769 GLASS BOTTLE FINISH	5/19/08	WEI
	C	ADDED NON-VENTED CLOSURE NOTE	3/16/12	WEI



SECTION A-A
SCALE 3 : 1

GLASS FINISH: 1768 (B)

PLASTIC FINISH: 1763 & 1787

PROPRIETARY AND CONFIDENTIAL
THE INFORMATION CONTAINED IN THIS DRAWING IS THE SOLE PROPERTY OF THE CARY COMPANY. ANY REPRODUCTION IN PART OR AS A WHOLE WITHOUT THE WRITTEN PERMISSION OF THE CARY COMPANY IS PROHIBITED.

UNLESS OTHERWISE SPECIFIED:	NAME	DATE
DIMENSIONS ARE IN INCHES	WEI	3/7/08
TOLERANCES:		
FRACTIONAL ±		
ANGULAR: ± 1°		
TWO PLACE DECIMAL ± .010		
THREE PLACE DECIMAL ± .005		
INTERPRET GEOMETRIC TOLERANCING PER:		
MATERIAL	SS222	1.480 DIA .030 ±.005 THICK
FINISH	EVA A-300	1.480 DIA .028 ±.003 THICK
DO NOT SCALE DRAWING		

The CARY COMPANY
Est. 1895

TITLE:
38 mm DROP-LOK®

SIZE	DWG. NO.	REV
A	CA 38-18	C

SCALE: 1:1 Shrink: SHEET 1 OF 1