

IF YOU...



MIX IT. FILL IT. PACK IT. SHIP IT.

WE HAVE A **PRODUCT** FOR YOU

Part #: 68W38P

Continuous Thread Caps

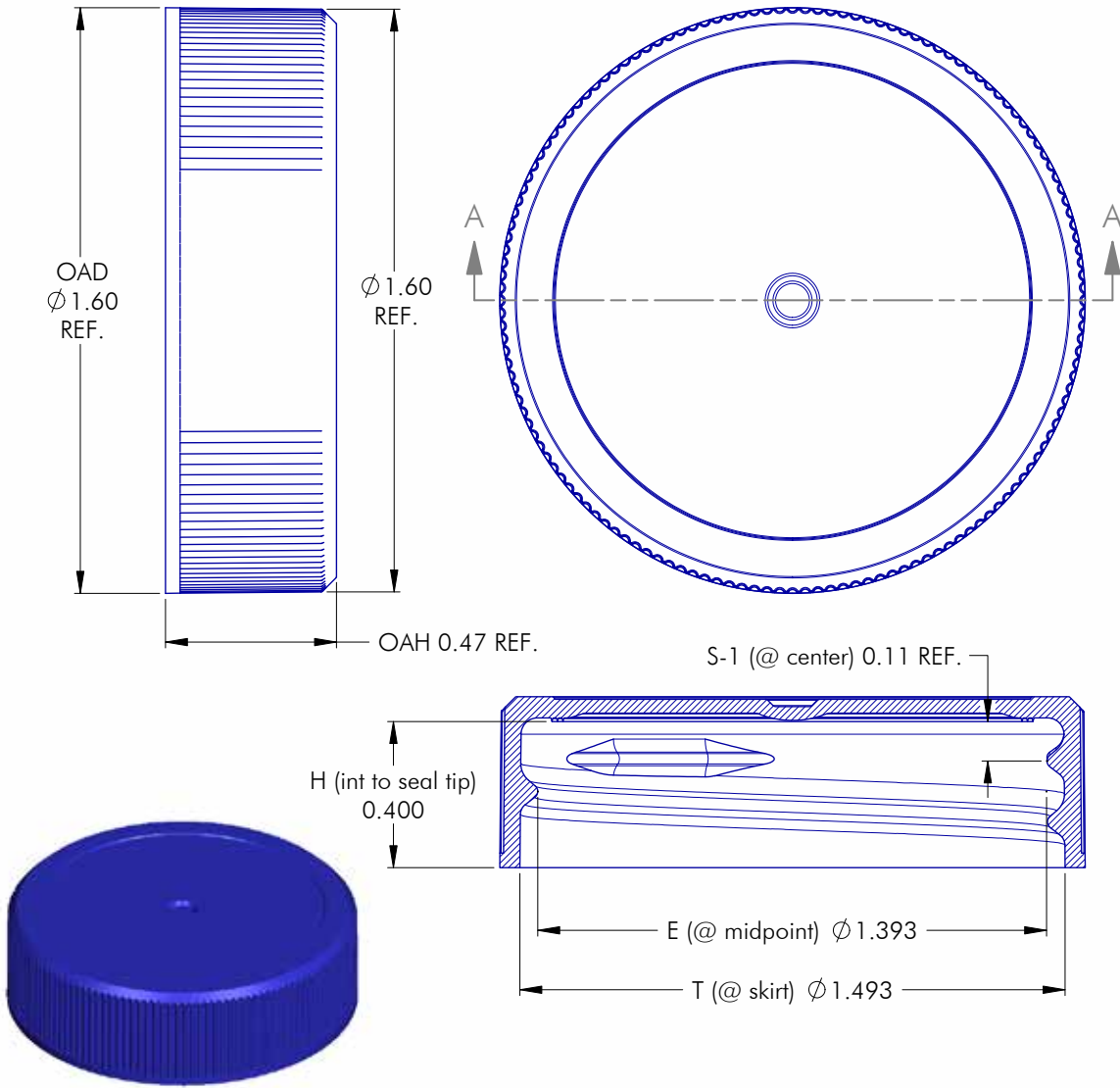
38mm 38-400 White Ribbed
(Matte Top) Plastic Cap, Unlined



The
CARYCOMPANY
Est. 1895

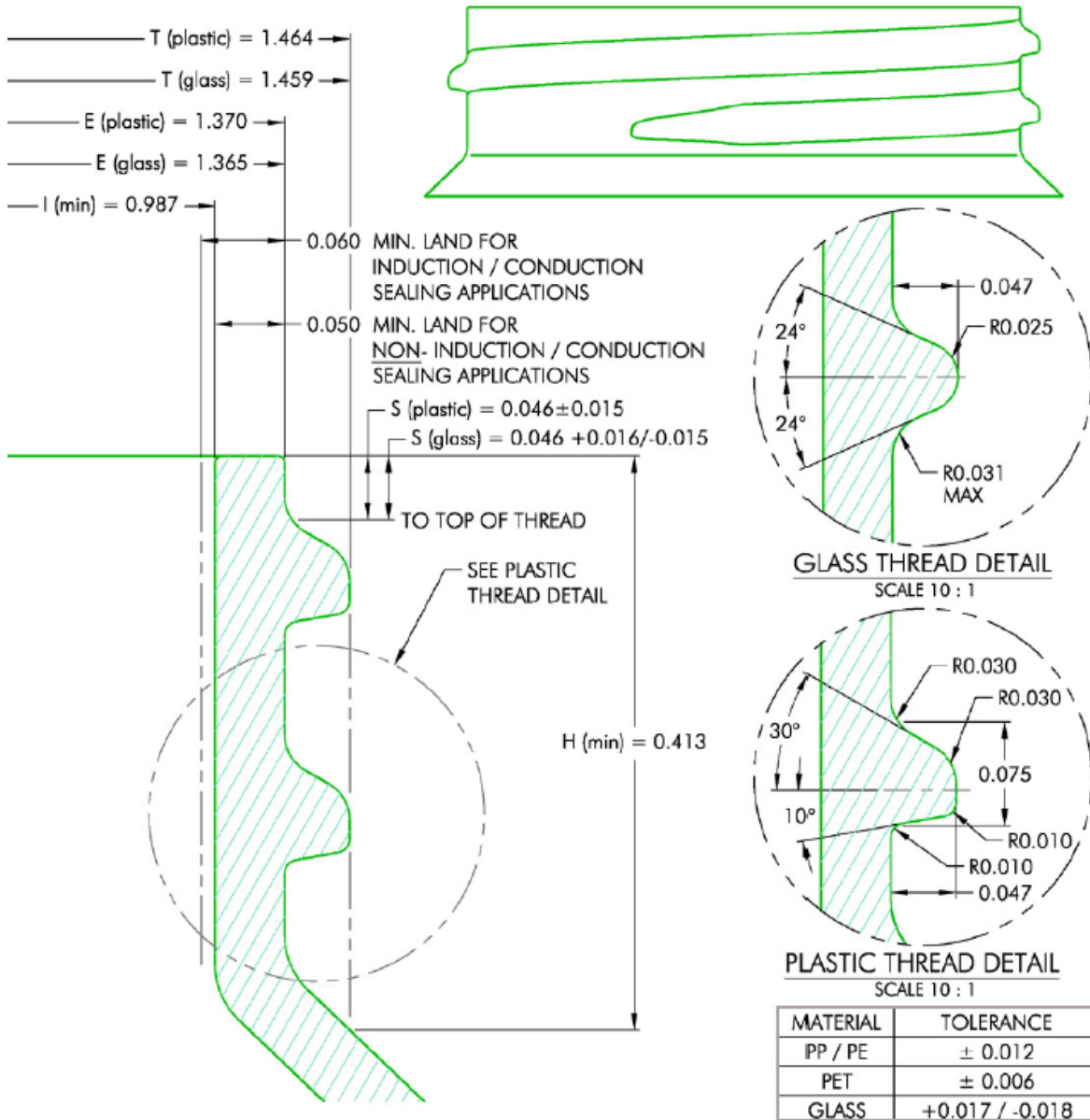
1195 W. Fullerton Ave. | Addison, IL 60101 | T: 630.629.6600 | F: 630.629.3690 | TheCaryCompany.com

SHALLOW SKIRTED CLOSURES



NOTES: (UNLESS OTHERWISE SPECIFIED)				8	04.20.15	Re-define Reference Dimensions	DN
1. ALL DIMENSIONS ARE IN INCHES.				REV	DATE	DESCRIPTION	BY
2. SEE CHART FOR DIMENSIONAL TOLERANCE.				TOLERANCE	PITCH/TPI	.167 / 6	TURNS
						1-3/16	MAT'L
							PP
					DRAWN	DMN	DATE
						09.06.06	SCALE
							5 : 2
							REV
							8
				38 - 400 - 6213 S			

SHALLOW SKIRTED CLOSURES



NOTES: (UNLESS OTHERWISE SPECIFIED)		BF 05.21.18 Released		DN	
1. ALL DIMENSIONS ARE IN INCHES.		REV	DATE	DESCRIPTION	
2. SEE CHART FOR DIMENSIONAL TOLERANCE.				BY	
TOLERANCE	PITCH/TPI	1.167 / 6	TURN	1-1/4	MAT'L Per Chart
.X ±0.1	DRAWN	BEZ	DATE	08.31.93	SCALE 10 : 1
.XX ±0.02	38 - 400 - FINISH				REV
.XXX ±0.010					0