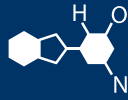
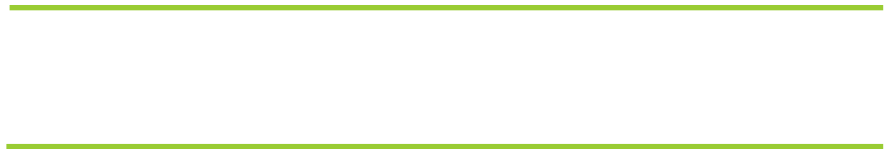


# IF YOU...



MIX IT. FILL IT. PACK IT. SHIP IT.

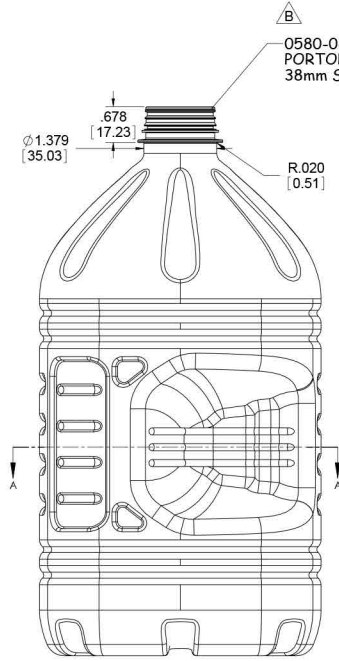
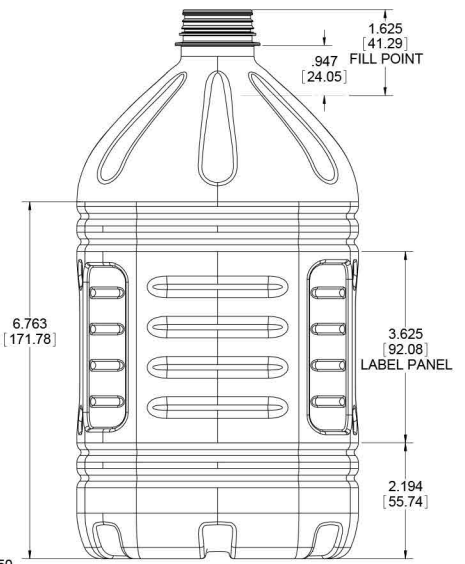
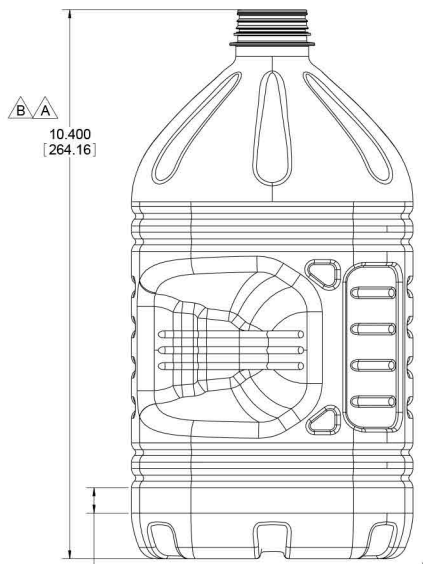
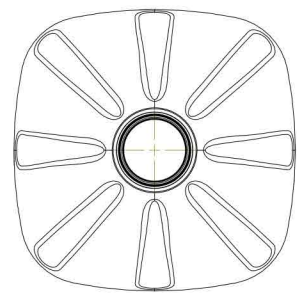
## WE HAVE A PRODUCT FOR YOU



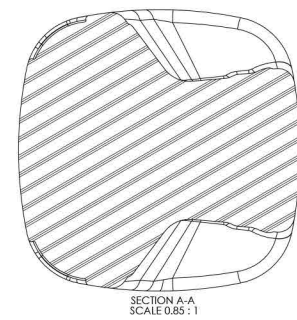
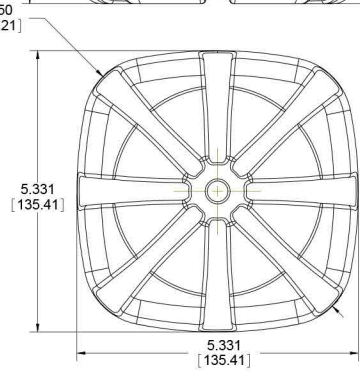
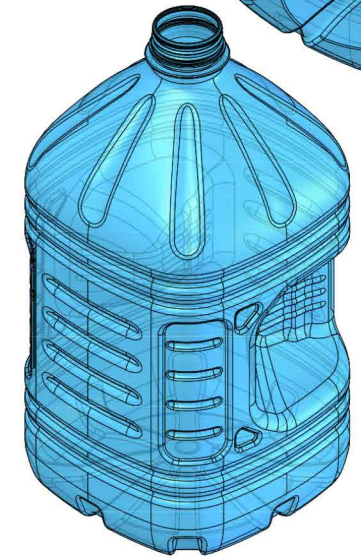
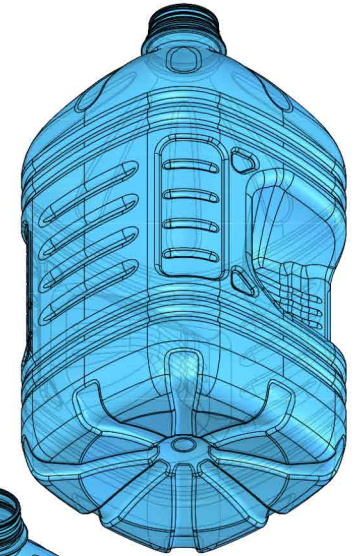
Part #	68W3LS
Capacity	3 Liter
Color	Clear
Material	PET
Dimensions	5.33" Dia. x 10.448"H
Neck Finish	358DBJ
Neck Width	38mm
BPA Free	Yes
FDA Approved	Yes
Case Pack	54 ea.
Pallet Pack	486 ea. (9 Cases)
Industries	Food & Beverage



REVISIONS			
REV.	DESCRIPTION	DATE	APPROVED
A	FINISH AND HT. CHNG. DIA UNDER FLANGE WAS 1.354	3/4/2008	
B	FINISH HT CHNG	6/13/2008	



0580-08-TD-C-00  
PORTOLA N383011B  
38mm SCJ DTL VARIANT



SHIM TO BE INSTALLED THIS AREA  
REF CONTAINER DWG  
0525-08-DB-D-02 FOR 96 OZ BOTTLE

The **CARY COMPANY**  
Est. 1895

Y:\PRO8\PR08-171 96-ounce water revised\shorter finish -new design released for production 5-19-08\CROMPTON SALES FORMAT 0506\_08\_BD\_D\_02\_3ltr\_SCJ

EST. FILL POINT VOLUME = 101.51 fl. oz	MATERIAL: PET
	DATE: 7/30/2008
	TITLE: 3 LTR WATER
DWG. NO.	REV
SCALE: 2:1	SHEET 1 OF 1

CROMPTON SALES FORMAT 0506\_08\_BD\_D\_02\_3lr\_SCJ