

# IF YOU...



MIX IT. FILL IT. PACK IT. SHIP IT.

# WE HAVE A PRODUCT FOR YOU



Part #	68W40R
Neck Width	38mm
Neck Finish	358DBJ
Cap Liner	Unlined - No Liner
Color	Red
Material	HDPE
Case Pack	2,500 ea.
Pallet Pack	87,500 ea. (35 Cases)
Case Weight	17 lbs.
Case Dimensions	22-3/8" x 15-7/16" x 11"
Industries	Food & Beverage

4

3

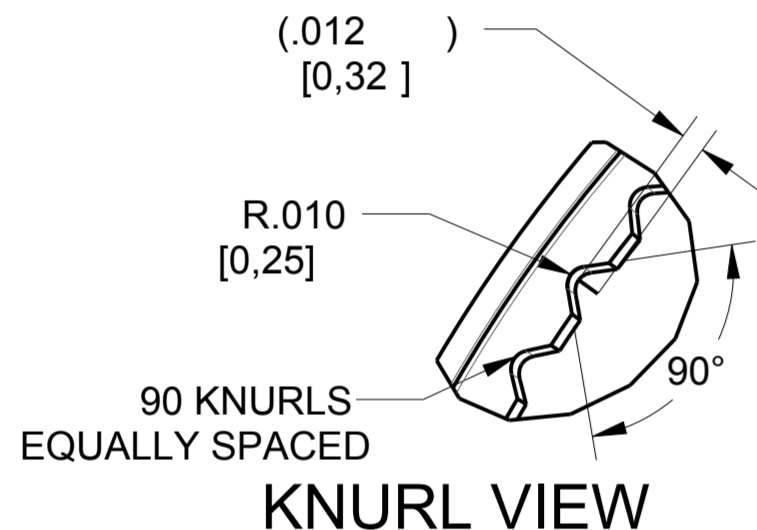
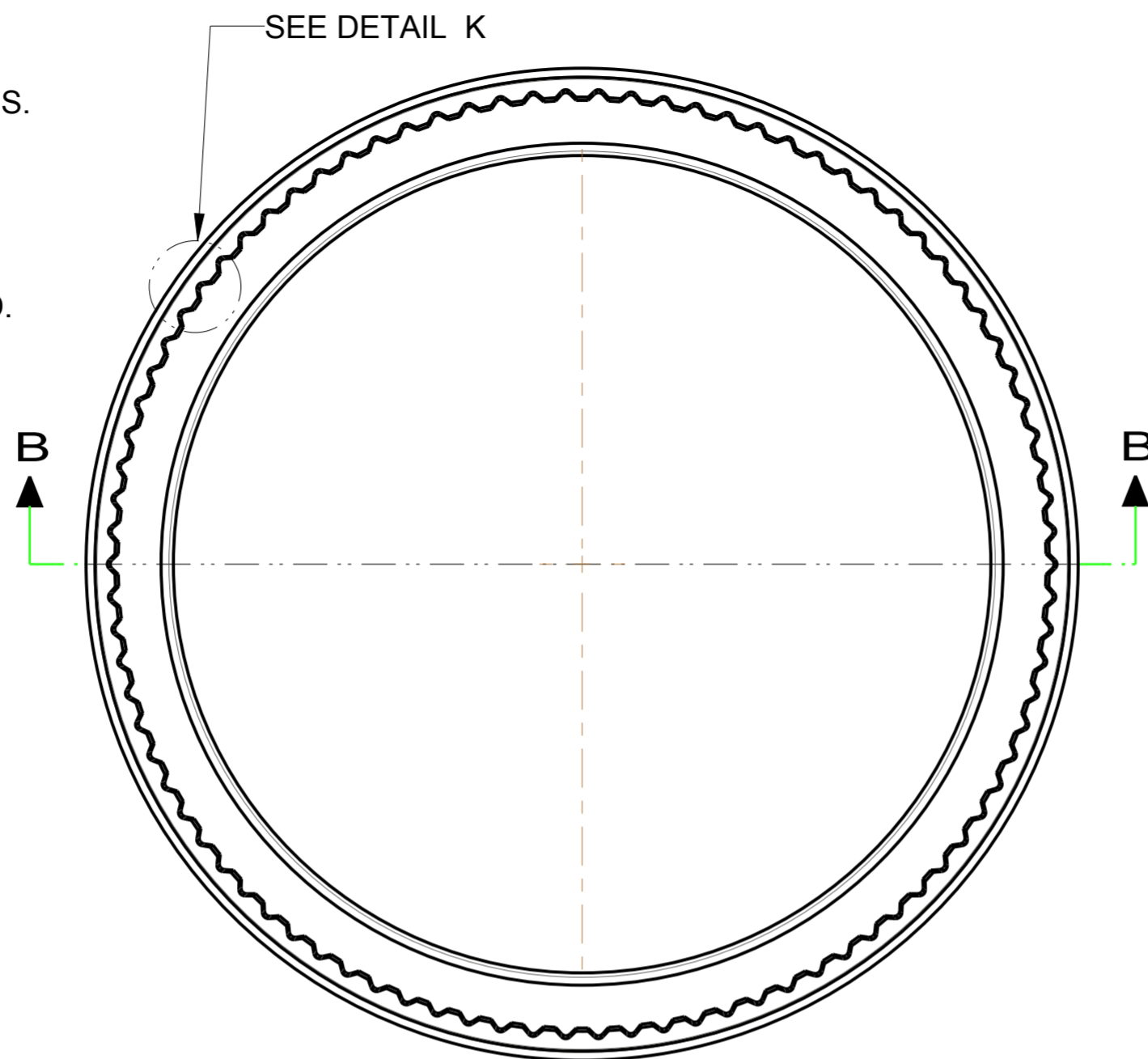
2

1

NOTES: UNLESS OTHERWISE SPECIFIED:

- 1. MATERIAL: HDPE PER PORTOLA PACKAGING, INC. (PPI) SPECIFICATIONS.
- 2. PRINTING OR LABELING: PER PPI SPECIFICATIONS.
- 3. COLOR: PER PPI SPECIFICATIONS
- 4. PART WEIGHT: CAP 2.6G AVG.
- 5. THREAD DATA: 3 LEADS AT 120 ° APART  
180 ° FULL THREAD PER LEAD.
- 6. METRIC DIMENSIONS GIVEN IN [X,XX].
- 7. DO NOT SCALE DRAWING.

REVISIONS				
REV	DESCRIPTION	DATE	BY	APPR
A	RELEASE FOR CUSTOMER ECO# P100467	04/17/03	SG	LP
B	REVISED PER ECO # P100479	8/14/03	STW	LP
C	REVISED PER ECO # P100543	7/21/05	SSK	
D	REVISED PER ECO # P100630	11/29/11	SSK	



SCALE 1/1

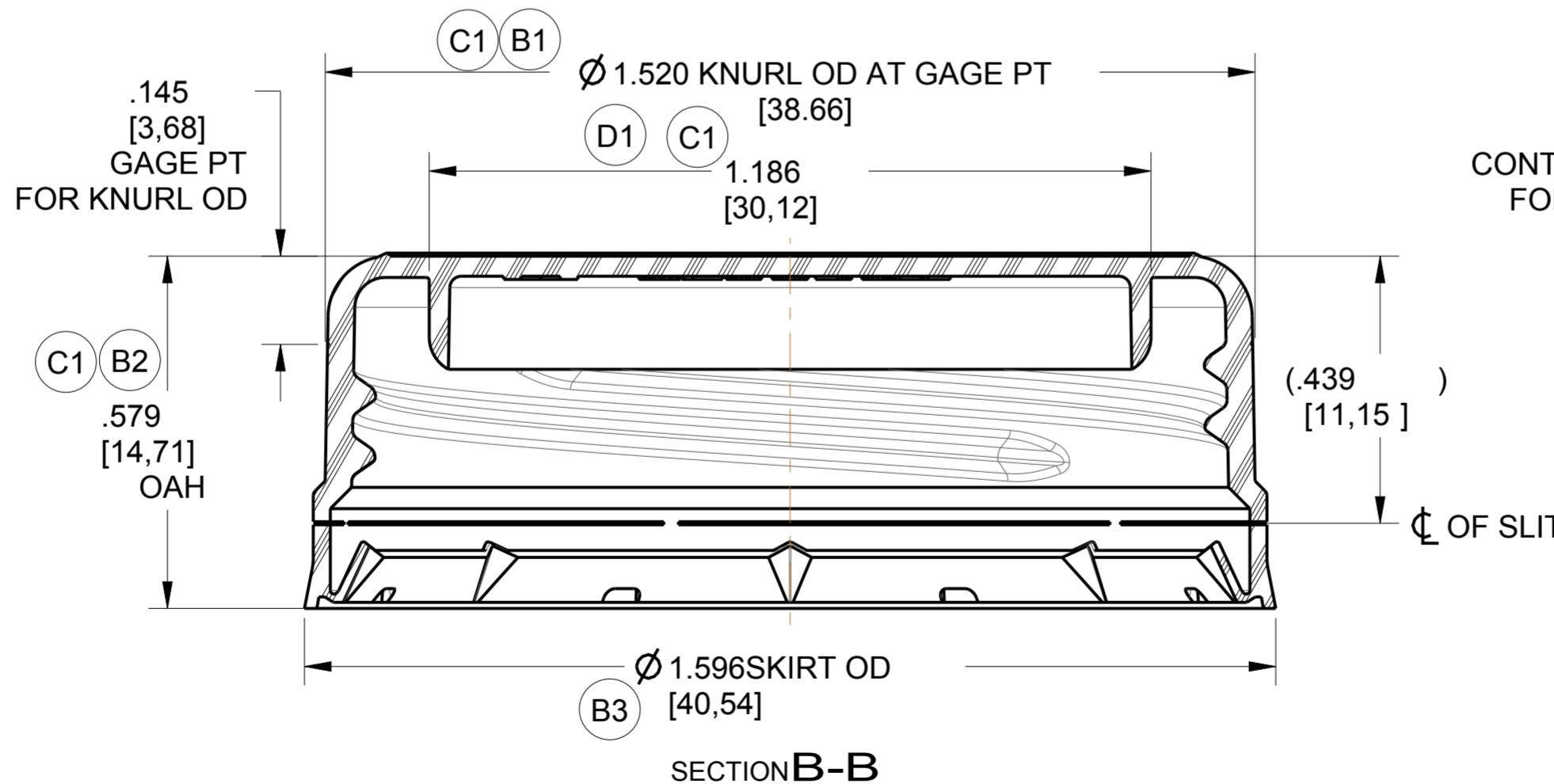
UNCONTROLLED DOCUMENT  
11/29/11, SSK

CONTACT PORTOLA PACKAGING, INC.  
FOR BOTTLE FINISH INFORMATION



CLOSURE APPLICATION

SECTION R-R  
SCALE 6/1



**THE CARY COMPANY**  
 PH 630-629-6600 - FX 630-629-3690  
 1195 W. FULLERTON AVE. - ADDISON, IL 60101  
 WWW.THECARYCOMPANY.COM

PPLC.FRM

**CONFIDENTIAL PROPRIETARY DATA**  
 THIS DOCUMENT CONTAINS INFORMATION THAT IS THE CONFIDENTIAL AND PROPRIETARY PROPERTY OF PORTOLA PACKAGING, INC. AND MAY NOT BE COPIED, PUBLISHED, OR DISCLOSED TO OTHERS, OR USED FOR ANY PURPOSE OTHER THAN REVIEW. WITHOUT THE EXPRESS WRITTEN AUTHORIZATION OF AN AUTHORIZED OFFICER OF PORTOLA PACKAGING, INC. THIS DOCUMENT MUST BE KEPT ONLY IN PORTOLA PACKAGING, INC. CONFIDENTIAL FILES WHEN NOT IN USE.

DIMENSIONS ARE IN INCHES  
 TOLERANCES UNLESS OTHERWISE SPECIFIED

FRACTIONS 1/32"  
 .X ± .02  
 .XX ± .01  
 .XXX ± .005  
 .XXXX ± .0005  
 ANGLE ± 0° 15'

DWN	SG	DATE	04/17/03
CHK		DATE	
APP		DATE	
MATERIAL	----	FINISH	----
HARDNESS	----	SCALE	4/1
SHEET	1 of 1	SHRINKAGE	----

Supplied By: <b>The Cary Company</b> Ph: 630-629-6600 www.thecarycompany.com	
TITLE <b>38mm DBJ</b>	
SIZE <b>C</b>	DN# <b>C358121</b>
REV <b>D</b>	

4

3

2

1