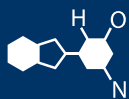


IF YOU...



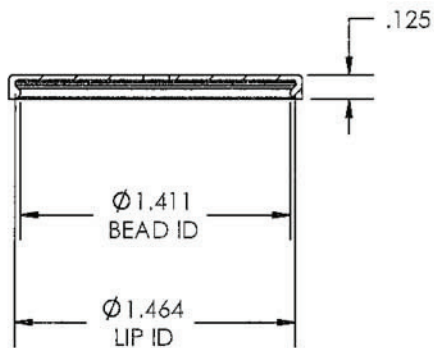
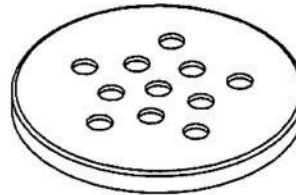
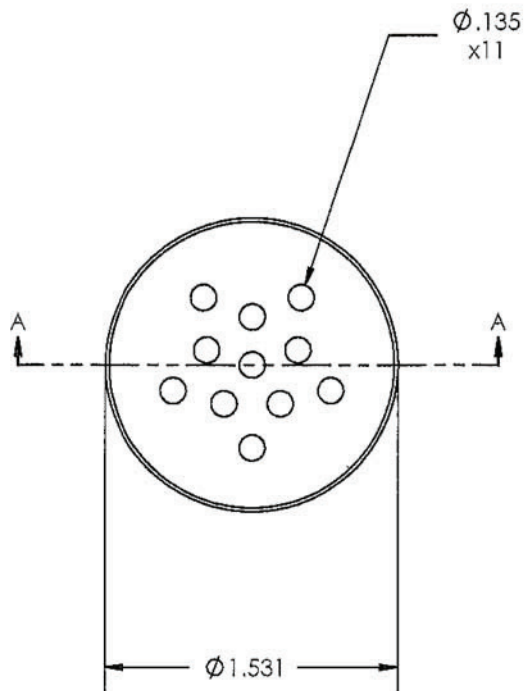
MIX IT. FILL IT. PACK IT. SHIP IT.

WE HAVE A PRODUCT FOR YOU



Part #	68W43F
Neck Width	43mm
Color	Natural
Material	PP





SECTION A-A

		DIMENSIONS ARE IN INCHES TOLERANCES: FRACTIONAL ± ANGULAR: MACH ± BEND ± TWO PLACE DECIMAL ±.015 THREE PLACE DECIMAL ±.008		NAME PRS	DATE 2/3/10	68W43F
		MATERIAL polypropylene		CHECKED		
NEXT ASSY	USED ON	FINISH		ENG APPR.		SIZE A
APPLICATION		DO NOT SCALE DRAWING		MFG APPR.		DWG. NO. Fitment 43 11 Hole L
				Q.A.		REV.
				COMMENTS:		SCALE: 1:1
						WEIGHT:
						SHEET 4 OF 12