

IF YOU...



MIX IT. FILL IT. PACK IT. SHIP IT.

WE HAVE A **PRODUCT** FOR YOU

Part #68W48E

Tamper Evident Beverage Caps

**48mm Drop-Lok® White Ribbed Plastic Cap
w/EVA Liner**



The
CARYCOMPANY
Est. 1895

NOTES:

8 THREADS/INCH

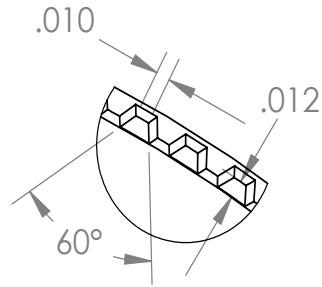
8 BRIDGES

DEVIATIONS FROM REFERENCE DIMENSIONS WHICH DO NOT AFFECT FUNCTION ARE ACCEPTABLE.

HEIGHT DIMENSIONS SUBJECT TO VARIATION DUE TO "CRUSHING" DURING PART EJECTION.

ADD .010" FOR TOP EMBOSS.

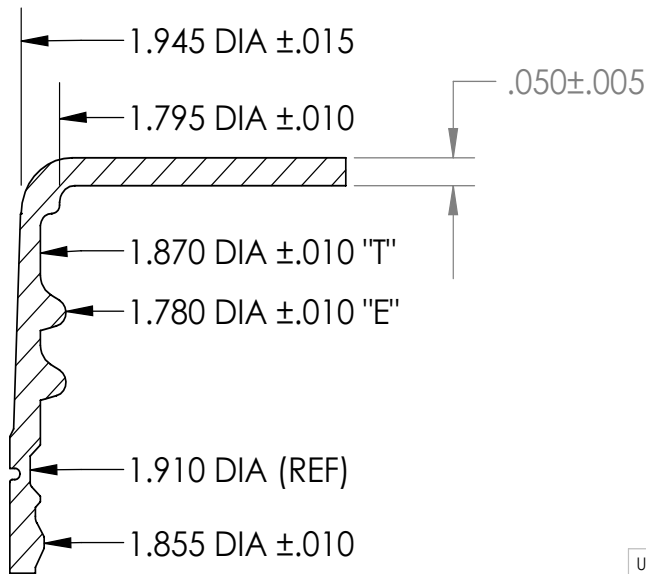
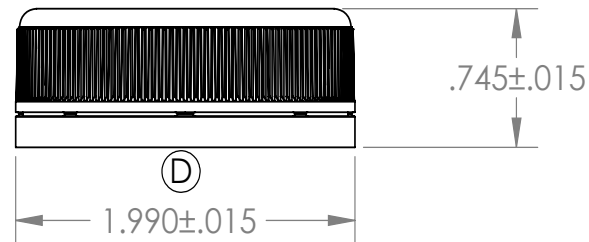
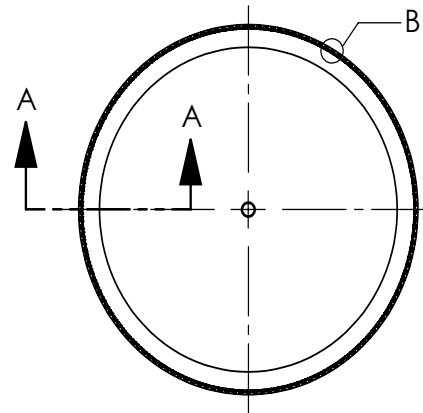
THE DROP-LOK® CLOSURE IS NOT A VENTED CLOSURE AND SHOULD NOT BE USED ON APPLICATIONS THAT PRODUCE INTERNAL PRESSURE IN THE BOTTLE DUE TO CARBONATION, FERMENTATION, ETC. (F)



149 KNURLS

DETAIL B
SCALE 8 : 1

REVISIONS				
ZONE	REV.	DESCRIPTION	DATE	APPROVED
	A	CHANGED NAME IN TITLE BLOCK TO HOFFER	8/28/98	SJL
	B	REMOVED 1787 PLASTIC FINISH	3/1/99	SJL
	C	CHANGED THE 1.895 LINER DIAMETER TO 1.880	3/18/99	SJL
	D	REMOVED THE PULL-UP MARK	11/3/00	SJL
	D1	REDRAWN IN CAD	3/13/08	WEI
	E	REMOVED 1769 GLASS BOTTLE FINISH	5/19/08	WEI
	F	ADDED NON-VENTED CLOSURE NOTE.	3/16/12	WEI



SECTION A-A
SCALE 3 : 1

GLASS FINISH: 1768 (E)

PLASTIC FINISH: 1763 (B)

UNLESS OTHERWISE SPECIFIED:	NAME	DATE
DIMENSIONS ARE IN INCHES	DRAWN	WEI 3/13/08
TOLERANCES:	DESIGN APPROVED	
FRACTIONAL ±	COMMENTS:	
ANGULAR: ± 1°	LINER:	
TWO PLACE DECIMAL ±.010	SS-222 1.880 DIA	
THREE PLACE DECIMAL ±.005	.030 ±.005 THICK	
INTERPRET GEOMETRIC TOLERANCING PER:	EVA A-300 1.880 DIA	(C)
MATERIAL	.028 ±.003 THICK	
POLYPROPYLENE		
FINISH		
DO NOT SCALE DRAWING		

TITLE:
**48 mm DROP-LOK®
(parabolic bridges)**

SIZE	DWG. NO.	REV
A	CA 48-24P	F

SCALE: 1:1 Shrink: SHEET 1 OF 1