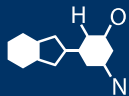
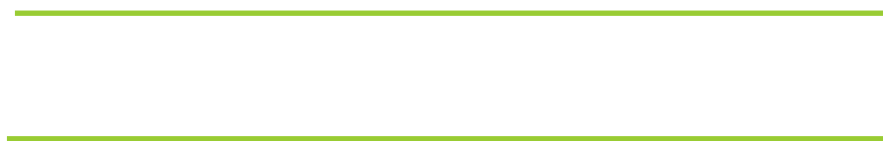


# IF YOU...



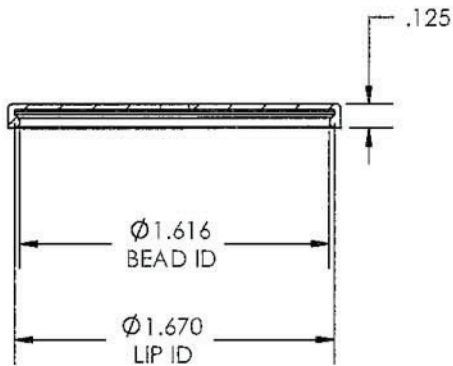
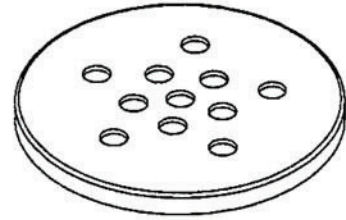
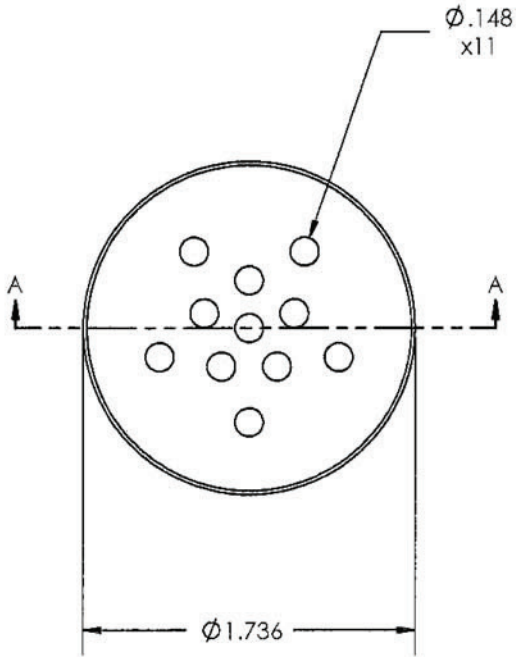
MIX IT. FILL IT. PACK IT. SHIP IT.

# WE HAVE A PRODUCT FOR YOU




Part #	68W48F
Neck Width	48mm
Color	Natural
Material	PP





SECTION A-A

		DIMENSIONS ARE IN INCHES		NAME	DATE	<b>68W48F</b>
		TOLERANCES:		DRAWN	PRS	
		FRACTIONAL ±		CHECKED		 Supplied By: <b>The Cary Company</b> Ph: 630-629-6600 www.thecarycompany.com
		ANGULAR: MACH ± BEND ±		ENG APPR.		
		TWO PLACE DECIMAL ±.015		MFG APPR.		
		THREE PLACE DECIMAL ±.008		Q.A.		
		MATERIAL		COMMENTS:		
		polypropylene				
NEXT ASSY	USED ON	FINISH				SIZE DWG. NO. REV.
APPLICATION		DO NOT SCALE DRAWING				<b>A</b> Fitment 48 11 Hole L
				SCALE: 1:1 WEIGHT:		SHEET 8 OF 12