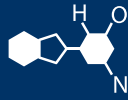


IF YOU...



MIX IT. FILL IT. PACK IT. SHIP IT.

WE HAVE A **PRODUCT** FOR YOU

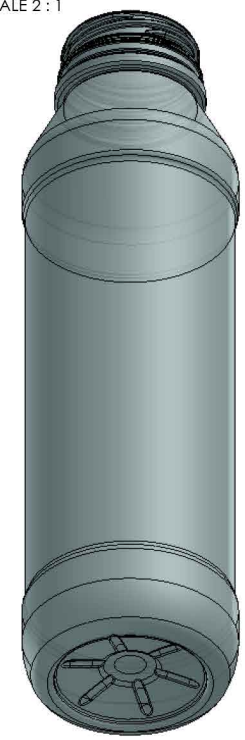
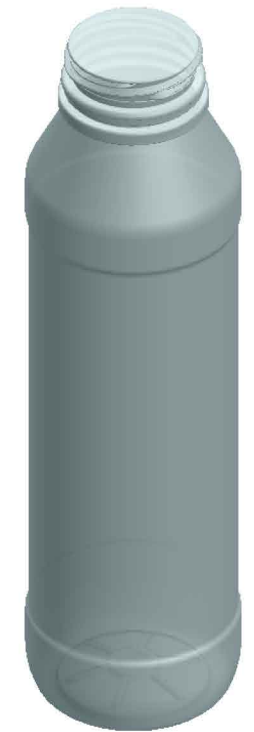
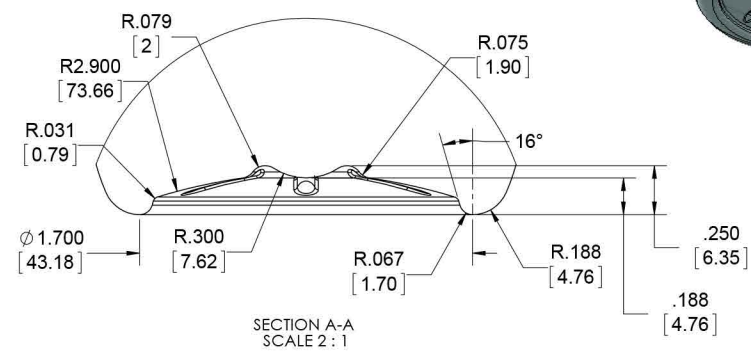
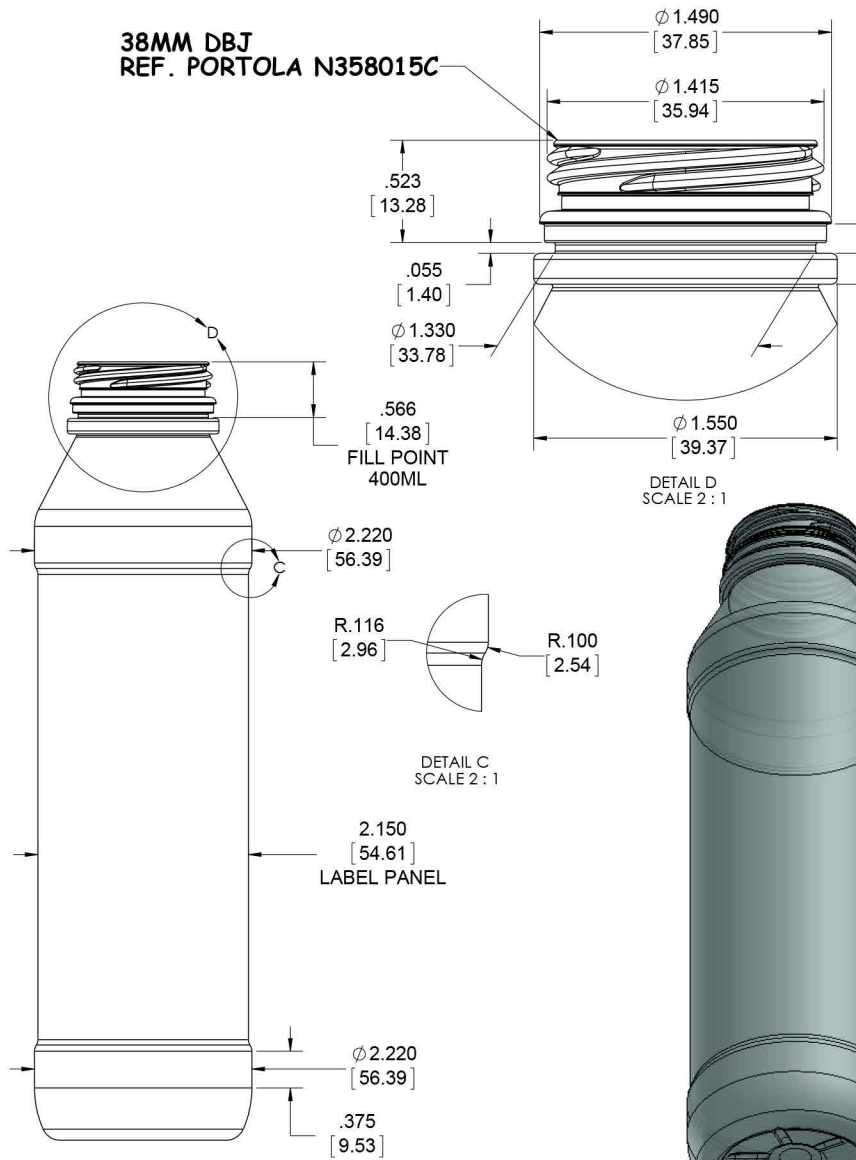
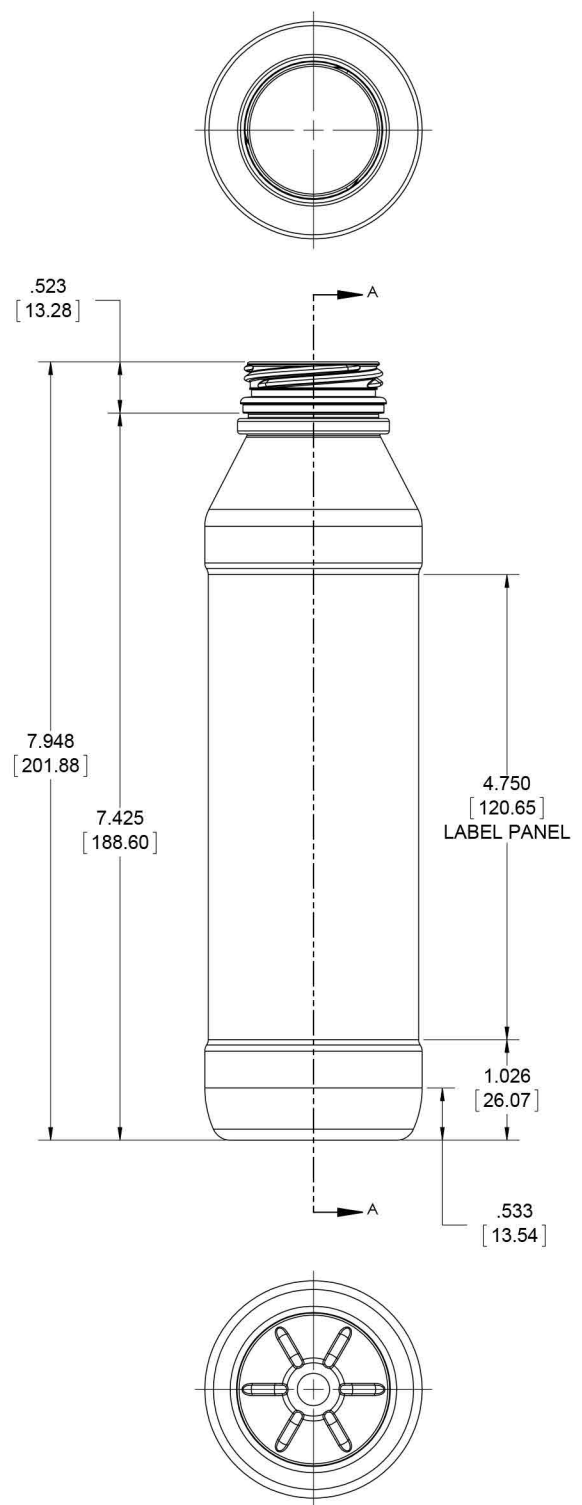
Part # 68W4AF

13.5 oz. Clear PET Plastic Tamper Evident AF
Round Bottle, 38mm 358DBJ



REVISIONS			
REV.	DESCRIPTION	DATE	REVISED BY
A	DIA UNDER FLANGE WAS 1.360 NOW 1.330	1/6/2012	KDL
B	ADDED TAMPER EVIDENT BAND	7/12/2012	DCC

**38MM DBJ
REF. PORTOLA N358015C**



The **CARY COMPANY**
Est. 1895

NOTES:
 1. DIMENSIONS AND WEIGHT ARE SUBJECT TO CHANGE WITH FINAL VOLUMETRIC CALCULATIONS.
 2. FINAL VOLUME TOLERANCE TO BE DEFINED BY MFG. DATA.

FILLPOINT VOLUME = 400-ML / 13.5-FL.OZ.		MATERIAL: PET	
OVERFLOW VOLUME = 413-ML / 14.0-FL.OZ.		FINISH: 38MM DBJ N358015C	
PROPOSED PREFORM 1014-11-PD-B-01 23-GRAM		REF. 3 D MODEL FILE 1274-12-BD-C-02	
DRAWN: D.CONNOR 3/15/2013		TITLE: 400-ML ACQUAFIBRA BOTTLE WITH 38MM DBJ	
CHECKED:		SIZE: C DWG. NO. REV: B	
ENG APPR.:		SCALE: 1:1	
MFG APPR.:		PROJECT # PR12-136	
Q.A.:		SHEET 1 OF 1	