

# IF YOU...



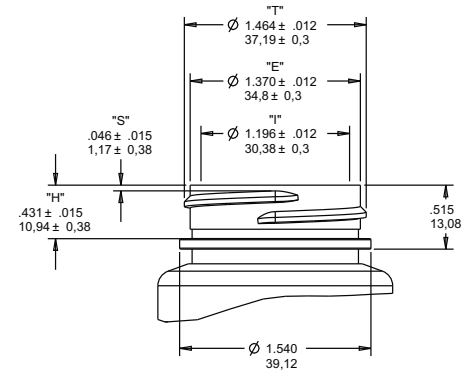
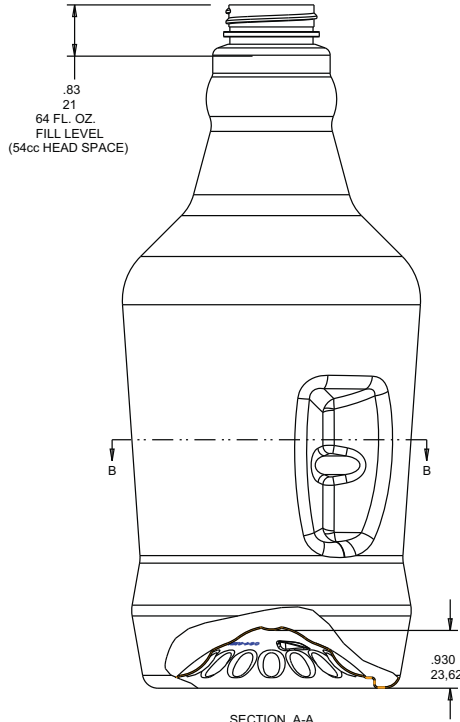
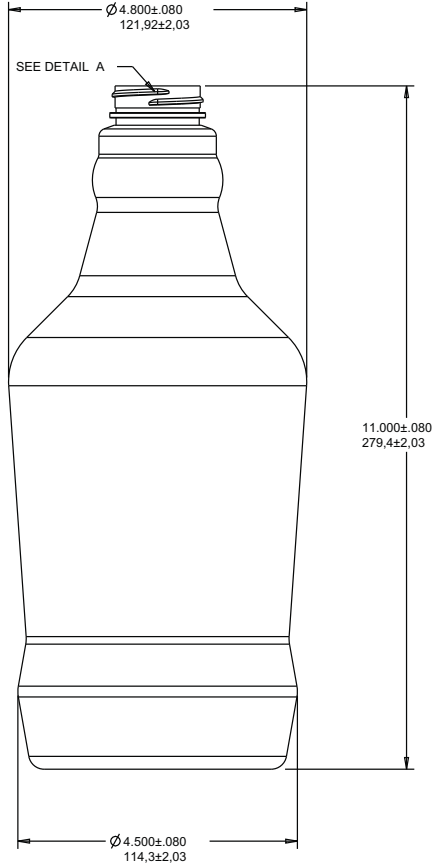
MIX IT. FILL IT. PACK IT. SHIP IT.

## WE HAVE A PRODUCT FOR YOU

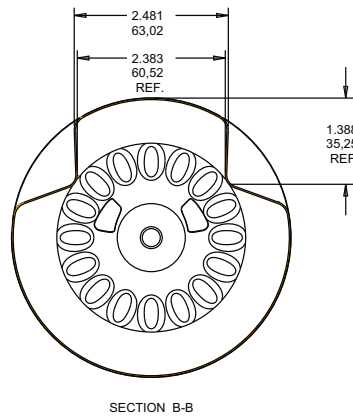
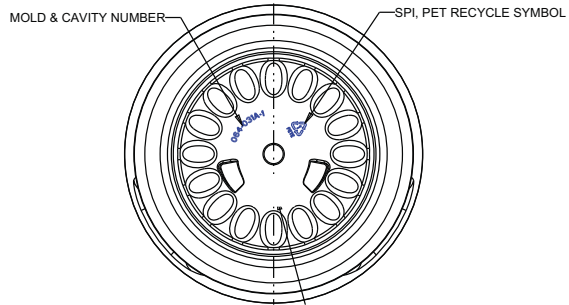


Part #	68W64A
Capacity	64 oz. (1/2 Gal.)
Overflow Capacity	1,915 ml. (64.75 oz.)
Color	Amber
Material	PET
Dimensions	4.5"Dia x 11.0"H
Neck Finish	M38-400
Neck Width	38mm
BPA Free	Yes
FDA Approved	Yes
Case Pack	36 ea.
Pallet Pack	576. ea (16 Cases)
Industries	Food & Beverage





DETAIL A  
M38-400 FINISH  
1 THREAD TURN X 6 T.P.I.  
"I" x .250 DEEP.  
SCALE 2.000



NPD # 1236				
Color	Min. Thk	Weight	Overflow Volume	Revisions
TBD	81.0g ± 1.0g	1915.0cc ± 24cc		
All measurements are in inches, [mm]				PH 630-629-6600 - FX 630-629-3690 11195 W. FULLERTON AVE. - ADDISON, IL 60101 WWW.THECARYCOMPANY.COM
Tolerance: Where not shown				Scale: 1.000 Drawn By: J.SWEFEL Date: 21-May-13
NECK FINISH: M38-400 SPECIAL "H"				64 oz. GROWLER
MATERIAL: PET				Approved By: Drawing NO: P11883CYPG038A-V2