

# IF YOU...



MIX IT. FILL IT. PACK IT. SHIP IT.

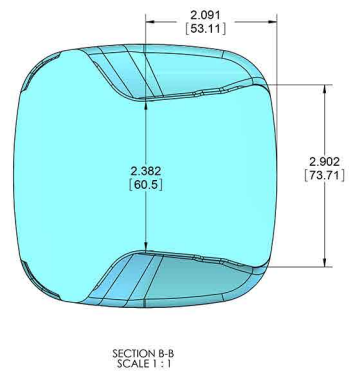
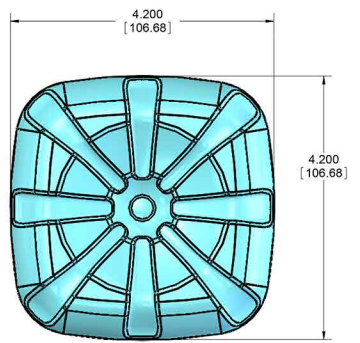
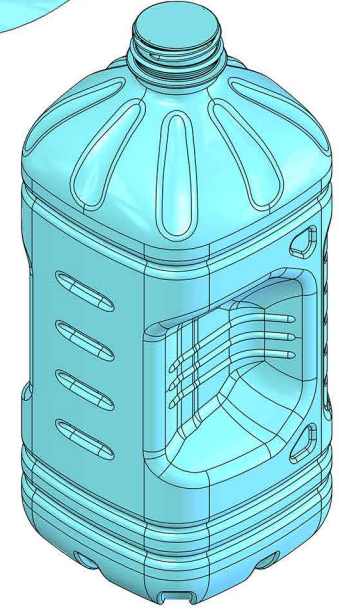
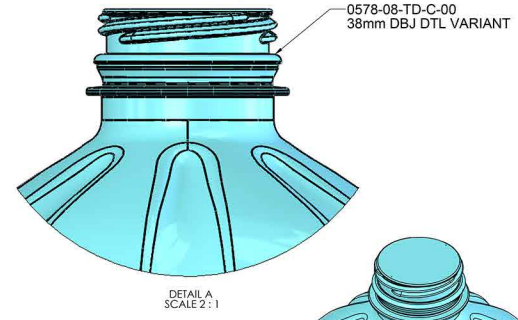
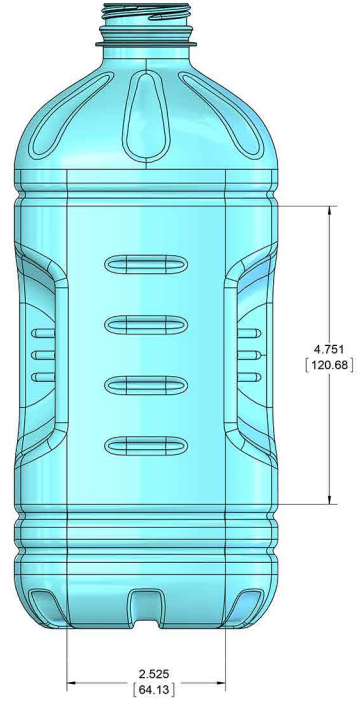
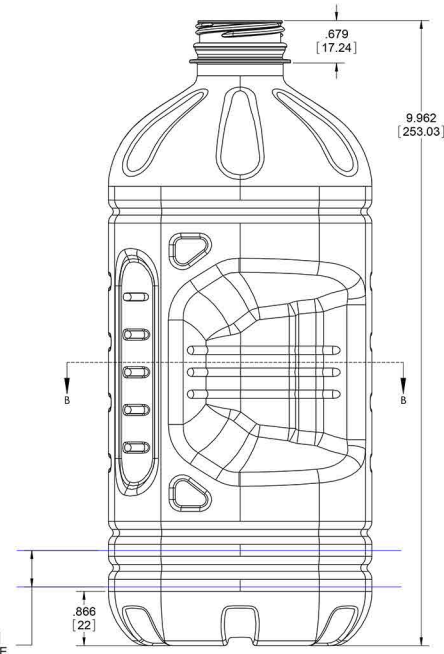
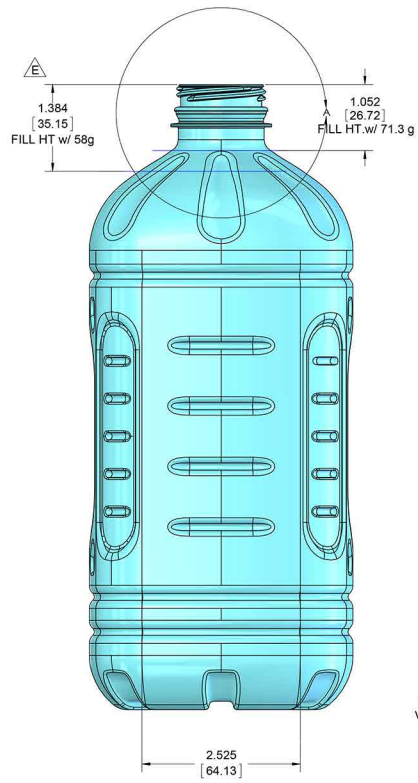
# WE HAVE A PRODUCT FOR YOU



Part #	68W66S
Capacity	64 oz.
Color	Clear
Material	PET
Neck Finish	358DBJ
Neck Width	38mm
BPA Free	Yes
FDA Approved	Yes
Case Pack	88 ea.
Pallet Pack	792 ea. (9 Cases)



REVISIONS			
REV.	DESCRIPTION	DATE	APPROVED
A	wawa logo moved to top of label panel	2/6/2008	SCOTT M. 12.11.08
B	WAWA LOGO REMOVED	12/11/2008	SCOTT M. 12.11.08
C	BOTTLE REDESIGN FOR 64OZ MAX HT 10"	3/20/2009	
D	ADDITIONAL FEATURES ADDED & GRIP SHAPE CHANGES APPROVED FOR MANUFACTURE 4/20/09	4/24/2009	CROMPTON 1.10.09
E	added 58g preform volume calculations	1/15/2015	K.D.L.



**OPTIONAL 58g DBJ PREFORM FILL DATA**  
 FILL POINT VOLUME = 1992.8ml / 64.00fl oz  
 OVERFLOW VOLUME= 1931.6 / 65.31 fl oz  
 PROPOSED PREFORM= 1356-11-PD-B-01 ± 58g

FILL POINT VOLUME = 1899.98ml / 64.24 fl.oz.	MATERIAL	PET
OVERFLOW VOLUME = 1920.87ml / 64.95 fl. oz.	PROJ	38mm DBJ
PROPOSED PREFORM = 0579-08-PD-A-00 71.33 gram		
REF. 3D MODEL FILE = 0735_09_BD_C_04		

NOTES:  
 1. DIMENSIONS AND WEIGHT ARE SUBJECT TO CHANGE WITH FINAL VOLUMETRIC CALCULATIONS.  
 2. FINAL VOLUME TOLERANCE TO BE DEFINED BY MFG. DATA.

DATE	1/15/2015
DRAWN	K.SUREN
CHECKED	
ENG APPR	
MFG APPR	
D.A.	

COMMENTS:

PROJECT #09-160  
COLD FILL JUICE

64 OZ PINCH  
58G 38MM DBJ

SITE DWG. NO.  
**D 0735\_09\_BD\_C\_04 E**

SCALE: 2:1 SHEET 1 OF 3