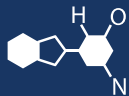


IF YOU...



MIX IT. FILL IT. PACK IT. SHIP IT.

WE HAVE A **PRODUCT** FOR YOU

Part #: 68W6WH

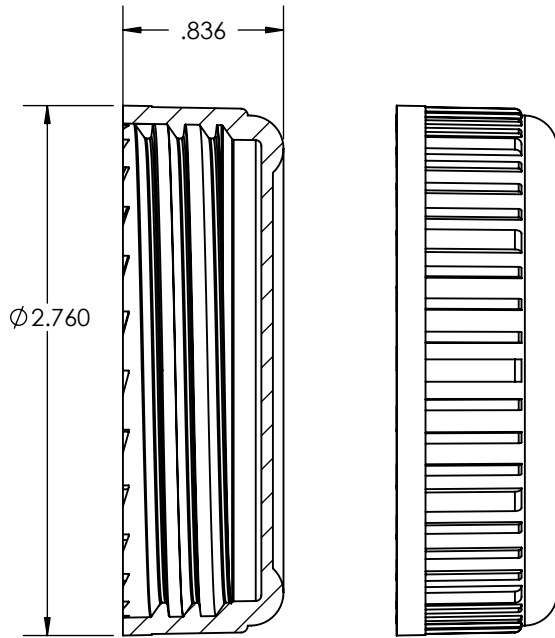
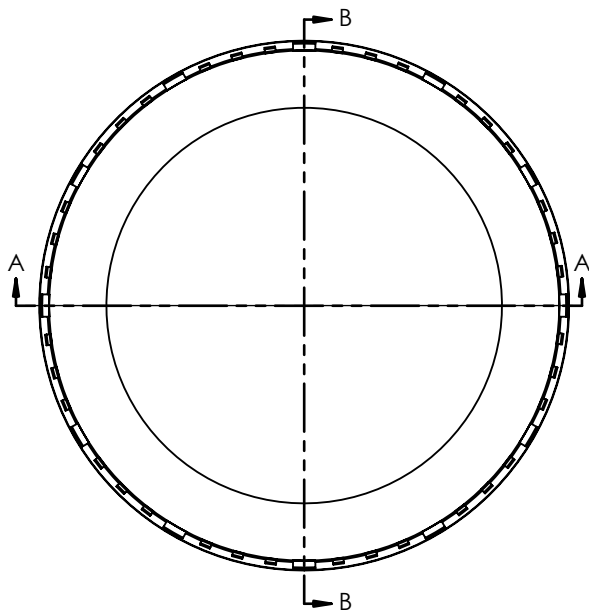
Industrial Caps

63mm 63-485 White Ribbed Heavy Weight Cap, Embossed, w/Dual Liners (1 Piece 3-Ply Foam Liner & HIS TE Liner for PE)



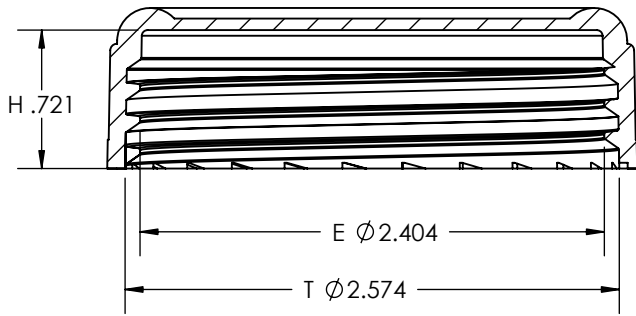
The
CARYCOMPANY
Est. 1895

1195 W. Fullerton Ave. | Addison, IL 60101 | T: 630.629.6600 | F: 630.629.3690 |

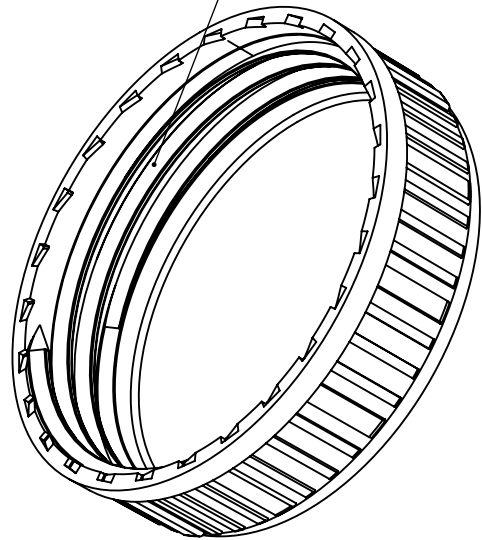


SECTION B-B

6 THREADS PER INCH
.167 LEAD 2 TURNS



SECTION A-A



		DIMENSIONS ARE IN INCHES TOLERANCES: FRACTIONAL \pm ANGULAR: MACH \pm BEND \pm TWO PLACE DECIMAL $\pm .015$ THREE PLACE DECIMAL $\pm .008$		NAME	DATE	<p>The CARY COMPANY Est. 1895</p>		
		MATERIAL polypropylene copoly		DRAWN	PRS			4/15/10
		FINISH		CHECKED				
NEXT ASSY	USED ON			ENG APPR.				
APPLICATION		DO NOT SCALE DRAWING		MFG APPR.				
				Q.A.			SIZE A	
				COMMENTS:		DWG. NO.	REV.	
						63-485 SL L		
						SCALE:1:1	WEIGHT:	
						SHEET 2 OF 2		