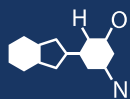


# IF YOU...



MIX IT. FILL IT. PACK IT. SHIP IT.

# WE HAVE A **PRODUCT** FOR YOU

Part #: 68W70P

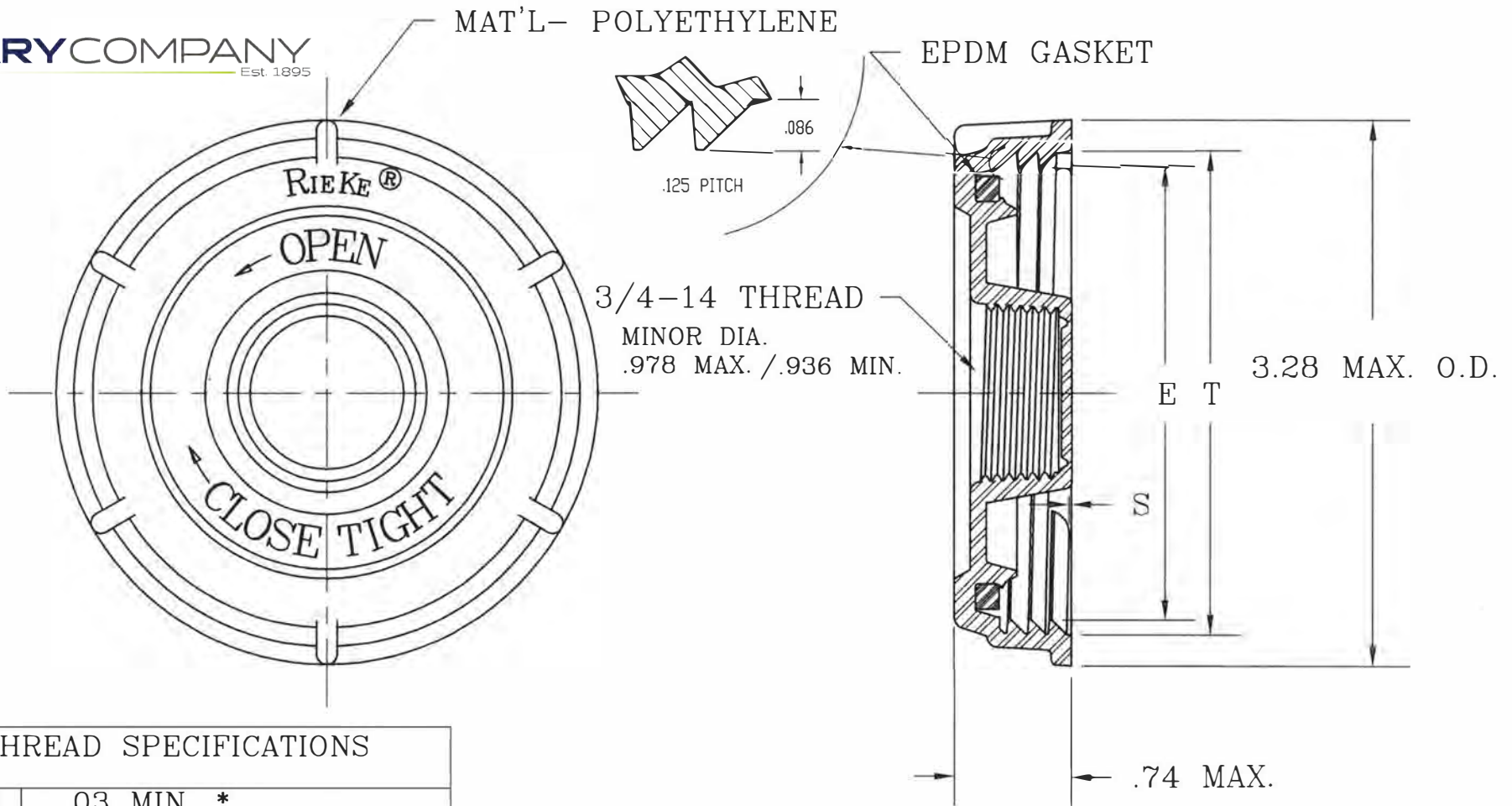
Plastic Lightweight Economy Jugs

5 Gallon (20L) Natural Plastic Tight Head Container  
w/Cap, 70mm (8TPI), Closed Vent Stem



The  
**CARY**COMPANY  
Est. 1895

1195 W. Fullerton Ave. | Addison, IL 60101 | T: 630.629.6600 | F: 630.629.3690 |



THREAD SPECIFICATIONS	
S	.03 MIN. *
T	2.767 MIN.
E	2.650 MAX / 2.613 MIN.
TPI	8 THREADS PER INCH

NOTE: MATERIALS USED MEET  
FDA REQUIREMENTS

NOTE: THIS IS NOT A SHOP DRAWING

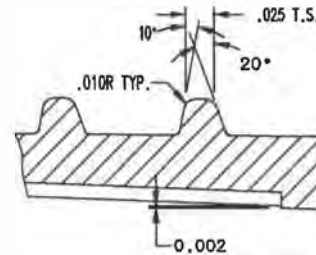
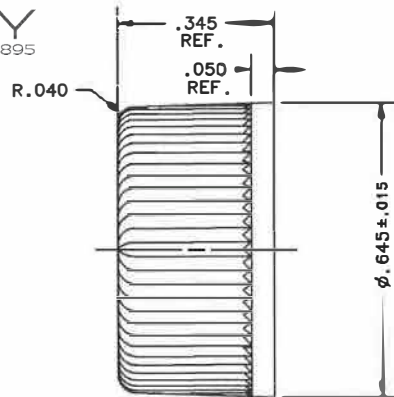
\* MAX. DIM. NOT APPL. SINCE LENGTH OF  
CAP WILL LENGTHEN "S" WITHOUT EFFECTING ENGAGEMENT

BREAK ALL SHARP EDGES WITH 1/64" RADIUS, UNLESS OTHERWISE SPECIFIED	DATE	DRAWN BY					DETAIL NAME	FS-70 SCREW CAP	
	3-8-89	GMB					TOOL ASSY. NAME		
		CHECKED					PRODUCT		
	THE FOLLOWING TOLERANCES APPLY UNLESS OTHERWISE SPECIFIED:	SCALE	JLH					DRAWING NUMBER	28000018
ANGLES	±1/4"	APPROVED	A	REDRAWN FOR CLARITY	3-8-89	GMB	FOR		DETAIL NUMBER
HUNDRETH	±.015		CHANGE NUMBER	CHANGE	DATE	BY	MATERIAL	SEE NOTATIONS ABOVE	TEMPER
THOUSANDTH	±.002								FS-70

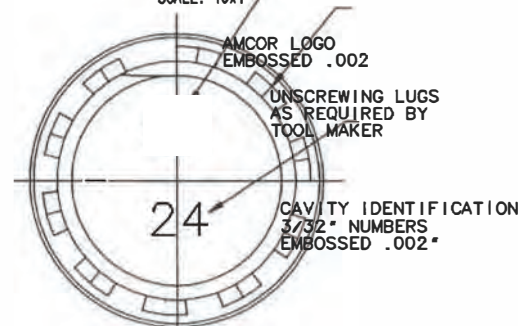
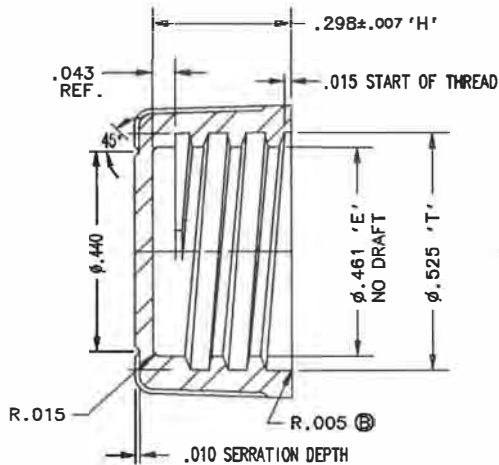
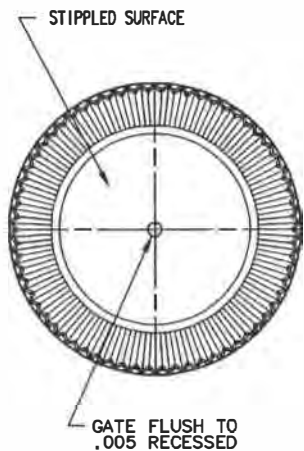
REV	REVISION DESCRIPTION	BY/DATE
A	REVISED TO MATCH 15109	D.D. 6-23-10
B	ADDED R.005 UPDATED TITLE BLOCK	D.D. 8-23-10



SERRATION DETAIL  
66 EQUALLY SPACED,  
SCALE: 20x1



THREAD CONTOUR  
12 T.P.I.  
SCALE: 10x1



**NOTE:**

- 1) TOLERANCES APPLY TO THE AVERAGE OF TWO MEASUREMENTS TAKEN 90° APART ON DIAMETERS
- 2) ALL DIMENSIONS APPLY AS MOLDED.
- 3) THIS CLOSURE WILL FIT EITHER G.P.I. OR S.P.I. FINISHES.
- 4) THIS CLOSURE WILL BE LINED PER CUSTOMER SPEC.
- 5) ESTIMATED WEIGHT: 0.72 GRAMS
- 6) REFERENCE #15109



ACTUAL SIZE

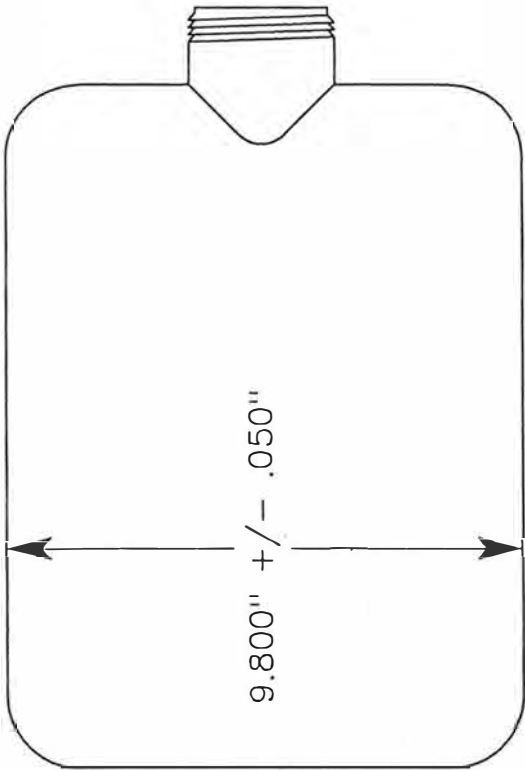
MC - PP
NFC -
SC -
CAW -

DIMENSIONS ARE IN INCHES.

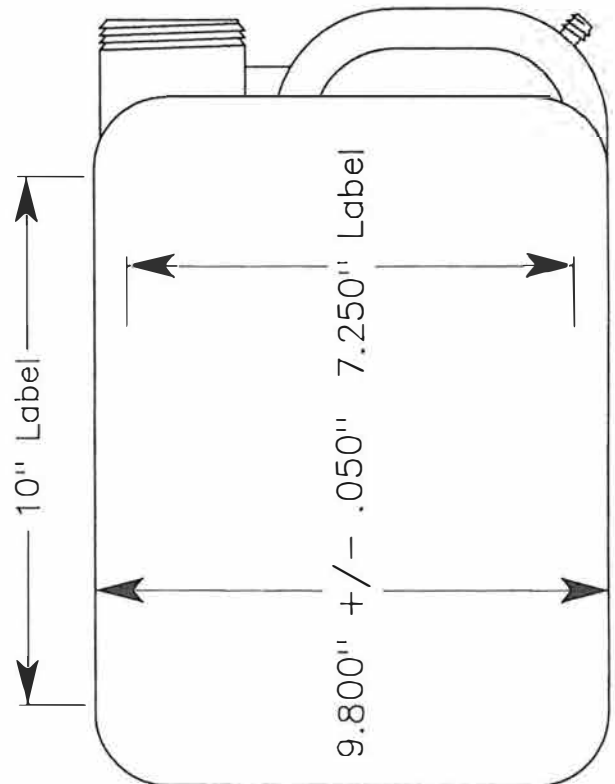
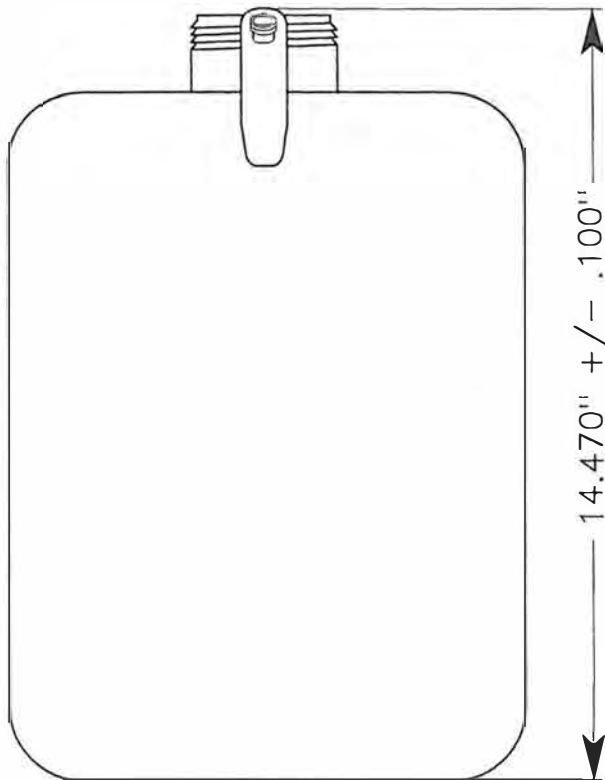
TOLERANCES UNLESS OTHERWISE SPECIFIED:  
DECIMALS ±0.008

TITLE: 13/425 RIBBED CLOSURE - LINED			
CUSTOMER: STOCK			
DRAWN BY: D.D.	DATE: 10-9-09	CHECKED BY: DFY	
PROJECT No. -	SCALE: 4x1	DWG: B-12696	REV. B

2024 05 20 10:00 AM  
CARY.COM



Overflow 5.37 Gallons



Do Not Scale Drawing