

IF YOU...



MIX IT. FILL IT. PACK IT. SHIP IT.

WE HAVE A PRODUCT FOR YOU



Part #	68W83P
Neck Width	83mm
Neck Finish	83-400
Cap Liner	PS22 .020 Pressure Seal Polystyrene Foam Printed Liner
Color	White
Material	PP
Case Pack	500 ea.
Pallet Pack	17,500 ea. (35 Cases)
Case Weight	15 lbs.
Case Dimensions	20.25" x 13.875" 15.5"
FDA Approved	Yes

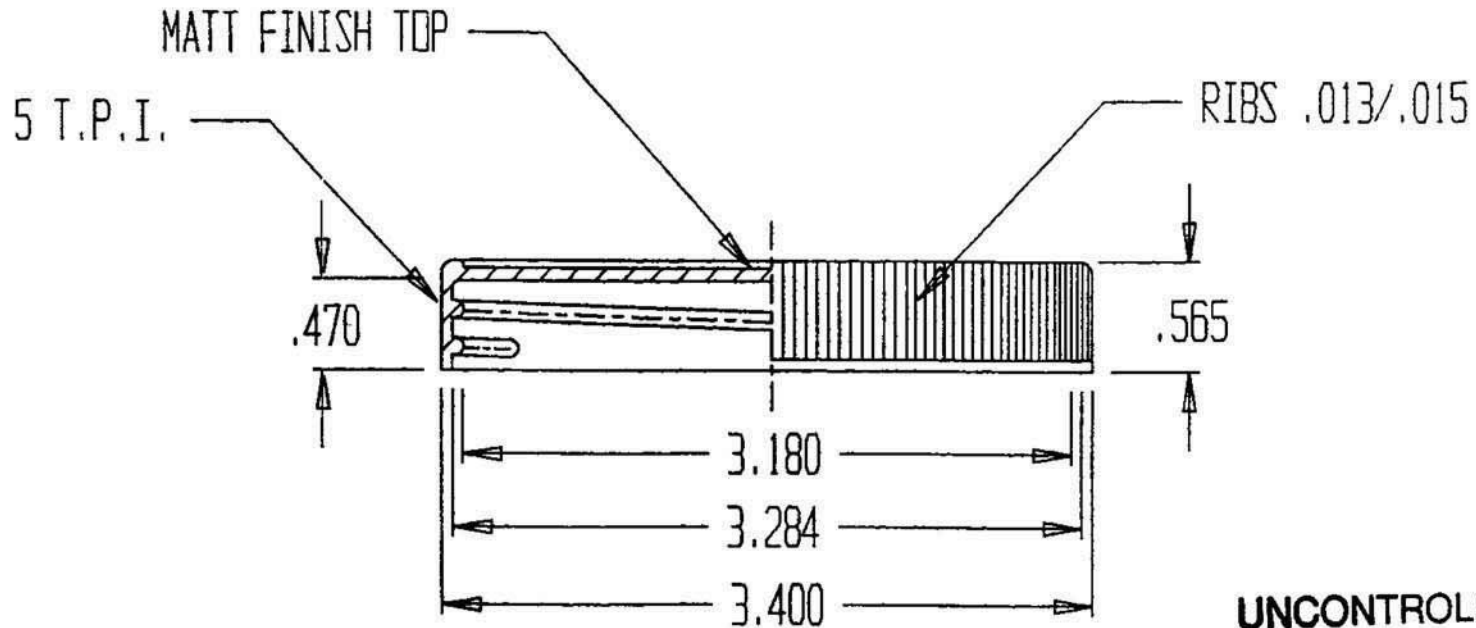
REVISIONS

REV.	DATE	APPROVAL	DESCRIPTION



Supplied By: **The Cary Company**
 Ph: 630-629-6600
 www.thecarycompany.com

APPROVED
 (Signature)



UNCONTROLLED COPY

"T"	"E"	"H"	"A"	"B"
3.284	3.180	.470	3.400	.565
MATERIAL: POLYPROPYLENE				
WEIGHT: 11.2 GRAMS "AVERAGE"				

R.M.83 M.M./400 CAP		
68W83P		
TOLERANCE: +/- .010	DRAWN BY: P.D.T.	
SCALE: FULL	DATE: 7-5-94	DRAWING NO. C-4016