

# IF YOU...



MIX IT. FILL IT. PACK IT. SHIP IT.

# WE HAVE A **PRODUCT** FOR YOU

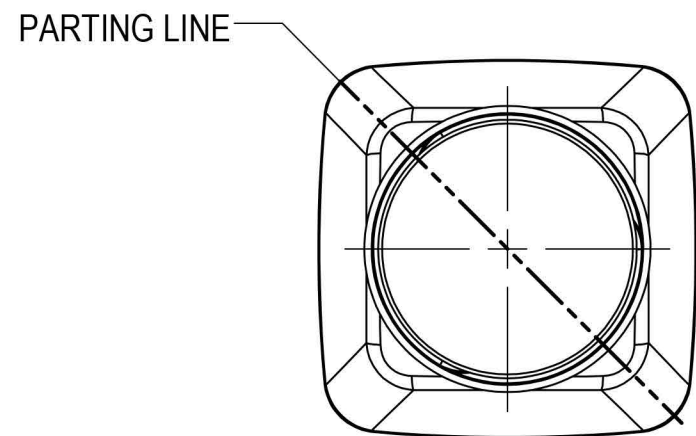
Part # 68W8WH

---

8 oz. Clear PET Plastic Tamper Evident WH  
Square Bottle, 38mm 358DBJ

---

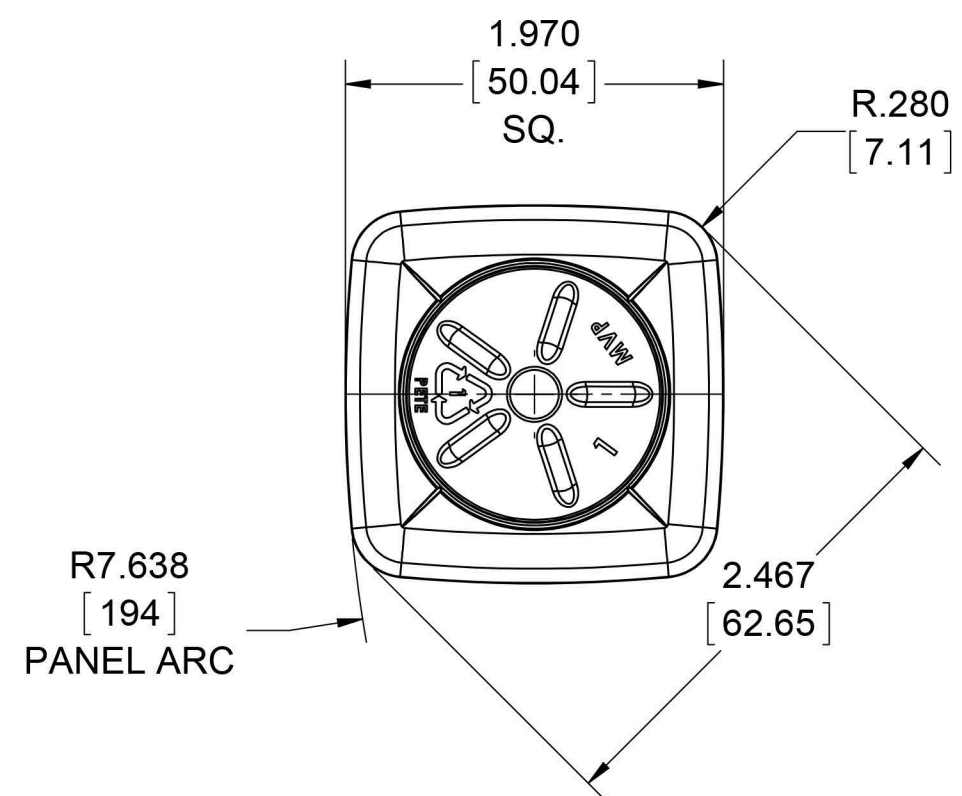
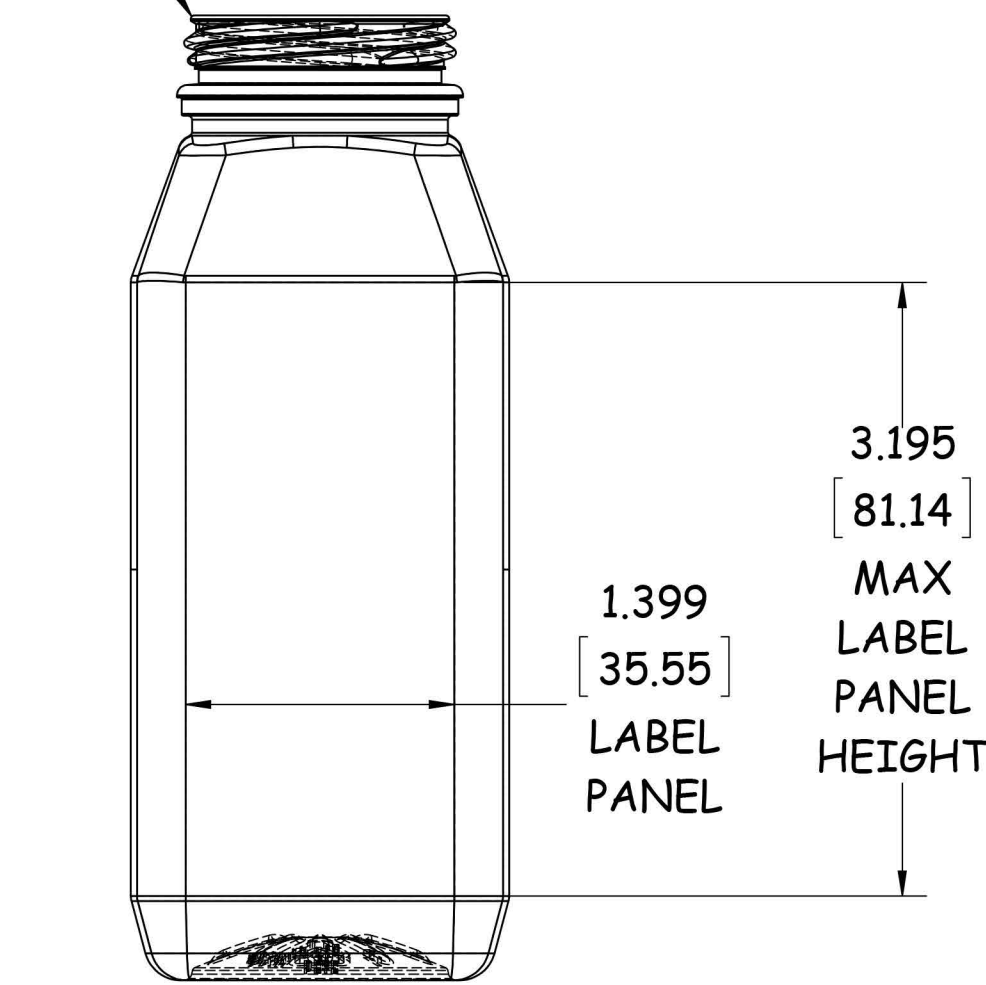
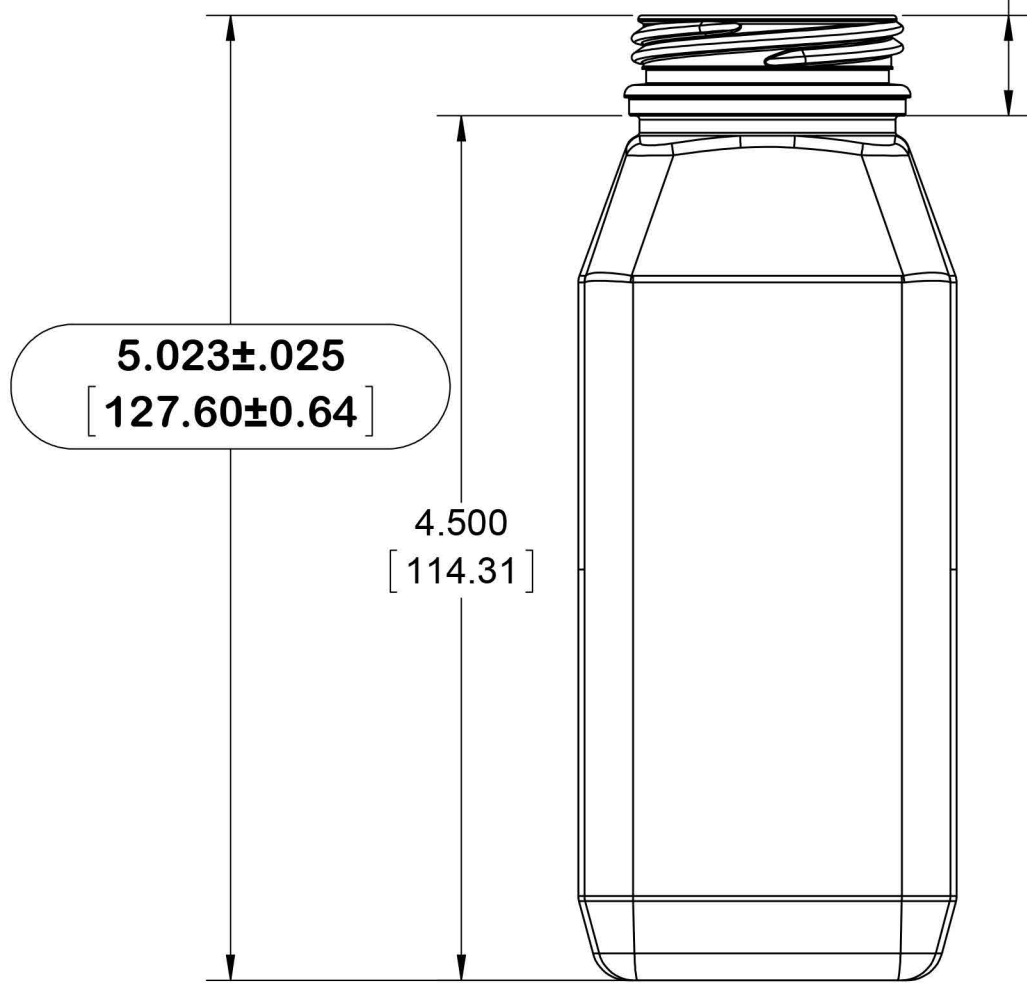
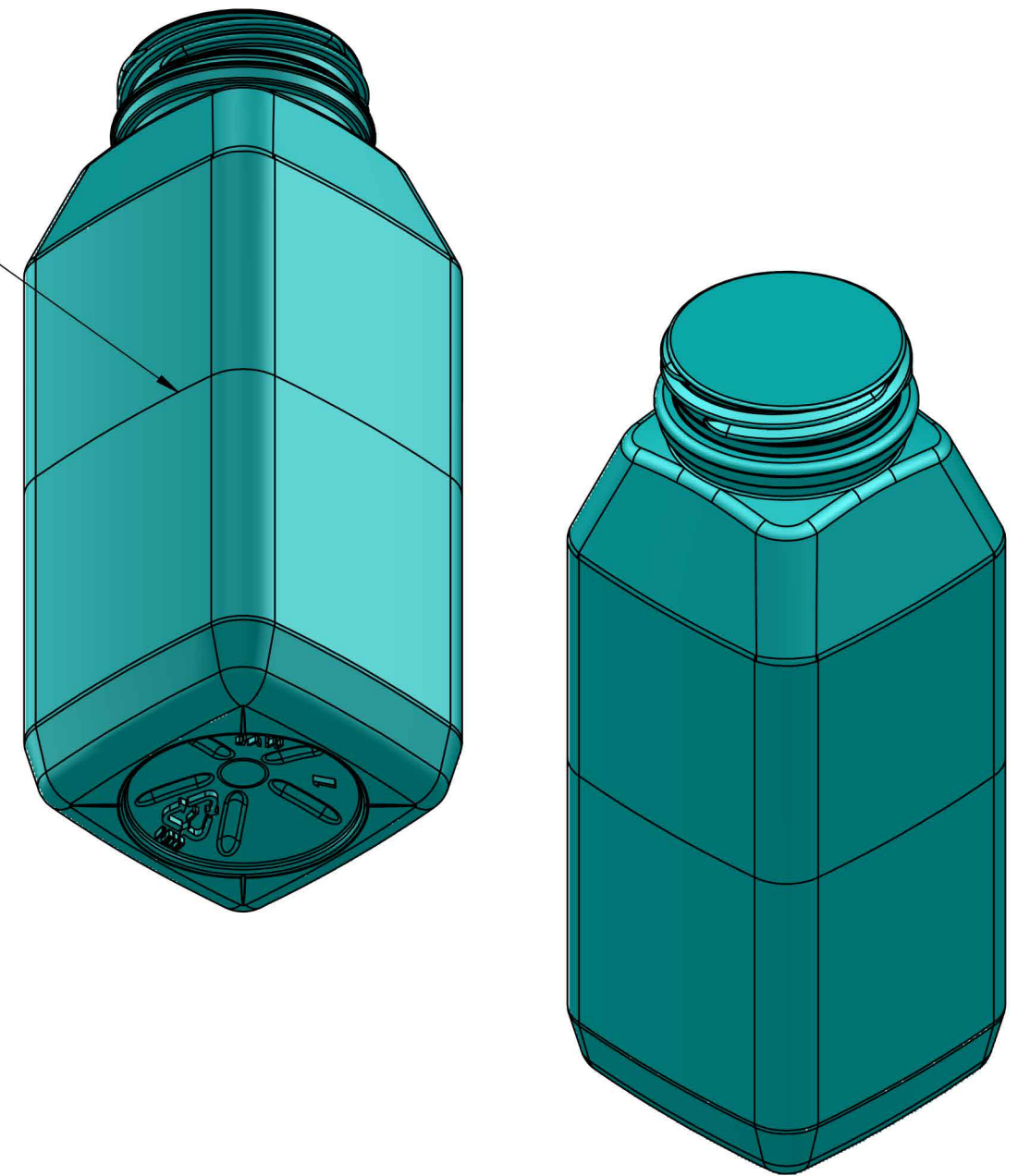




LABEL PANEL PERIMETER  
7.159-INCHES

.523  
[13.28]  
8 FL.OZ.  
FILL POINT  
with 23g PREFORM

38MM DBJ  
PORTOLA N358015C



The  
**CARY COMPANY**  
Est. 1895

FILLPOINT VOLUME= 8.0-FL.OZ. / 236.6-ML		MATERIAL	PET
OVERFLOW VOLUME = 8.31-FL.OZ. / 245.8 -ML		FINISH	38MM DBJ
PROPOSED PREFORM	1723-13-PD-B-05 23-GRAMS		
REF. 3 D MODEL FILE	2123-15-BD-C-00		
DRAWN	K.D.LUFKIN	DATE	12-19-14
CHECKED			
ENG APPR.			
MFG APPR.			
Q.A.			
COMMENTS:		<i>Plastics.</i> TITLE: <b>8 oz SQ.</b>	
PROJECT #14-158	SIZE <b>C</b>	DWG. NO. 2123-15-BD-C-00	REV
	SCALE: 1:1		SHEET 2 OF 3