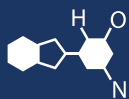


IF YOU...



MIX IT. FILL IT. PACK IT. SHIP IT.

WE HAVE A **PRODUCT** FOR YOU

Part #: 68WB1G

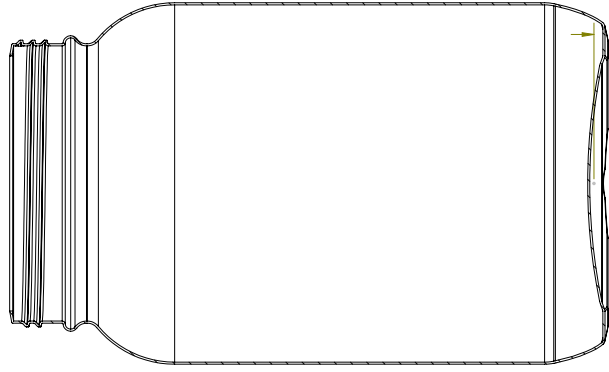
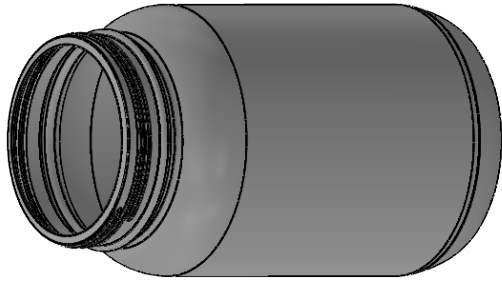
Plastic Wide Mouth Jars

1 Gallon Black HDPE Plastic Wide Mouth Jar,
120mm 120-400, 120 Grams

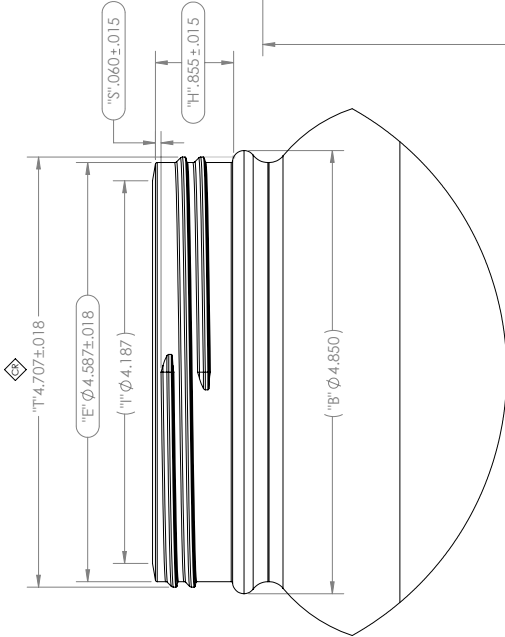
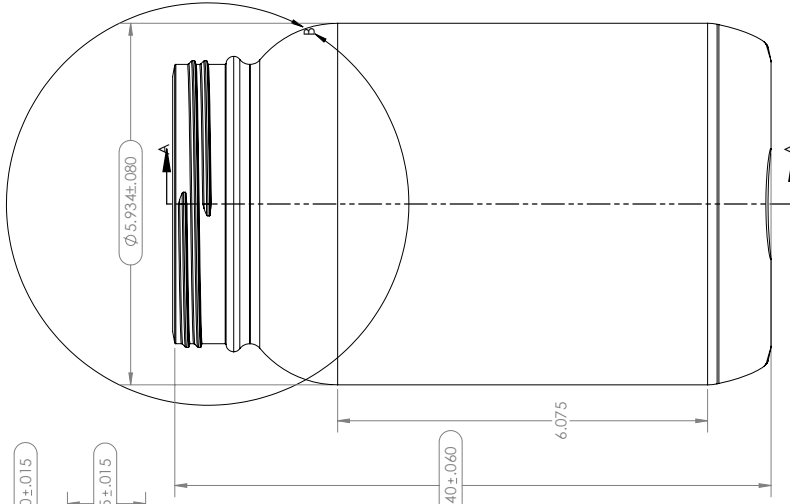


The
CARYCOMPANY
Est. 1895

1195 W. Fullerton Ave. | Addison, IL 60101 | T: 630.629.6600 | F: 630.629.3690 |

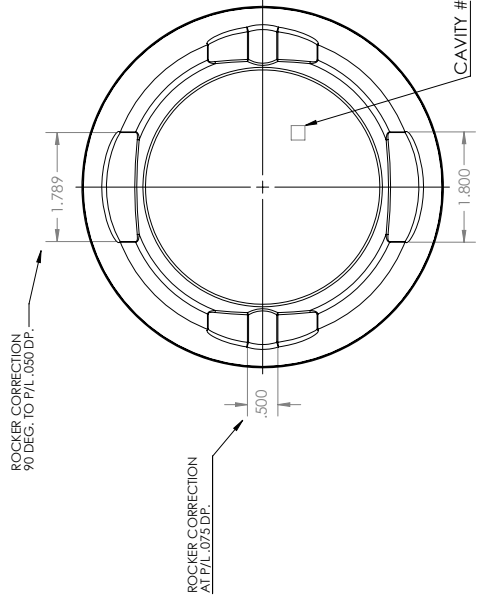


SECTION A-A
SCALE 1 : 1.5



DETAIL B
SCALE 1 : 1

FINISH SPECS:
M120SP400 FINISH MODIFIED "H"
"M" STYLE THREAD
2 TURNS OF THREAD
5 T.P.I. / .200 PITCH



ROCKER CORRECTION
90 DEG. TO P/L .050 DP.

ROCKER CORRECTION
AT P/L .075 DP.

- DIMENSIONS OR NOTES MARKED WITH A \diamond DENOTE CRITICAL CHARACTERISTICS TO BE MONITORED
- DIMENSIONS OR NOTES MARKED WITH A \square INDICATE CHARACTERISTICS TO BE MONITORED DURING PRODUCTION ONLY
- ALL DIMETER DIMENSIONS MARKED WITH \diamond OR \square SHALL BE DETERMINED BY AVERAGING THE MEASUREMENTS AT PARTING LINE AND 90 DEGREES FROM PARTING LINE
- REFERENCE ONLY DIMENSIONS CONTAINED IN ()
- MINIMUM CONTAINER WALL THICKNESS
- CONTAINER TOP LOAD REQUIREMENT TO BE LBS. MINIMUM AT 1/4" DEFLECTION
- MATERIAL HDPE
- TARGET WEIGHT 120 +/-5 GRAMS
- TARGET CAPACITY 132.87 +/-1.5 FL. OZ.
- OVERFLOW CAPACITY
- MEASUREMENTS TAKEN 24 HOURS AFTER MOLDING.

The **CARY COMPANY**
Est. 1895

REV	DESCRIPTION	DATE	BY	DATE	DESCRIPTION	DATE	BY
A	UPDATED OVERALL HEIGHT DIM	2/18/21	ZMF				
DRAWN BY	DATE	CHECKED BY	DATE	PROPERTY AND CONFIDENTIAL			
LCB	10/10/2019			DRWG. NO.	277PD	SCALE 1:1	SHEET 1 OF 1
				TITLE	1 GALLON WIDEMOUTH ROUND		REV. A
				PRODUCT DESCRIPTION	PRODUCT DRAWING		