

# IF YOU...



MIX IT. FILL IT. PACK IT. SHIP IT.

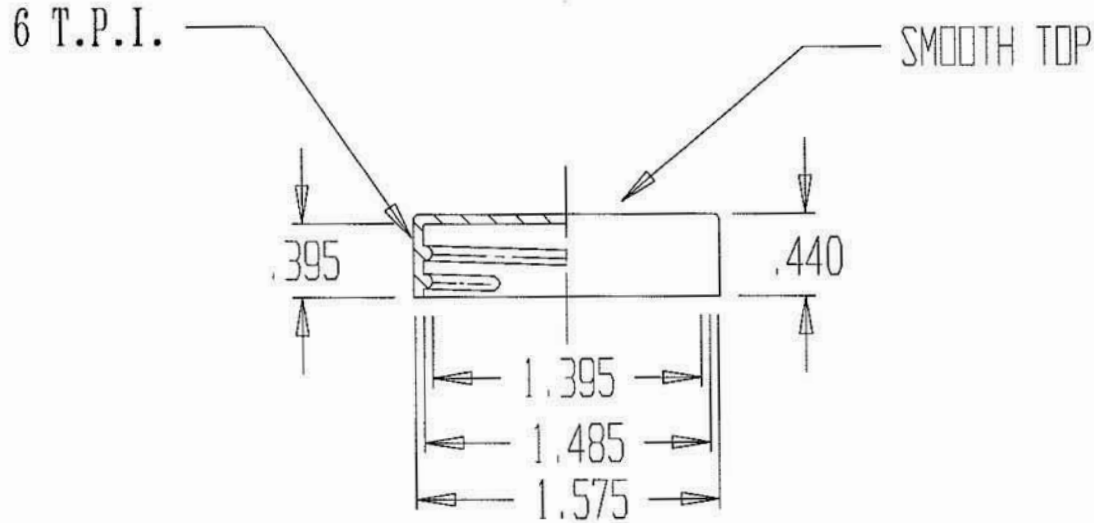
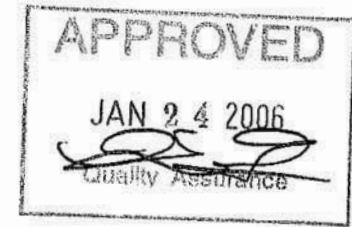
# WE HAVE A PRODUCT FOR YOU



Part #	68WB38
Neck Width	38mm
Neck Finish	38-400
Cap Liner	PS22 .020 Pressure Seal Polystyrene Foam Printed Liner
Color	Black
Material	PP
Case Pack	2,900 ea.
Pallet Pack	101,500 ea. (35 Cases)
Case Weight	31.5 lbs.
Case Dimensions	20.5" x 13.625" x 12.65"
FDA Approved	Yes

### REVISIONS

REV.	DATE	APPROVAL	DESCRIPTION
1	1-24-06	G.G.	WEIGHT



**UNCONTROLLED**

"T"	"E"	"H"	"A"	"B"
1.485	1.395	.395	1.575	.440

MATERIAL: POLYPROPYLENE

WEIGHT: 2.7 GRAMS (+/- 1 GRAM)

"S" 38 M.M./400 CAP



Supplied By: **The Cary Company**  
Ph: 630-629-6600  
www.thecarycompany.com

TOLERANCE: +/- .010	DRAWN BY: P.D.T.
SCALE: FULL	DATE: 3-7-96
DRAWING NO. C-1008	