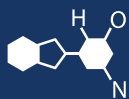


# IF YOU...



MIX IT. FILL IT. PACK IT. SHIP IT.

# WE HAVE A **PRODUCT** FOR YOU

Part #: 68WB85

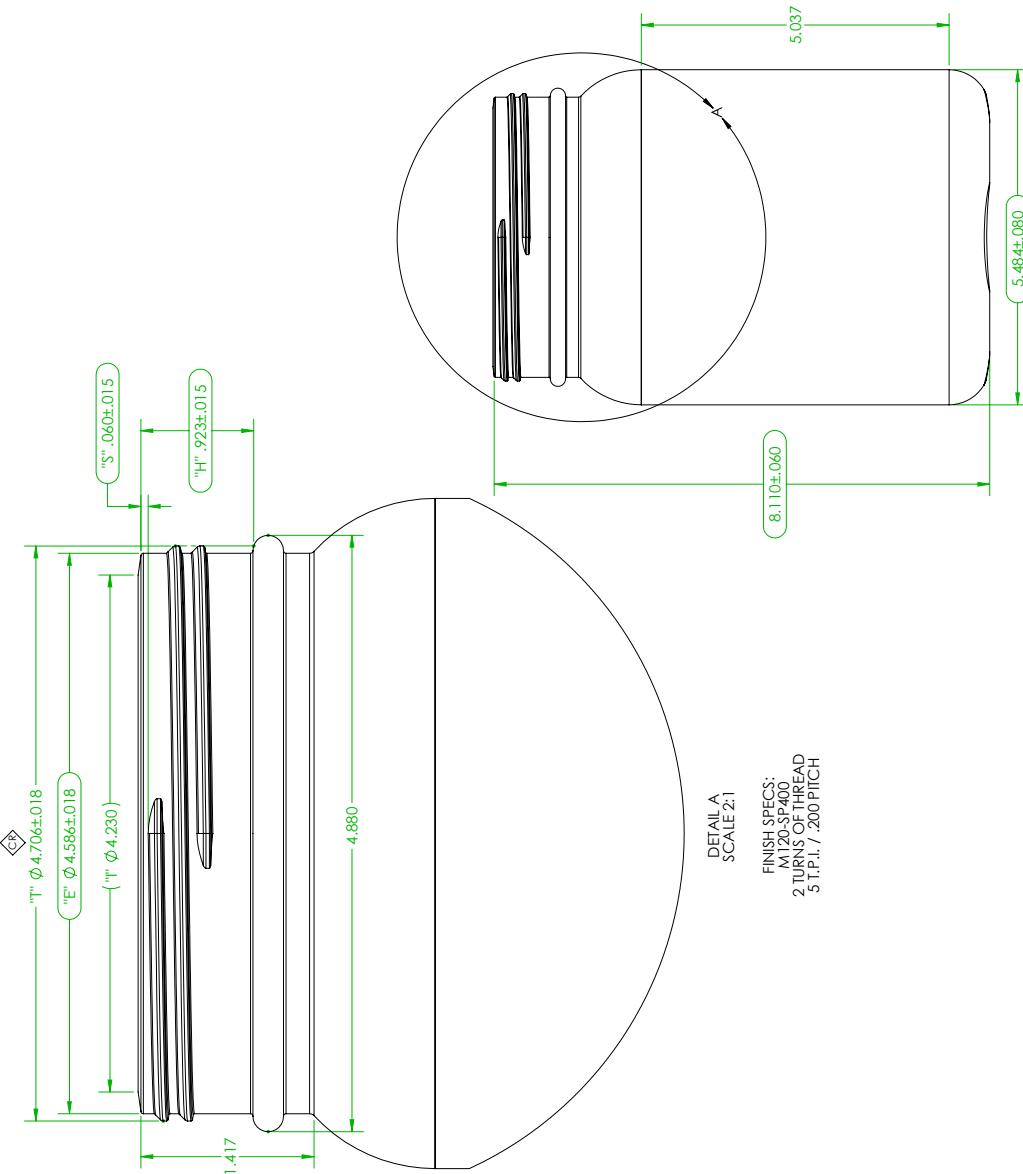
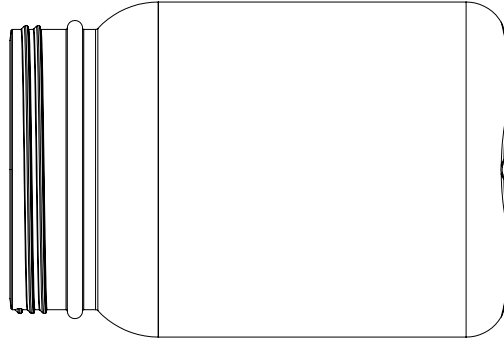
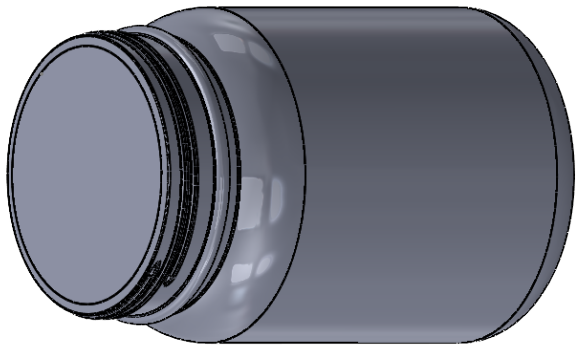
Plastic Canisters

85 oz. Black HDPE Plastic Canister,  
120mm

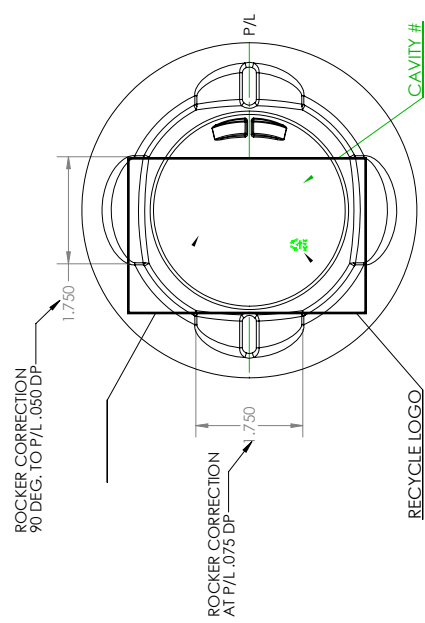


The  
**CARY**COMPANY  
Est. 1895

1195 W. Fullerton Ave. | Addison, IL 60101 | T: 630.629.6600 | F: 630.629.3690 |



DETAIL A  
SCALE: 1:1  
FINISH SPECS:  
M120-SP-400  
2 TURNS OF THREAD  
5 T.P.I. / .200 PITCH



1. DIMENSIONS OR NOTES MARKED WITH A  $\diamond$  DENOTE CRITICAL CHARACTERISTICS TO BE MONITORED DURING PRODUCTION.
2. DIMENSIONS OR NOTES MARKED WITH A  $\square$  DENOTE CHARACTERISTICS TO BE MONITORED DURING PRODUCTION.
3. ALL DIAMETER DIMENSIONS MARKED WITH  $\diamond$  OR  $\square$  SHALL BE DETERMINED BY AVERAGING THE MEASUREMENTS AT PARTING LINE AND 90 DEGREES FROM PARTING LINE.
4. REFERENCE ONLY DIMENSIONS CONTAINED IN ( ).
5. MINIMUM CONTAINER WALL THICKNESS: .012".
6. CONTAINER TOP LOAD REQUIREMENT TO BE TBD LBS. MINIMUM AT 1/4" DEFLECTION.
7. MATERIAL: HDPE
8. TARGET WEIGHT: 115 +/- 3 GRAMS.
9. OVERFLOW CAPACITY: 94.14 +/- 1.01 FL. OZ. (CAD CALCULATED)
10. MEASUREMENTS TAKEN 24 HOURS AFTER MOLDING.

TITLE:	2500CC 120MM WIDEMOUTH ROUND
DESCRIPTION:	PRODUCT DRAWING
DRWG. NO.:	289PD
SIZE:	C
SCALE:	SCALE 2:3
SHEET:	1 OF 1
REV.:	

DRAWN BY:		CHECKED BY:		DATE	
MS	6/16/21	ZMF	6/17/21		

BY:		DATE	

PROPRIETARY AND CONFIDENTIAL	