

# IF YOU...



MIX IT. FILL IT. PACK IT. SHIP IT.

# WE HAVE A **PRODUCT** FOR YOU

Part #: 68WBC4

---

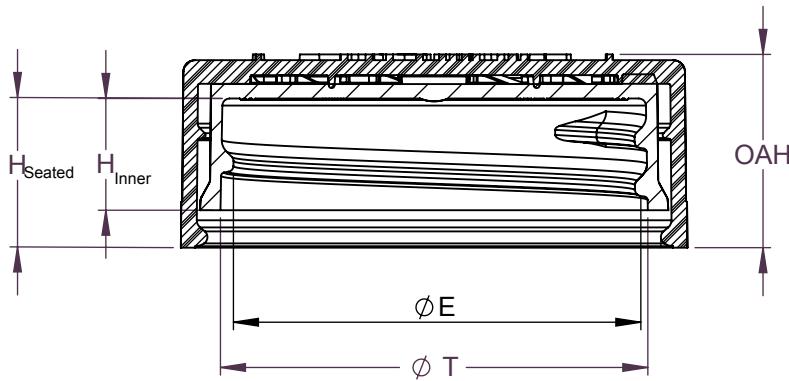
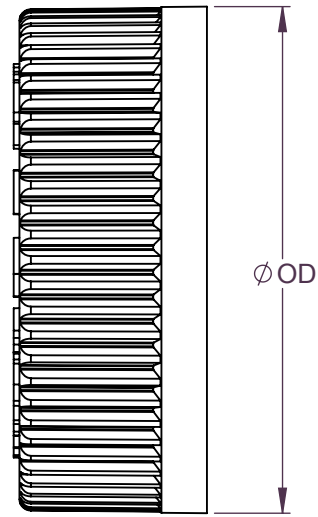
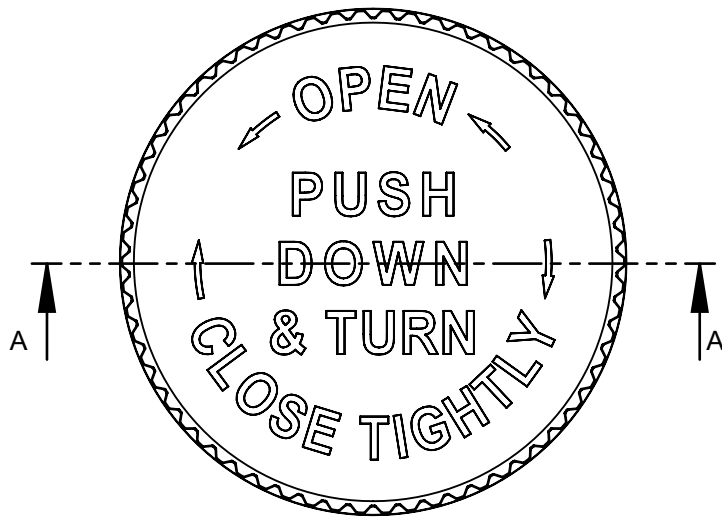
---



---

The  
**CARY**COMPANY  
Est. 1895

1195 W. Fullerton Ave. | Addison, IL 60101 | T: 630.629.6600 | F: 630.629.3690 |



SECTION A-A  
SCALE 3 : 2

.167 PITCH - 6 THREADS PER INCH  
380° FULL DEPTH THREAD

REFERENCE	TOLERANCE	DIMENSION	UNITS
E	±0.010 [0.25]	1.396 [35.46]	in [mm]
T	±0.010 [0.25]	1.488 [37.80]	in [mm]
H (Seated)	REFERENCE	0.521 [13.23]	in [mm]
H (Inner)	±0.008 [0.20]	0.388 [9.86]	in [mm]
OD	±0.013 [0.33]	1.760 [44.70]	in [mm]
OAH	±0.011 [0.28]	0.671 [17.04]	in [mm]
PART WEIGHT	± 0.7	7.1	g

STATIC TORQUE RECOMMENDATION  
17-26 in-lbs  
THIS REQUIREMENT MAY VARY DEPENDING  
UPON BOTTLE MATERIAL, NECK FINISH, AND  
CAPPING EQUIPMENT

DRAWING TYPE : CUSTOMER

REPLACES DRAWINGS:  
C-8024

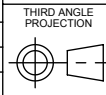
DIMENSIONS ENCLOSED IN ( )  
INDICATE REFERENCE  
DIMENSIONS AND NO TOLERANCE  
LIMITS ARE ESTABLISHED

TOLERANCES UNLESS OTHERWISE SPECIFIED

DIMENSION (inches)	TOLERANCE	DIMENSION (mm)	TOLERANCE
0-0.787	±0.006	0-20	±0.152
0.788-1.181	±0.008	21-30	±0.203
1.182-2.756	±0.012	31-70	±0.305
2.757-3.937	±0.016	71-100	±0.406
3.938-5.096	±0.020	101-150	±0.508
5.097-7.874	±0.024	151-200	±0.610
7.875-9.843	±0.032	201-250	±0.813

ANGULAR TOLERANCE ± 2°

The  
**CARY COMPANY**  
Est. 1895



DISTRIBUTION  
CODE

D

DRAWING NAME

38-400 CRC ASSM  
PDT EMBOSS

DRAWING NUMBER

CQA - 10021

DRAWN BY.

BDG

4/29/2016

MATERIAL

POLYPROPYLENE

ENG APPR.

BDG

2/1/2017

MODEL NUMBER

PM-10161 38-400 CRC ASSM

QA APPR.

ACP

2/1/2017

SCALE

1:1

SHEET SIZE

11in\*8.5in

SHEET

1 of 3

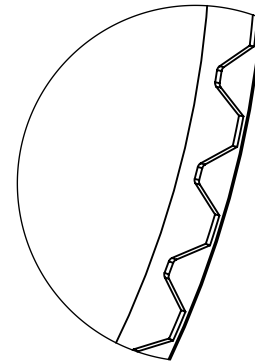
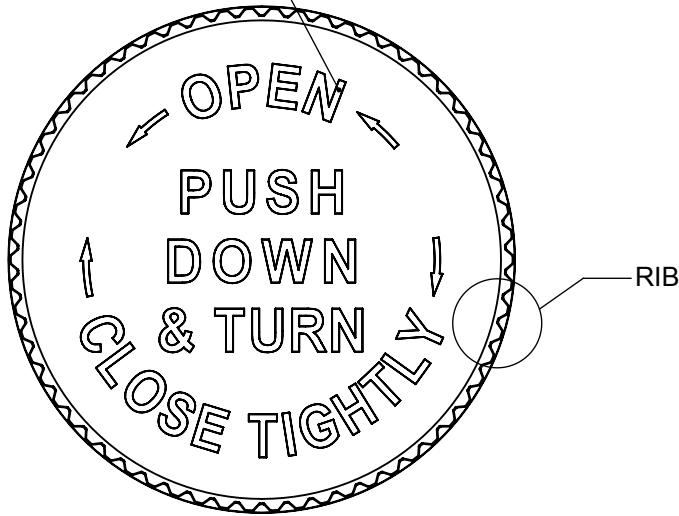
REV.NP

04.AA

THE CLOSURE DIMENSIONS  
DEPICTED ARE THOSE WHICH HAVE GENERALLY BEEN  
FOUND TO BE FUNCTIONAL BASED ON INDUSTRY  
EXPERIENCE BECAUSE OF VARIABILITY IN GLASS AND  
PLASTIC CONTAINER FINISHES, EACH CLOSURE/FINISH  
SYSTEM SHOULD BE INDIVIDUALLY EVALUATED AND  
TESTED TO ENSURE IT MEETS APPLICABLE  
PERFORMANCE CRITERIA. SEE QUALITY ASSURANCE  
SPECIFICATIONS FOR ADDITIONAL INFORMATION.

DATE	REV	N/P	DESCRIPTION	ENG	DRWN
01/30/17	04	AA	DRAWING FORMAT UPDATED. ADDED H(SEATED) AS REFERENCE DIMENSION	BDG	BDG

INSTRUCTIONS RAISED



DETAIL RIB  
SCALE 6 : 1

(62) EQUISPACED RIBS

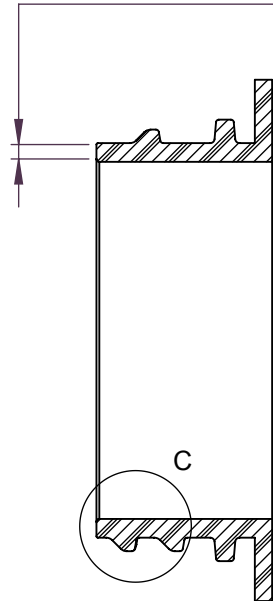
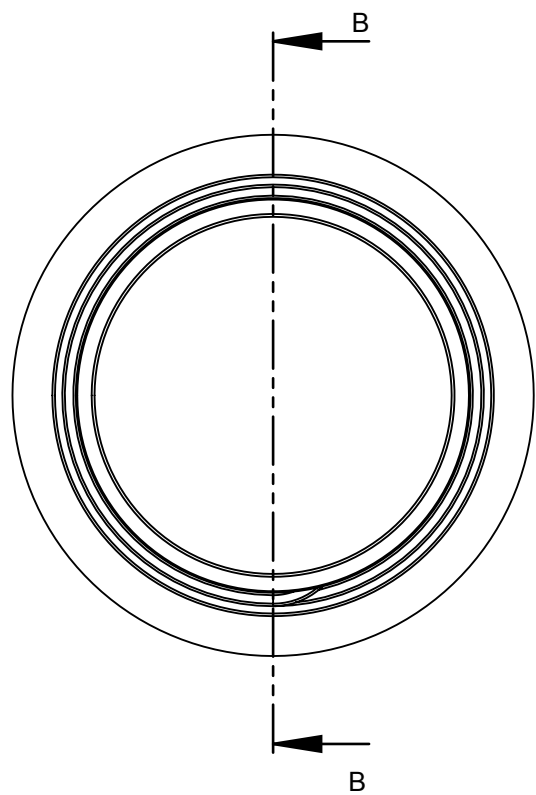
DRAWING TYPE : CUSTOMER			
REFERENCES:		DIMENSIONS ENCLOSED IN ( ) INDICATE REFERENCE DIMENSIONS AND NO TOLERANCE LIMITS ARE ESTABLISHED	
TOLERANCES UNLESS OTHERWISE SPECIFIED			
DIMENSION (inches)	TOLERANCE	DIMENSION (mm)	TOLERANCE
0-0.787	±0.006	0-20	±0.152
0.788-1.181	±0.008	21-30	±0.203
1.182-2.756	±0.012	31-70	±0.305
2.757-3.937	±0.016	71-100	±0.406
3.938-5.096	±0.020	101-150	±0.508
5.097-7.874	±0.024	151-200	±0.610
7.875-9.843	±0.032	201-250	±0.813
ANGULAR TOLERANCE ± 2°			

The **CARY COMPANY**  
Est. 1895

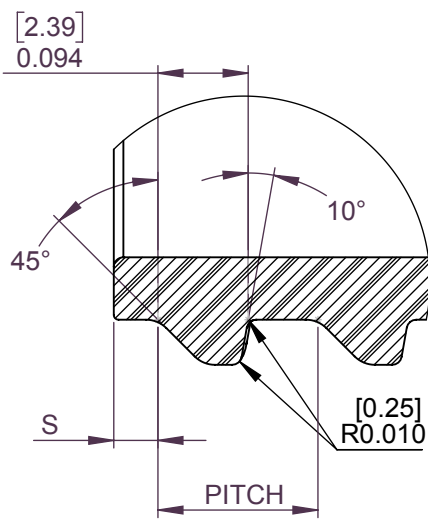
THE CLOSURE DIMENSIONS DEPICTED ARE THOSE WHICH HAVE GENERALLY BEEN FOUND TO BE FUNCTIONAL BASED ON INDUSTRY EXPERIENCE BECAUSE OF VARIABILITY IN GLASS AND PLASTIC CONTAINER FINISHES. EACH CLOSURE/FINISH SYSTEM SHOULD BE INDIVIDUALLY EVALUATED AND TESTED TO ENSURE IT MEETS APPLICABLE PERFORMANCE CRITERIA. SEE QUALITY ASSURANCE SPECIFICATIONS FOR ADDITIONAL INFORMATION.

THIRD ANGLE PROJECTION	DISTRIBUTION CODE <b>D</b>	DRAWING NAME <b>38-400 CRC ASSM PDT EMBOSS</b>			
		DRAWING NUMBER <b>CQA - 10021</b>			
DRAWN BY.	BDG	4/29/2016	MATERIAL <b>POLYPROPYLENE</b>		
ENG APPR.	BDG	2/1/2017	MODEL NUMBER <b>PM-10161 38-400 CRC ASSM</b>		
QA APPR.	ACP	2/1/2017	SCALE 1:1	SHEET SIZE 8.5 X 11	SHEET 2 of 3
					REV.NP <b>04.AA</b>

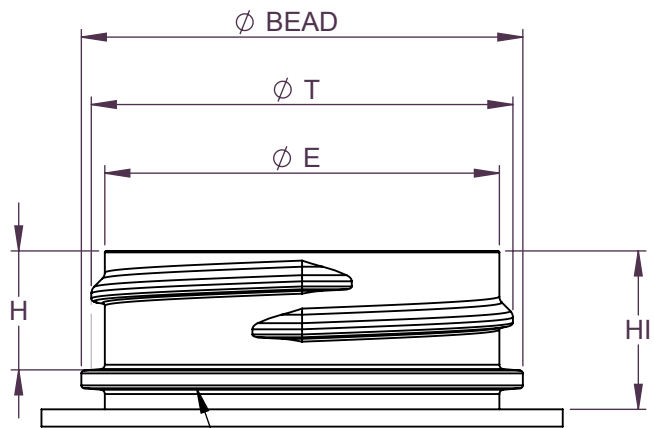
[1.27]  
0.050 MINIMUM FLAT  
RECOMMENDED FOR  
PROPER INDUCTION SEAL



SECTION B-B  
SCALE 3 : 2



DETAIL C  
SCALE 5 : 1  
THREAD DETAIL



BEAD IS NOT REQUIRED  
FOR CHILD RESISTANT  
CLOSURE FUNCTION

REFERENCE	TOLERANCE	UNITS	DIMENSIONS
E	±0.012 [0.30]	in [mm]	1.370 [34.80]
T	±0.012 [0.30]	in [mm]	1.464 [37.19]
I	MINIMUM	in [mm]	1.225 [31.11]
S	±0.015 [0.38]	in [mm]	0.046 [1.17]
H	MINIMUM	in [mm]	0.403 [10.24]
H1	MINIMUM	in [mm]	.550 [13.97]
BEAD	MAXIMUM	in [mm]	1.545 [39.24]
TPI			6
PITCH		in	0.167 [4.24]

THE CLOSURE DIMENSIONS  
DEPICTED ARE THOSE WHICH HAVE GENERALLY BEEN  
FOUND TO BE FUNCTIONAL BASED ON INDUSTRY  
EXPERIENCE BECAUSE OF VARIABILITY IN GLASS AND  
PLASTIC CONTAINER FINISHES. EACH CLOSURE/FINISH  
SYSTEM SHOULD BE INDIVIDUALLY EVALUATED AND  
TESTED TO ENSURE IT MEETS APPLICABLE  
PERFORMANCE CRITERIA. SEE QUALITY ASSURANCE  
SPECIFICATIONS FOR ADDITIONAL INFORMATION.

DRAWING TYPE : CUSTOMER

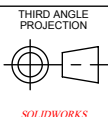
DIMENSIONS ENCLOSED IN ( ) INDICATE REFERENCE DIMENSIONS AND  
NO TOLERANCE LIMITS ARE ESTABLISHED

TOLERANCES UNLESS OTHERWISE SPECIFIED

DIMENSION (inches)	TOLERANCE	DIMENSION (mm)	TOLERANCE
0-0.787	±0.006	0-20	±0.152
0.788-1.181	±0.008	21-30	±0.203
1.182-2.756	±0.012	31-70	±0.305
2.757-3.937	±0.016	71-100	±0.406
3.938-5.096	±0.020	101-150	±0.508
5.097-7.874	±0.024	151-200	±0.610
7.875-9.843	±0.032	201-250	±0.813

ANGULAR TOLERANCE ± 2°  
PROPRIETARY AND CONFIDENTIAL

The  
**CARY COMPANY**  
Est. 1895



DISTRIBUTION  
CODE  
**D**

DRAWING NAME  
**38-400 CRC ASSM  
RECOMMENDED NECK FINISH**  
DRAWING NUMBER  
**CQA - 10021**

DRAWN BY: BDG 4/29/2016

MATERIAL

ENG APPR: BDG 2/1/2017

MODEL NUMBER:

QA APPR: ACP 2/1/2017

SCALE	SHEET SIZE	SHEET	REV/N/P
1:1	11 X 11	3 of 3	04.AA