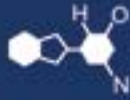


IF YOU...



MIX IT. FILL IT. PACK IT. SHIP IT.

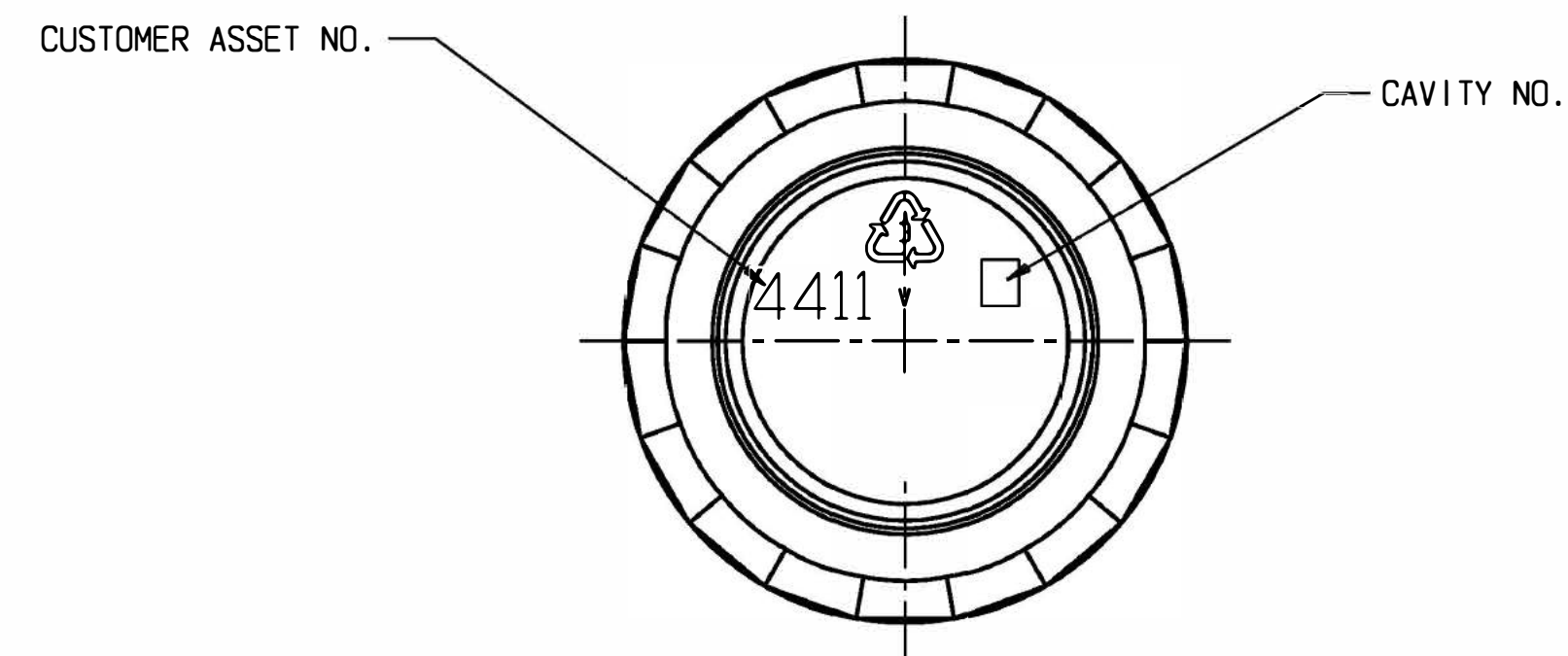
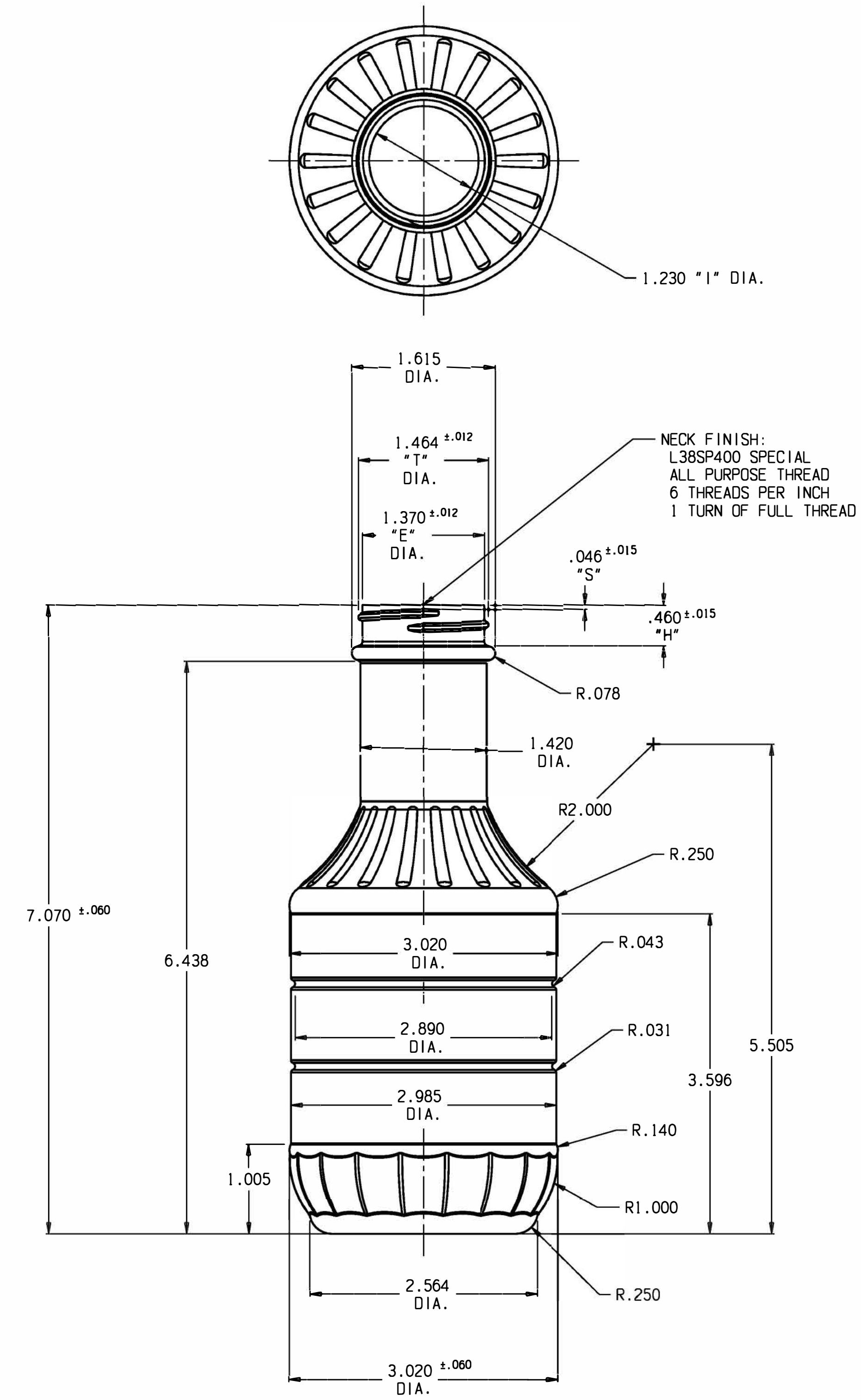
WE HAVE A **PRODUCT** FOR YOU

Part #: 68WBQP



The
CARYCOMPANY
Est. 1895

1195 W. Fullerton Ave. | Addison, IL 60101 | T: 630.629.6600 | F: 630.629.3690 |



NOTES:

- SCALE 1:1
- STANDARD SPI TOLERANCES APPLY
- MATERIAL - PVC
- BOTTLE WEIGHT - 48 ± 2.5 GRAMS
- OVERFLOW CAPACITY - 497 ± 11 CC
16.81 ± .37 FL. OZ.

NOTE:
REF. SPEC. DWG NO. 126-2236-P

W.K.H.	BY	THIS DRAWING IS THE PROPERTY OF: THE CARY COMPANY. AND NOT TO BE REPRODUCED OR DISPOSED OF IN ANY MANNER WITH- OUT THE EXPRESS CONSENT OF SCHALZE TOOL COMPANY. ALL INFORMATION CON- TAINED HEREON IS CONFIDENTIAL AND	The CARY COMPANY Est. 1895
11.16.05	DATE		TITLE 16 OZ RND BARBEQUE
REVISED PER SAMPLE BOTTLE: UPPER RIB APPEARANCE, 2ND CIRCULAR RIB LOCATION SPEC. WAS 50% ADDED ASSET NO.	REVISIONS	TOLERANCES UNLESS OTHERWISE NOTED	RESIN
A	LTR	FRACTIONS +/- 1/32 X.X +/- 0.1 X.XX +/- 0.02 X.XXX +/- 0.003 X.XXXX +/- 0.0005 NECK FINISH DIM. +/- 0.002 DEGREES +/- 0.5 DEG.	INCHES PLOT DATE 11.17.05 COMP. FILE 7345-S TO BE RUN BY: SHEET 1 OF 1 SHRINK DIA. HT NECK CHK BY B. STOCKTON DATE 10-25-05 DRAWN BY W. HEIMKE DATE 10-25-05
			DWG. NO. 7345-SIA